



# NEW PRODUCTS

2023





# INFLATABLE BOATS

GIBSY "ALU" SERIES INFLATABLE BOAT ALUMINIUM-MAGNESIUM ALLOY HULL



## GIBSY "ALU" SERIES INFLATABLE BOAT ALUMINIUM-MAGNESIUM ALLOY HULL

### GIBSY "ALU" 250-270-310 INFLATABLE BOAT

5 ANNI SUL TESSUTO  
5 YEARS ON FABRICS



CE



New range of inflatable boats with **single-layer hull in painted ALUMINIUM AND MAGNESIUM alloy and tubulars in 0.9 mm MEHLER PVC thermo welded fabric (1100 DEN)**. Ultra light while maintaining good performance, at the same time, they move effortlessly and without stressing the davits of your boat. The wide tubulars give greater stability and protection against splashes, facilitating approaching maneuvers and ensuring stability during disembarkation.

Each boat is equipped with three lifting points: one on the bow and two on the transom.  
Walking surface painted in white (RAL 9003) with artic grey (RAL 9001) non-slip finishings.

Technical features	Gibsy 250 "ALU"	Gibsy 270 "ALU"	Gibsy 310 "ALU"
Length	2.50 m	2.70 m	3.10 m
Width	1.49 m	1.49 m	1.49 m
Tubular's diameter	42 cm	42 cm	42 cm
Buoyancy chambers	3	3	3
Weight	38 Kg	41 Kg	49 Kg
Persons capacity	2	2+1	3+1
Suggested power max HP	4 hp	6 hp	9.9 hp
Maximum power KW/HP - short shaft	3,9 - 5	5,6 - 7,5	11,25 - 15
Stowed dimensions	220x100x33 cm	240x105x35 cm	280x105x35 cm
Type-approval design category CE	C	C	C

#### STANDARD EQUIPMENT

- Pair of oars
- Removable aluminium seat board
- Pump
- Repairing kit
- Owner's manual

#### EXTRA EQUIPMENT

- Front bag "Gibsy Bag"
- Inflatable boat cover
- Seat cushion "Gibsy Seat Bag"
- Hauling wheels
- Electric pump

	Model	Length m
<b>S00025</b>	Gibsy 250 "ALU" inflatable boat	2.50
<b>S00027</b>	Gibsy 270 "ALU" inflatable boat	2.70
<b>S00031</b>	Gibsy 310 "ALU" inflatable boat	3.10

# GIBSY "ALU-D" SERIES INFLATABLE BOAT WITH DOUBLE-LAYER KEEL AND ALUMINIUM- MAGNESIUM ALLOY HULL

## GIBSY "ALU-D" 250-290-360 INFLATABLE BOAT

 5 ANNI SUL TESSUTO  
 5 YEARSON FABRICS

**CE**

New range of inflatable boats with V-keel, **double floor in painted ALUMINIUM AND MAGNESIUM alloy and tubulars in 0.9 mm MEHLER PVC thermo-welded fabric (1100 DEN)**.

The lightness and the high-performing feature of the aluminum hull allow you to reach high speeds and glide easily, even with a low-displacement engine. Furthermore, the aluminum hull, compared to the fiberglass one, has no osmosis problems or gelcoat defects. Each boat has three lifting points: one on the bow and two on the transom.

GIBSY 360 "ALU-D", unlike the smaller models, is equipped with a comfortable bow locker.

Walking surface painted in white (RAL 9003) with artic grey (RAL 9001) anti-slip finishings.

Technical features	Gibsy 250 "ALU-D"	Gibsy 290 "ALU-D"	Gibsy 360 "ALU-D"
Length	2.50 m	2.90 m	3.60 m
Width	1.40 m	1.55 m	1.56 m
Tubular's diameter	36 cm	42 cm	42 cm
Buoyancy chambers	3	3	3
Weight	44 Kg	54 Kg	72 Kg
Persons capacity	2	4	5+1
Suggested power max HP	4 hp	9.9 hp	20 hp
Maximum power KW/HP - short shaft	3,9 - 5	7,5- 10	18,65 - 25
Stowed dimensions	220x100x35 cm	270x105x37 cm	330x120x48 cm
Type-approval design category CE	C	D	C

**STANDARD EQUIPMENT**

- Pair of oars
- Removable aluminium seat board
- Pump
- Repairing kit
- Owner's manual

**EXTRA EQUIPMENT**

- Front bag "Gibsy Bag"
- Inflatable boat cover
- Seat cushion "Gibsy Seat Bag"
- Hauling wheels
- Electric pump

	Model	Length m
<b>S00125</b>	Gibsy 250 "ALU-D" inflatable boat	2.50
<b>S00129</b>	Gibsy 290 "ALU-D" inflatable boat	2.90
<b>S00136</b>	Gibsy 360 "ALU-D" inflatable boat with bow locker	3.60





# GIBSY "ALU-H" SERIES INFLATABLE BOAT WITH DOUBLE-LAYER KEEL AND ALUMINIUM-MAGNESIUM ALLOY HULL AND NEOPRENE HYPALON FABRIC

## GIBSY "ALU-H" 270-320-380 INFLATABLE BOAT

5 ANNI SUL TESSUTO  
5 YEARSON FABRICS



CE



This new line of inflatable boats with V-keel, double hull in painted ALUMINIUM AND MAGNESIUM alloy and tubulars made of NEOPRENE fabric (HYPALON ORCA 215 for 270-320 models and ORCA 820 for 380 models) is designed for people who want a high-class addition to their boat without giving up great practicality and light weight. The NEOPRENE rubberized fabric outperforms the PVC coated one in terms of durability and is more resistant to UV rays, extreme heat and cold, salt water, acids and alkalis. The aluminum hull's light weight and performance line enable it to glide effortlessly at high speeds, even with a smaller displacement engine. In addition, the aluminum hull has no gelcoat flaws or osmosis issues compared to the fiberglass one. Each inflatable boat has three lifting points: one on the bow and two on the transom. GIBSY 380 "ALU-H", unlike the smaller models, is equipped with a comfortable bow locker. Walking surface painted white (RAL 9003) with non-slip grey neptune finishings (RAL 6021).

Technical features	Gibsy 270 "ALU-H"	Gibsy 320 "ALU-H"	Gibsy 380 "ALU-H"
Length	2.70 m	3.20 m	3.80 m
Width	1.40 m	1.56 m	1.86 m
Tubular's diameter	36 cm	42 cm	45 cm
Buoyancy chambers	3	3	3
Weight	47 Kg	64 Kg	81 Kg
Persons capacity	2+1	4+1	6
Suggested power max HP	6 hp	9.9 hp	20 hp
Maximum power KW/HP - short shaft	5,6 - 7,5	11 - 15	18,65 - 25
Stowed dimensions	250x105x37 cm	300x110x38 cm	350x135x50 cm
Type-approval design category CE	D	C	C

### STANDARD EQUIPMENT

- Pair of oars
- Removable aluminium seat board
- Pump
- Repairing kit
- Owner's manual

### EXTRA EQUIPMENT

- Front bag "Gibsy Bag"
- Inflatable boat cover
- Seat cushion "Gibsy Seat Bag"
- Hauling wheels
- Electric pump

	Model	Length m	Colour
S00152	Gibsy 270 "ALU-H" inflatable boat	2.70	○ artice grey - RAL 9001
S00154	Gibsy 320 "ALU-H" inflatable boat	3.20	○ artice grey - RAL 9001
S00158	Gibsy 380 "ALU-H" inflatable boat with bow locker	3.80	○ ice white - RAL 9003

## STAND UP PADDLE - SUP

SUP CORAL SEA 10.6"



The inflatable PVC "STAND UP PADDLE CORAL SEA 10.6" with the latest drop stitch technology, is designed for any weight and any ability levels. Its high thickness gives a solidity that makes it stable and easy to ride. Ideal to have fun and to get into shape, lightweight with the possibility to be deflated and store in its bag. Its easy portability makes Coral Sea Sup perfect to be carried for holidays and ready for any watersport activity.

Supplied with leash, carrying bag, paddles, repairing kit and manual pump.

**SUGGESTIONS FOR MAINTENANCE:** store it far from sun, deflated and in horizontal position. If stored inflated, release a little pressure and put it in vertical position avoiding to put loads on it.

### Technical features

Length	320 cm
Width	75 cm
Thickness	15 cm
Weight	15 Kg
Inflating pressure	15 PSI

### SUP

● blue  
S01550B

● pink  
S01550P

● red  
S01550R

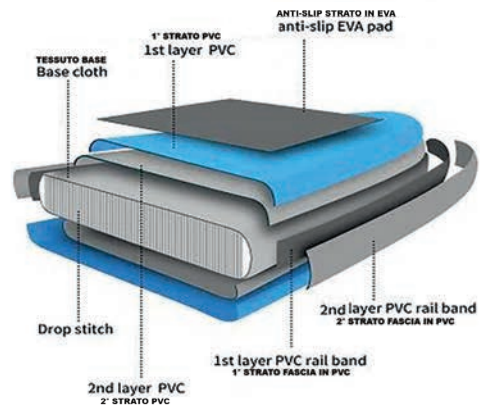
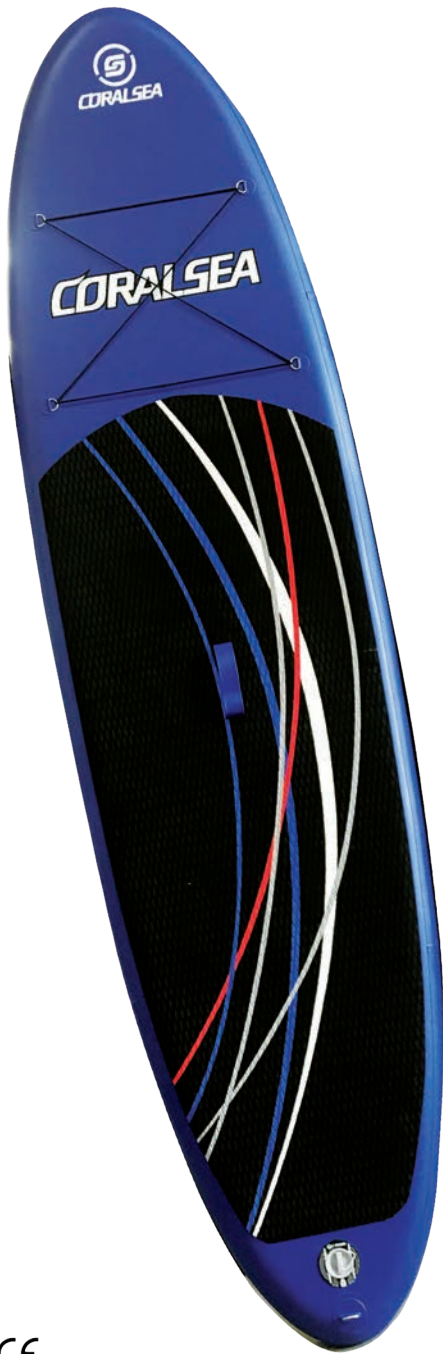
● yellow  
S01550Y

### SPARE PART

**381147** Modular and telescopic aluminium paddle, with parts and blade of plastic material.



SUP WING 10.6"



CE

The inflatable PVC "STAND UP PADDLE WING 10.6" with the latest drop stitch technology, is designed for any weight and any ability levels. Its high thickness gives a solidity that makes it stable and easy to ride. Ideal to have fun and to get into shape, lightweight with the possibility to be deflated and store in its bag. Its easy portability makes WING SUP perfect to be carried for holidays and ready for any watersport activity. **Supplied with leash, carrying bag, paddles, repairing kit and manual pump.**  
**SUGGESTIONS FOR MAINTENANCE:** store it far from sun, deflated and in horizontal position. If stored inflated, release a little pressure and put it in vertical position avoiding to put loads on it.

Technical features

Length	320 cm
Width	82 cm
Thickness	15 cm
Weight	11 Kg
Inflating pressure	12/15 PSI

SUP

● blue  
S01560B

● yellow  
S01560Y

SPARE PART

**381147** Modular and telescopic aluminium paddle, with parts and blade of plastic material.

**SUP SWOOSH 10.6"**



The inflatable PVC "STAND UP PADDLE SWOOSH 10.6" with the latest drop stitch technology, is designed for any weight and any ability levels. Its high thickness gives a solidity that makes it stable and easy to ride. Ideal to have fun and to get into shape, lightweight with the possibility to be deflated and store in its bag. Its easy portability makes SWOOSH SUP perfect to be carried for holidays and ready for any watersport activity.

**Supplied with leash, carrying bag, paddles, repairing kit and manual pump.**

**SUGGESTIONS FOR MAINTENANCE:** store it far from sun, deflated and in horizontal position. If stored inflated, release a little pressure and put it in vertical position avoiding to put loads on it.

**Technical features**

Length	320 cm
Width	82 cm
Thickness	15 cm
Weight	11 Kg
Inflating pressure	12/15 PSI

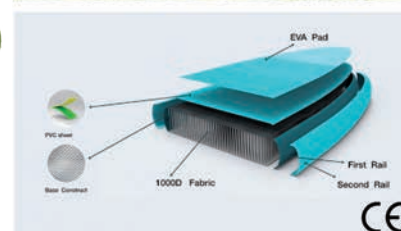
**SUP**

**S01555T** Sup "SWOOSH 10.6". Turquoise colour complete with standard equipments.

**SPARE PART**

**381147** Modular and telescopic aluminium paddle, with parts and blade of plastic material.

**SPINERA "CLASSIC 9.10" SUP WITH KAYAK SEAT**



The inflatable Sup **SPINERA "Classic 9.10"**, made in HDDS (High Density Drop Stitch) with EVA upper pad, was designed to be lightweight, perfect for ladies and boys in particular, but with a maximum load capacity of 80 kg, it is a board that the entire family can enjoy. Its 3m length makes it incredibly maneuverable and allows for quick, simple control.

The SUP Classic 9.10 is supplied with the following equipment: Kayak seat, storage backpack, paddle, pump, center fin and ankle strap.

**Technical features**

Length	300 cm
Width	76 cm
Thickness	15 cm
Max persons capacity up to	80 Kg
Max load	115 Kg
Weight	7,8 Kg

**SUP**

**S01530** Spinera "Classic 9.10" Sup with Kayak seat and standard equipment.

**SPARE PART**

**381147** Modular and telescopic aluminium paddle, with parts and blade of plastic material.



KAYAK

SPINERA SUP-KAYAK



**ONE SINGLE PRODUCT 3-IN-1 FUN: Sup Board - Kayak and Bodyboard\***

If you're having trouble deciding between a SUP and a kayak, you have two choices: go with a SUP and add a kayak seat, or go with the new SPINERA SUPKAYAK!

SPINERA combined SUP + KAYAK into a SUPKAYAK integrating both activities with a new product and adding the function BODYBOARD to the single-seater model!

Two versions are available: single-seater and two-seater.

The peculiarity of the single-seater SUPKAYAK item S02101\* is that the floor can be removed and used as a bodyboard.

Both models are made with a high quality HDDS (High Density Drop Stitch).

Standard equipment:

- Storage backpack
- 2 fins
- Seat for kayak
- Repairing kit.

**Pump and paddle/s ARE NOT INCLUDED.**

SUP - KAYAK

	Model	Load capacity people	Bodyboard	Seats kayak	Dimensions cm	Weight Kg	Floor max pressure psi - bars	External chamber max pressure psi - bars
<b>S02101</b>	SK 10	1	yes	1	305 x 98 x 20	9,8	8 - 0,55	8 - 0,55 (summer period) 12 - 0,80 (winter period)
<b>S02102</b>	SK 12	2	no	2	365 x 98 x 20	12,5	8 - 0,55	8 - 0,55 (summer period) 12 - 0,80 (winter period)

ACCESSORIES

- 580324** "BRAVO 4 ALU-RED" pump continuous flow 800 m/bar.
- 580353** BST 800 inflator with pressure up to 800 m/bar.
- 381142** Pair of aluminium paddles that can be used also as double paddle for kayak, 215 cm long.
- 381144** Paddle for kayak with aluminium alloy handle, lenght 210 cm.
- 381147** Modular and telescopic aluminium paddle, with parts and blade of plastic material.

### KAYAK SPINERA HYBRIS



CE

Hybris series is the new complete all-round touring kayak available in 3 different sizes for all demands: lightweight, easier to carry than kayaks with fixed hull, easily stowable and easy to inflate.

Extremely stable made of reinforced PVC with HDDS (High Density Drop Stitch) high density floor enables stable as well as comfortable getting on and off the kayak during the tour. A smooth underbody tarpaulin offers the best gliding properties on the water.

These features make them ideal for recreational paddling, tours or longer adventure travels.

3 models available:

- Hybris 320 Kayak for 1 person: particularly suitable for recreational paddling with a few equipment.
- Hybris 410 Kayak for 2 persons: suitable for long distances for 2 recreational paddlers or for 1 paddler with multiple equipment.
- Hybris 500 Kayak for 3 persons: suitable for long distances for up to 3 paddlers or 2 paddlers with multiple equipment.

Standard equipment:

- Carrying bag made of 600D polyester
- kayak seat
- 2 fins
- Repairing kit.

**PUMP AND PADDLES ARE NOT INCLUDED.**

#### KAYAK

	Model	Load capacity people	Max flow rate Kg	Dimensions cm	Seats kayak	Chambers air
<b>S02321</b>	Hybris 320	1	115	320 x 90	1	3
<b>S02322</b>	Hybris 410	2	200	410 x 90	2	3
<b>S02323</b>	Hybris 500	3	285	500 x 90	3	3

#### ACCESSORIES

- 580324** "BRAVO 4 ALU-RED" pump continuous flow 800 m/bar.
- 580353** BST 800 inflator with pressure up to 800 m/bar.
- 381142** Pair of aluminium paddles that can be used also as double paddle for kayak, 215 cm long.
- 381144** Paddle for kayak with aluminium alloy handle, length 210 cm.



## ACCESSORIES AND SPARE PARTS FOR INFLATABLE BOATS

### ALUMINIUM SEAT BOARD FOR INFLATABLE BOATS

Aluminium Seat board for Gibsy inflatable boats complete with hooks on tubulars.

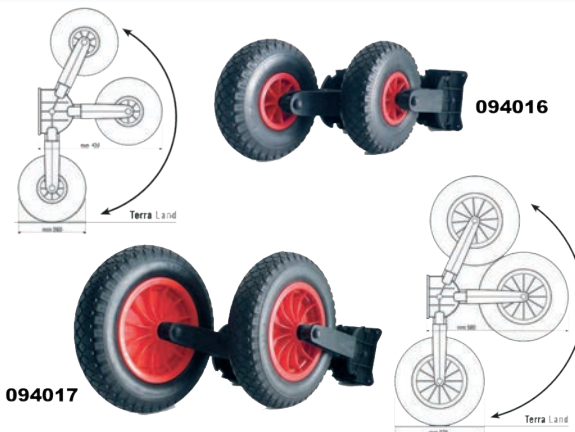
	For GIBSY model m	Length cm
<b>580088</b>	2.50 - 2.70	82
<b>580089</b>	2.90 - 3.60	91,5
<b>580100</b>	3.80	111,5



### HAULING WHEELS

Hauling wheels for inflatable boats and small boats made of corrosion-resistant glass-filled plastic. The wheels are made of perforation-resistant polyurethane foam. They are easy to install, require no maintenance, and can be fixed in three positions. **All tow wheels should be used when pushing and not when pulling.**

	Ø wheel mm	Max load Kg
<b>094016</b>	260	120
<b>094017</b>	370	150



### ALUMINIUM TELESCOPIC PADDLE

Mini telescopic light alloy paddle, with plastic blade and parts high visibility orange colour. Suitable for tenders and life rafts.

	Minimum length cm	Maximum length cm
<b>381141</b>	53	107
<b>381152</b>	63,5	137



### PVC PLATES WITH STEEL RING

Ø mm	○ white	● grey	● black	● blue
120	<b>583342</b>	<b>583343</b>	<b>583344</b>	-
150	<b>583346</b>	<b>583347</b>	<b>583348</b>	<b>583349</b>



### NEOPRENE PLATES WITH STEEL RING

Ø mm	○ white	● grey	● black
120	<b>583350</b>	<b>583351</b>	<b>583352</b>
150	<b>583355</b>	<b>583356</b>	<b>583357</b>



### PVC PLATES WITH STEEL RING

Technical features

Dimensions 150 x 100 mm

● grey	● blue
<b>583360</b>	<b>583361</b>



### AIR PUMPS AND SPARE PARTS



#### "GM5" PUMP

Pump produced with modern technology and concepts that increase efficiency and need less work to inflate.

- The inner aluminium tube is integrated with the outer pump body, making the pump one single piece and preventing ANY air leakage;
- The pressure gauge is located on the lid rather than on the handle, to make it easier to read the air pressure;
- The inflation opening is located on the lid to prevent the tube from kinking during the inflation operation;
- To save space for storage, the handle and base can both be folded up.

	Max flow rate cc	Pressure	Function	Dimensions mm
<b>580325</b>	2 x 2400	1 Bar	inflation/ deflation	286 x 150 x 520



580255 OPTIONAL



#### GE BTP-2 ELECTRIC INFLATOR

GE BTP-2 inflator with special pressure gauge with automatic shut-off of selected pressure. Equipped with a suction air filter that is easy to access for cleaning and/or replacement.

Because it is equipped with a bayonet connection, it is ideal for **inflating and deflating SUP boards**.

**In order to also be able to use the GE BTP-2 for inflating and deflating small inflatable boats, kites and kayaks, an optional spare parts kit (our item 580255) has been created that includes an additional hose and a set of fittings for all the various applications, to be ordered separately.**

Supplied with bag, hose with bayonet connection, power cable with clamps for direct power supply from external 12 V batteries (not included).

#### AIR INFLATOR

##### Technical features

Load capacity	120 l/min
Turbine flow rate	420 l/min
Max pressure	1,2 bar/18 psi
Voltage	12 VDC
Consumption	18 A
Reading scale	bar and psi
Dimensions	295 x 105 x 160 mm

**580365** GE BTP-2 inflator with pressure gauge.

#### HOSE AND ADAPTORS KIT

**580255** Kit consisting of additional hose and fittings that allow inflation of small inflatable boats, kites, and kayaks.

#### GE 25 HP ELECTRIC INFLATOR

GE 25 HP high performance electric inflator, **with integrated Lithium-Iron-Phosphate (LiFePO4) batteries** of the latest generation which guarantees a much longer duration and shorter recharging periods.

Before running out of power, the GE 25 HP can inflate seven 265-liter boards at 1250 mbar.

It is therefore ideal for applications requiring high pressure and large airflow, as well as for outdoor uses where being untethered from a fixed energy source will allow you to enjoy your SUP experience to the fullest and make the most of the inflator batteries' long lifespan.

Switching from the turbine stage (high airflow, low pressure) to the dual compressor stage (reduced airflow, but very high pressure) is automatic. Supplied with bag, tube, universal fittings and internal 12 V DC rechargeable battery.

##### Technical features

Load capacity	450 l/min with turbine (up to 80 mbar – 1.15 psi) 250/l with the compressor (up to 1,5 bar – 22.0 psi)
Max pressure	1,5 bar (22 psi)
Voltage	12 V
Dimensions	370 x 170 x 190 mm
Weight	7 Kg

**580383** GE 25 HP inflator with pressure gauge and automatic stop.







## GE 900 A 230 ELECTRIC INFLATOR

GE 900 and GE 900 A.R.S (Automatic Refilling System) inflators are designed to inflate and deflate products of different dimensions, intended for the most varied applications. They can achieve high performance with large airflow. All with significantly less acoustic impact than comparable models on the market (max 85dB, when it typically exceeds 95dB!). The connections to the inflating and deflating pipes are located on the upper cover, making them very convenient to access in any situation and very easy to travel thanks to the provided shoulder strap.

The GE 900 A.R.S. has an easy-to-use digital display that enables users to select the maximum and minimum pressure requirements for maintaining the inflatable product.

### Technical features

Load capacity	1700 l/min
Max pressure	200 mbar (2.9 PSI)
Voltage	230 V
Maximum input	600 Watt
Dimensions	170 x 225 x h170 (GE 900) 170 x 225 x h220 (GE 900 A.R.S.)

- 580405** GE 900 inflator.
- 580406** GE 900 inflator with integrated A.R.S and digital display for pressure setup.



## VALVE FOR INFLATABLE BOATS

Valve with "push-push" opening that can be used for tubulars as well as inflatable floors, provides a maximum seal thanks to its special silicon gasket. Compact design with ergonomic cap and safety lanyard.

### Technical features

External diameter	62 mm
Internal diameter	37 mm
Built-in dimensions	38 mm

●  
grey  
**583113**

●  
black  
**583114**



## ACCESSORIES FOR ELECTRIC MOTORS TRANSOM MOUNT

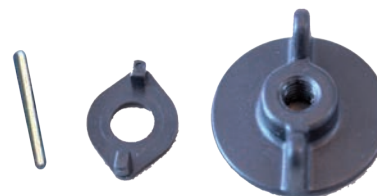
### GIBSUN PROPELLER

	N° blades	Ø mm	Propeller for GIBSUN model
<b>732953</b>	2	230	SM 30 - 40
<b>732955</b>	2	255	SM 48
<b>732958</b>	2	280	SM 58
<b>732960</b>	3	240	SM 30 - 40 - 48
<b>732962</b>	3	260	SM 58
<b>732964</b>	3	280	SMP 86



### GIBSUN PROPELLER KNOB WITH PIN

	GIBSUN propeller knob
<b>753003</b>	SM 30 - 40 - 48
<b>753008</b>	SM 58 - 86



### PIN FOR GIBSUN PROPELLER

	Pin for GIBSUN model	Ø mm	
<b>753020</b>	SM 30 - 40 - 48	3	5
<b>753024</b>	SM 58 - 86	4	5



### GIBSUN FIN

- 753000** Spare nylon fin for GIBSUN engines. For models from SM 30 to SMP 86.



## ACCESSORIES FOR ANCHORS AND CHAINS



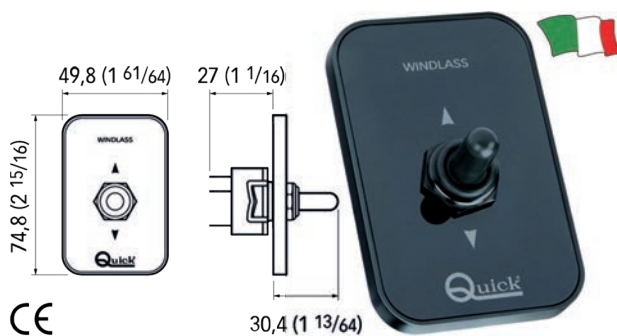
### S.STEEL AISI 316 CHAIN STOPPER

#### Technical features

For chain diameter	8 - 10 mm
Base dimensions	80 x 70 mm

**194164** Chain stopper made of **STAINLESS STEEL AISI 316** that allows to lighten the load of windlass preventing the anchor rode unwanted release while the boat is in use.

## ACCESSORIES AND SPARE PARTS FOR QUICK WINDLASSES AND CAPSTANS

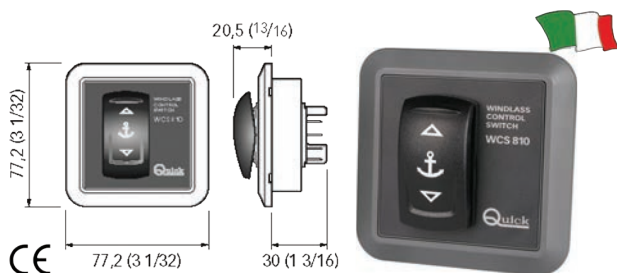


### WCS820 CONTROL BOARD

#### Technical features

Length	74,8 mm
Width	49,8 mm
Protrusion	30,4 mm
Built-in dimensions	27 mm

**036609** WCS820 control board for enabling windlass operations (UP/DOWN), made of special scratch-resistant glossy lexan.



### CONTROL PANEL WCS810

#### Technical features

Length	77,2 mm
Width	77,2 mm
Protrusion	20,5 mm
Built-in dimensions	30 mm

**036611** Control panel for windlass (UP/DOWN).



### SENSOR AND MAGNET CHAINCOUNTER FOR WINDLASS

**036643** Spare magnet and sensor kit for windlass.



### SMART CHC CHAIN COUNTER

#### Technical features

External diameter	59,2 mm
Recessed diameter	52,2 mm
Universal power supply	12/24 V
Protection class	IP67

**036644** Chain counter display for recessed installations compatible with on/off systems and ideal for small boats. Thanks to Smart CHC it is possible to view the chain lowered in meters or feet also directly on the smartphone, being configurable on it (NFC technology) and using a dedicated app. The colored display (TFT 1,44") allows a perfect reading even in super bright light. SMART CHC can be used with all windlasses controlled by DC voltage ON/OFF signals and equipped with a sensor to detect the rotations of the gypsy.  
 iOS compatibility: from iPhone 7 forward (with NFC), iOS13 operating system onwards..  
 Android compatibility: Smartphone with NFC, Android 6 onwards.



## SURFACE CHAIN COUNTER

### Technical features

Dimensions	115 x 115 mm
Thickness	6 mm
Built-in dimensions	25,8 mm
Universal power supply	12/24 V
Protection class	IP67

**036645** The bridge-mounted chain counter is a complete and reliable tool for remotely operating the windlass and checking the length of the lowered chain by means of the high-brightness 3.5" color graphic display. The panel surface is completely made of black tempered glass.

#### General features:

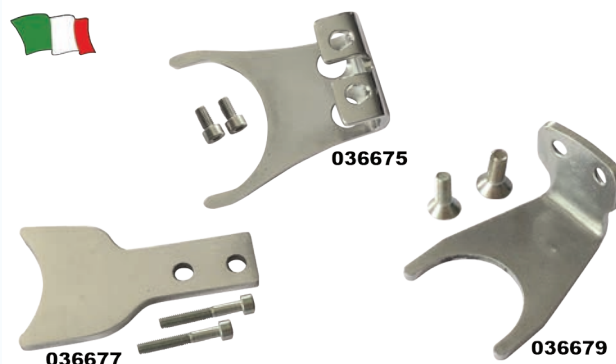
- Automatic descent and up alarm function.
- Anchor weighing function in case of sensor failure.
- Windlass management with auto free fall.
- Display of the lowered chain length, in meters, feet and fathom.
- Multilingual user interface.
- CAN bus Communication Interface.



## CHAIN STRIPPER FOR WINDLASS

Spare chain stripper for QUICK windlass

	Windlass model	Our windlass item number
<b>036675</b>	EAGLE E1	036300 - 036320 - 036330
<b>036677</b>	PRINCE DP1	036395 - 036400 - 036410
<b>036679</b>	RIDER R1	036420 - 036430



## ADAPTER FOR QUICK WINDLASS

Spare adapter for QUICK windlass.

	Model	Windlass from Watt
<b>036905</b>	TG40	300 - 500
<b>036910</b>	TG50	700 - 1000
<b>036915</b>	TG70	1500



## ENGINE FOR QUICK WINDLASS

Spare engine for QUICK windlass.

ENGINE	
Technical features	
Voltage	12 Volt

	Watt	Suggested adapter code
<b>036930</b>	300	036905
<b>036935</b>	500	036905
<b>036937</b>	700	036910
<b>036940</b>	1000	036910
<b>036945</b>	1500	039915



## ACCESSORIES AND SPARE PARTS FOR WINDLASSES AND CAPSTANS



### ANCHORING KIT

Kit composed of polyester rope and calibrated hot galvanised chain with splice.

	Ø rope mm	Rope length m	chain Ø mm	Chain length m
<b>036217</b>	12	50	6	10
<b>036218</b>	14	50	8	10

## STAINLESS STEEL BOW ROLLERS



### FIXED BOW ROLLER

Bow roller made of **STAINLESS STEEL**, suitable to all types of anchors.

	Length mm	Width mm	Height mm	Thickness mm	For anchors Kg	Weight gr
<b>039006</b>	220	56	65	3	7,5	300
<b>039007</b>	270	56	75	3	10	600



### UNIVERSAL BOW ROLLER

#### Technical features

Length	250 mm
Width	56 mm
Height	67 mm
Thickness	3 mm
For anchors	10 Kg
Weight	600 gr

**039024** Universal **STAINLESS STEEL** bow roller suitable for all anchors.



### SELF-LAUNCHING BOW ROLLER

Tilting bow roller made of **STAINLESS STEEL** suitable for anchors type: BRUCE/TREFOIL/CQR/SOC/DELTA/BRITTANY/DANFORTH.

#### BOW ROLLER

	Length mm	Width mm	Height mm	Thickness mm	For anchors Kg	Weight Kg
<b>039036</b>	330	70	100	4	20	3,7
<b>039037</b>	440	70	100	4	20	3,9
<b>039039</b>	490	70	100	4	20	4,5
<b>039038</b>	600	90	100	5	30	6,8

#### ANCHOR LOCKING DEVICE

<b>039004</b>	For items 039036 - 039037 - 039039
<b>039044</b>	039038



### SELF-LAUNCHING BOW ROLLER

Tilting bow roller made of **STAINLESS STEEL** with flap for anchors type: Bruce, Trefoil, CQR, Soc.

#### BOW ROLLER

	Length mm	Width mm	Height mm	Thickness mm	For anchors Kg	Weight Kg
<b>039040</b>	330	70	117	4	10	3
<b>039041</b>	400	70	117	4	15	4,5
<b>039043</b>	495	90	150	5	20	6,5

#### ANCHOR LOCKING DEVICE

<b>039004</b>	For item 039040 - 039041
<b>039044</b>	039043



# MOORING SHOCK ABSORBERS

ACCESSORIES FOR BOW ROLLERS



## SELF-LOCKING BOW ROLLER

**STAINLESS STEEL AISI 316** self-locking bow roller, investment cast mirror polished with **STAINLESS STEEL** pulley and safety U-bolt.

Suitable for Bruce, Force and CQR anchors



	Length mm	Width mm	Height mm	For anchors up to Kg	For chain Ø mm
<b>039060</b>	380	67	196	5 - 10	6-8
<b>039061</b>	480	75	240	15 - 20	8-10
<b>039062</b>	540	78	235	20	10-12

## FIXES BOW ROLLER

Bow roller made of **STAINLESS STEEL** complete with fixing/reinforcement plate.

Suitable for Bruce and Trefoil anchors.



	Length mm	Width mm	Height mm	Thickness mm	For anchors Kg	Weight Kg
<b>039065</b>	530	71	300	5	25	6
<b>039066</b>	630	71	300	5	30	8

## ACCESSORIES FOR BOW ROLLERS

### NYLON PULLEY FOR BOW ROLLERS

Made of reinforced nylon, long endurance.

	Ø mm	Width mm	hole Ø mm
<b>039148</b>	63	42	10
<b>039150</b>	55	48	10
<b>039151</b>	58	54	14
<b>039152</b>	70	69	12
<b>039155</b>	86	48	13



## STEEL SHOCK ABSORBER

### STAINLESS STEEL AND MOLLAFLEX MOORING SPRINGS HEAVY BREAKING LOADS



**039290**



**039291**



**039292 - 039293**  
**039295 - 039296**



**039300**

### PATENTED

HYBRID mooring springs made of **STAINLESS STEEL** and MOLLAFLEX with **high tensile strength**, designed to absorb small and large oscillations caused by sudden bad weather conditions, swells and strong disturbances.

They develop the mooring force in three stages by relieving various stresses and ensuring maximum comfort on board. They provide maximum cushioning safety in all conditions without making any noise or squeaking thanks to Mollaflex elastomer anti-friction inserts. They don't have any parts with welded details, so even if the spring breaks, they still work, protecting the boat.

	Model	Length mm	Weight Kg	For boats tons
<b>039290</b>	MK 45	440	3,50	16
<b>039291</b>	MK 50	440	3,70	20
<b>039292</b>	MK 50 SPECIAL	440	3,70	25
<b>039293</b>	MK 50 SPECIAL FLEX	440	3,70	30
<b>039295</b>	MK 55	470	5,40	90
<b>039296</b>	MK 65	470	5,60	150
<b>039300</b>	MK 90	470	5,80	900



# FENDER PROFILES

STAINLESS STEEL CLEATS

## STAINLESS STEEL CLEATS



### S.STEEL AISI 316 CLEAT "POP-UP" MODEL RECESS FLUSH TO THE DECK

"POP-UP" cleat recessed flush to deck made of STAINLESS STEEL AISI 316.

	Base dimensions mm	Flush hole mm
210880	89 x 31	22
210881	134 x 41	22

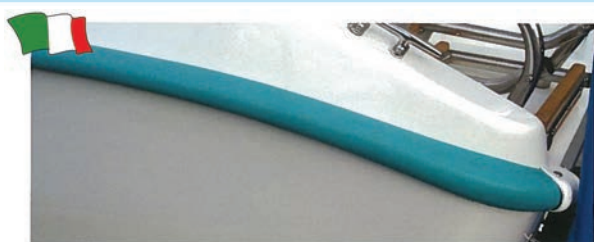
### S.STEEL AISI 316 CLEAT "HEAVY" MODEL

"HEAVY" cleat made of STAINLESS STEEL AISI 316 mirror polished. To be fixed with studs.



	Length mm	Width mm	Height mm	Hole-to-hole distance mm	Thread
211586	160	47	35	55	M8
211588	200	60	45	65	M10

## PVC FENDER PROFILES



### PROFILE FOR FLAT JUNCTION

PVC profile with rigid support for boats for flat junctions. To be fitted warm, with no screws or rivets.

FENDER PROFILE HEIGHT 35 mm

#### Technical features

Fiberglass thickness - application point from 6 to 9 mm  
Weight (approx.) 1440 gpm

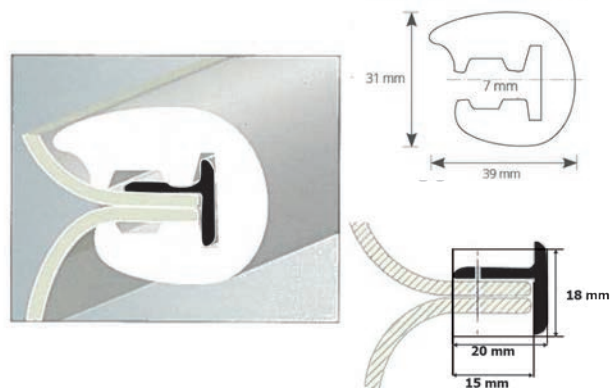
m	● black	○ white	● grey
12	222301/12	222302/12	222303/12
24	222301/24	222302/24	222303/24
48	222301/48	222302/48	222303/48

### RIGID SUPPORT

222030 "T" rigid support for profile 35 mm height. Bars of 2 meters.

### END CAP

● black	● grey
223430	223430G



## DOCK FENDER PROFILES



### RUBBING STRAKE

STAINLESS STEEL AISI 316 polished, moulded and tapered rubbing strake. Ideal to prevent mooring line chafing.

	Length mm	Width mm
504920	200	20
504922	300	20
504924	450	20
504926	610	20
504930	200	25
504932	300	25
504934	450	25
504936	610	25

## ACCESSORIES FOR FENDER PROFILES



### STAINLESS STEEL END CAPS FOR SPHAERA PROFILE

STAINLESS STEEL AISI 316 end caps for covering Sphaera profile on the transom closure.

		Suitable for profile
223495/25	right + left	Sphaera 25 with Midi base
223495/35	right + left	Sphaera 35 with Slim base or without base
223495/50	right + left	Sphaera 50 with Midi base
223496/25	single	Sphaera 25 with Slim base or without base
223496/35	single	Sphaera 50 with Slim base or without base
223496/50	single	Sphaera 50 with Slim base or without base




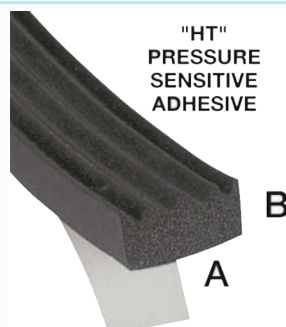


### RUBBER AND PVC RUB RAILS

#### NEOPRENE ADHESIVE FLAT GASKET


Self-adhesive neoprene flat gasket. Ideal for sealing portholes, lockers, hatches and deck hatches.

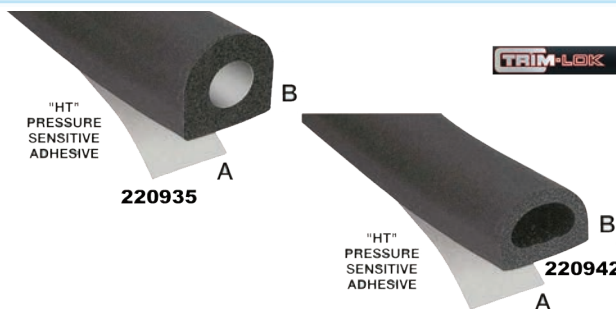
	A mm	B mm	 m
220930	10	5	15



#### ADHESIVE EPDM RUBBER GASKET

Self-adhesive gasket made of expanded EPDM Rubber. Extremely high quality material for indoor and outdoor use, resistant to Ozone and weathering. Ideal for sealing portholes, skylights, windows and doors.

	A mm	B mm	 m
220935	12	12	15
220942	12	8	15



### SPECIAL FENDERS

#### INFLATABLE MODULAR STEP

Inflatable and stackable fender/step so you can create the desired length ladder and at the same time protect the boat while mooring at the dock by facilitating access on board.

##### Technical features

Length	250 mm
Width	200 mm
Depth	120 mm
Suggested rope diameter	14 mm
Step capacity	100 Kg
Weight	1,1 Kg

 white  
490616

 blue  
490617




#### INFLATABLE ARCH FENDER/STEP

Arch-shaped fender that can be used as a step to facilitate access to the boat.

##### Technical features

Diameter	200 mm
Length	430 mm
Width	540 mm
Suggested rope diameter	14 mm
Weight	2,5 Kg

 white  
black heads  
490620

 blue  
black heads  
490621




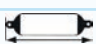
 black  
black heads  
490622



### CYLINDER-SHAPED FENDERS

#### INFLATABLE FENDER WITH SINGLE EYE

Inflatable PVC fender, made with a single extrusion that makes it resistant to scrapings with hooking ring. It does not fade.

 navy blue	 black	 white	Ø cm	 cm	Weight Kg
490564	490564B	490564W	12	45	0,70
490565	490565B	490565W	15	58	1,10
490566	490566B	490566W	21	62	1,80
490567	490567B	490567W	24	70	2,40
490568	490568B	490568W	30	90	4



## ACCESSORIES FOR FENDERS



### MULTIFUNCTION TOOL FOR FENDERS

**490708** Multifunction brass and plastic tool that can be used both for replacing GFN and MAJONI fender valves and as an adapter to be able to inflate the fender with a hand pump, electric pump, or compressor.



### MODULAR AND REMOVABLE FENDER HOLDER

**Modular and dismountable** fender holders in polished **STAINLESS STEEL**. Since they are completely dismountable, they do not have the bulk of traditional baskets and are supplied in boxes of nr.2 pieces to optimize transport and storage costs. They can be mounted either vertically or obliquely by combining them in groups of 2/3 baskets with the special clamps item 495199 to be ordered separately.

The package includes: nr. 2 fender holders with nr.4 clamps (item **495198**) for stanchion fixing.

	For fenders max Ø mm	Height mm
<b>495181</b>	170	405
<b>495182</b>	195	433
<b>495185</b>	230	450
<b>495189</b>	300	588

## STAINLESS STEEL FOLDABLE LADDERS



### LADDER "SNOOPY" SERIES

**STAINLESS STEEL** foldable ladder for transom mounting, suitable for inflatable and small boats. Very practical since it is very tight but at the same time strong, fine, with accurate finishings.

	N. steps	Length cm	Width cm	hose Ø mm
<b>110142</b>	3	65	22	22
<b>110143</b>	3	80	20	25
<b>110144</b>	4	105	20	25
<b>110145</b>	4	90	22	22



### LADDER "VIPER" SERIES

Foldable ladder made of polished **STAINLESS STEEL AISI 316**. Anatomically shaped, non-slip plastic-covered steps.

	N. steps	Total length A cm	Total length closed B cm	Total width C cm	Handrail width D cm	Handrail height E cm	hose Ø mm
<b>120083</b>	3	65	38	26	21	14	22
<b>120084</b>	4	93	55	26	21	16	22
<b>120085</b>	5	115	56	26	21	16	22



### STAINLESS STEEL AISI 316 LADDER WITH HANDRAIL

Boarding ladder with handrail, foldaway and telescopic for transom platforms. Made of **STAINLESS STEEL AISI 316** with anti-slip plastic steps.

#### Technical features

Pipe diameter 25 mm

	N. steps	Boarding ladder's length A cm	Total length B cm	Ladder width C cm	Total width D cm	Dimensions with closed steps E cm	Dimensions in closed position F cm
<b>121738</b>	3	87	52	33	26	19,5	40
<b>121739</b>	4	110	54	33	26	20	42



**TABLE AND TABLE TOPS PEDESTALS**

**TELESCOPIC TABLE PEDESTAL**

**Technical features**

Length	300 mm
Width	35 mm
Height	165 mm
Dimensions closed	40 mm
Maximum load	250 Kg

**125810** Polished **STAINLESS STEEL AISI 316** foldable table pedestal. Thanks to concave profiles it can be mounted also on pipes with 25-30 mm diameter.



**DRY STORAGE BOX SEATS**

**"JOLLY 3" STORAGE SEAT**

Single seater storage seat made of reinforced FRP with **STAINLESS STEEL** hinges and latch. Rod holders can be mounted on the rear side.

	Width mm	Depth mm	Height mm	
<b>127900</b>	650	480	440	storage seat only
<b>127902</b>	650	480	900	complete with cushion and backrest



**"JOLLY 1" STORAGE SEAT**

Two-seater storage seat made of reinforced FRP with **STAINLESS STEEL** hinges and latch. Rod holders can be mounted on the rear side.

	Width mm	Depth mm	Height mm	
<b>127905</b>	900	480	440	storage seat only
<b>127907</b>	900	480	900	complete with cushion and backrest



**PLASTIC PORTHOLES**
**ROUND OPENABLE PORTHOLE**

Openable porthole made of UV-resistant thermoplastic ABS with 4-mm tempered glass with **STAINLESS STEEL AISI 316** accessories.



	External dimensions mm	flush mount Ø mm	Glass dimensions mm	Collar size mm	Counterflange mm
<b>140151</b>	215	161	132	30	5
<b>140152</b>	264	209	180	30	5

**OPENABLE OVAL PORTHOLE**

Openable porthole made of UV-resistant thermoplastic ABS with 4-mm tempered glass with **STAINLESS STEEL AISI 316** accessories.



	External dimensions mm	Flush mount dimensions mm	Glass dimensions mm	Collar size mm	Counterflange mm
<b>140160</b>	217 x 410	146 x 338	114 x 307	40	5

**RECTANGULAR OPENABLE PORTHOLE**

Openable porthole made of UV-resistant thermoplastic ABS with 4-mm tempered glass with **STAINLESS STEEL AISI 316** accessories.



	External dimensions mm	Flush mount dimensions mm	Glass dimensions mm	Collar size mm	Counterflange mm
<b>140170</b>	200 x 400	140 x 337	113 x 313	40	5

**ADJUSTER ARMS AND SPRINGS FOR HATCHES**

**GAS SPRING**

Telescopic gas springs with chromed **STEEL** shaft and black colour powder varnished pipe. Provided with threaded connector for applying eye connectors on shaft. Standard eye connector on pipe.

**Technical features**

Cylinder diameter 18,5 mm

Inner diameter 8 mm

Eye diameter 8 mm



	Length opened mm	Length closed mm	Response kg. Kg	Weight kg
<b>202048</b>	244	165	9	0,14
<b>202050</b>	244	160	18	0,14
<b>202056</b>	355	225	18	0,17
<b>202060</b>	365	225	35	0,18
<b>202063</b>	400	240	25	0,22
<b>202066</b>	550	320	8	0,17
<b>202068</b>	550	320	20	0,29
<b>202070</b>	550	320	38	0,29
<b>202072</b>	600	350	20	0,32
<b>202075</b>	600	350	36	0,32





## STAINLESS STEEL AISI 316 GAS SPRING

**STAINLESS STEEL AISI 316** telescopic gas springs. Equipped with threaded connector for applying eye connectors on shaft. Standard eye connector on pipe.

### Technical features

Inner diameter 8 mm

	Length opened mm	Length closed mm	Response kg. Kg	Cylinder diameter mm	Eye diameter mm
<b>202079</b>	250	170	10	15	6
<b>202080</b>	250	170	20	15	6
<b>202082</b>	355	225	12	18	8
<b>202083</b>	355	225	20	18	8
<b>202084</b>	355	225	30	18	8
<b>202085</b>	375	230	20	18	8
<b>202086</b>	500	290	20	18	8
<b>202087</b>	500	290	40	18	8
<b>202088</b>	525	305	14	18	8
<b>202090</b>	525	305	30	18	8
<b>202094</b>	550	320	38	18	8
<b>202095</b>	550	320	64	18	8
<b>202096</b>	600	350	20	18	8
<b>202097</b>	600	350	30	18	8
<b>202098</b>	600	350	40	18	8



## STAINLESS STEEL AISI 316 GAS SPRING WITH SPHERE CONNECTOR

**STAINLESS STEEL AISI 316** telescopic gas springs. Supplied with sphere connectors with the possibility to replace the terminal head.

	Length opened mm	Length closed mm	Response kg. Kg	Ø cylinder mm	Thread	shaft Ø mm	Ø eye mm	Weight kg
<b>202120</b>	380	230	10	15	M5	6	8	0,18
<b>202122</b>	380	230	35	15	M5	6	8	0,18
<b>202125</b>	600	350	25	18	M8	8	8	0,39



## HATCHES

### WATERTIGHT AND WALKABLE INSPECTION HATCH

#### Technical features

External diameter 200 mm  
Hole diameter 170 mm

**310356** Watertight and walkable inspection hatch made of thermoplastic material (ASA) and nylon, ideal for cockpits and walkable areas. The gasket is made of closed cell expanded material that grants a perfect seal.



### FAIRLEAD HATCH

Rectangular hatch with safety lock designed as a fairlead for boat and/or RV electrical cables. Made of UV-resistant ABS with wider outer collar to cover any pre-existing screw holes. Much sturdier than standard round cable fairleads, it features a sliding window for closing the door during connection. Easy and quick to install.

	External dimensions mm	Internal dimensions mm	Flush mount dimensions mm	Fairleads width mm
<b>310385</b>	151 x 166h	95 x 110h	106 x 121h	32
<b>310386</b>	196 x 164,5h	138 x 110h	148 x 119h	32



**CLAMPS AND ACCESSORIES**
**CLAMP CLIP**

**Technical features**

For pipe diameter	22 - 25 mm
Universal holders diameter	from 22,2 to 34,9 mm

**347251** Universal holders made of high resistant nylon with foam stuffing and clamp for handrail. Sold in pair with screws for installation.

**TOOLS**
**"T" SPARK PLUG SOCKET WITH DOUBLE BALL JOINT**


Spark plug socket with double ball joint for use in any conditions, with exagonal bush and plastic coated grip.

	Socket size mm
<b>749999</b>	16
<b>750000</b>	19
<b>750001</b>	21

**PUMP FOR DRIVESHAFT OIL TRANSFER**


**600426** Hand pump with ring nut that can be screwed directly onto the engine crank case, complete with adapter for both US and European thread and 3 fittings (3/8" - M8 - M10) compatible with any 2- and 4-stroke outboard, Volvo SX, Mercruiser, OMC and OMC Cobra stern drives.

**NYLON FILTERS WRENCH**


**760552** Nylon oil and fuel filter wrench, equipped with connectors and strap for any filter and bowl removal.

**WRENCH FOR PROPELLER NUT WITH ADAPTERS**

**Technical features**

For nuts diameter	14/13/17/19/21/22/24/27 mm
-------------------	----------------------------

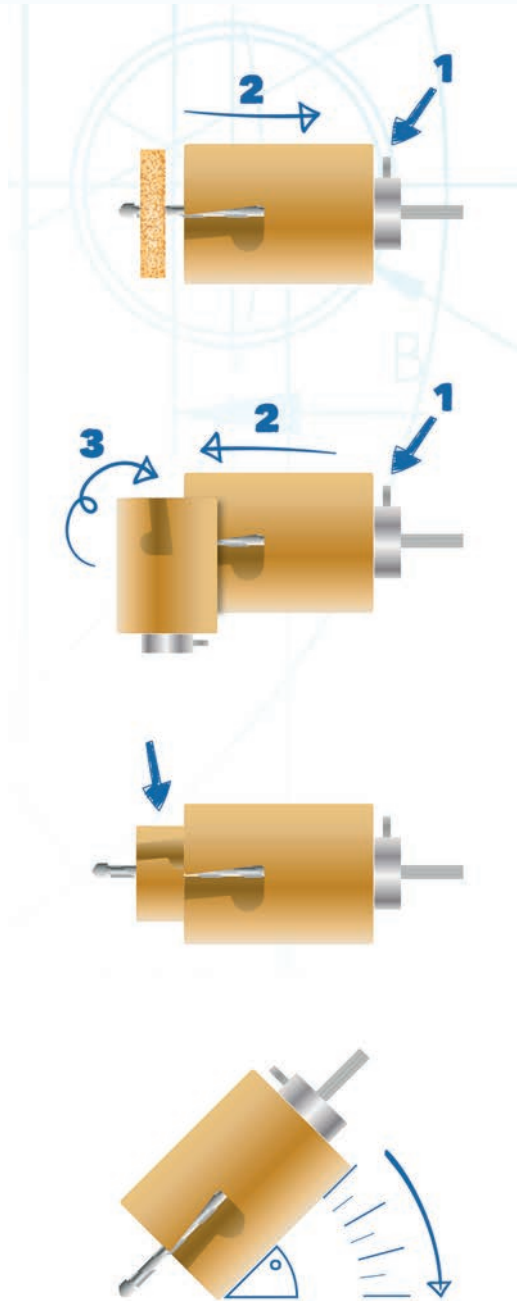
**750004** Nylon key, to use for screwing and/or unscrewing the propeller's nut. Supplied with 8 different bushings for use with all types of nuts.



## MULTIFUNCTIONAL HOLE SAW WITH CARBIDE TEETH WITH PATENTED CLICK&DRILL® SYSTEM

When speed and precision need to make a difference, the ProFit multifunction hole saw stands out in the drilling market, helping the professional get the job done by making precise, burn-free cuts with minimal effort, faster, more efficiently and more accurately. This new line of hole saws **is different from all others by featuring the patented Click&Drill®** a simple system but ingenious system that greatly simplifies work with hole saws and once you use it, you won't be able to do without it.

**Quick dowel removal or quick diameter changes.** Difficult jobs like enlarging a hole or extreme angle drilling? Click&Drill® makes it easy.



### 1. QUICK DOWEL REMOVAL

It used to be that a screwdriver had to be used to lever and remove the dowel with great difficulty. Today, **thanks to the ProFit Click&Drill® system**, it has become a breeze. **Press the button on the adapter, slide the hole saw backwards and remove the dowel from the front.** See how much time and hassle you save with Click&Drill®.

### 2. QUICKLY CHANGE DIAMETERS

A pitstop is done in a snap. **With ProFit Click&Drill® change diameters quickly.** Just press the stop button to remove the cutter and change it to another diameter. Quick and easy!

### 3. ENLARGE HOLES

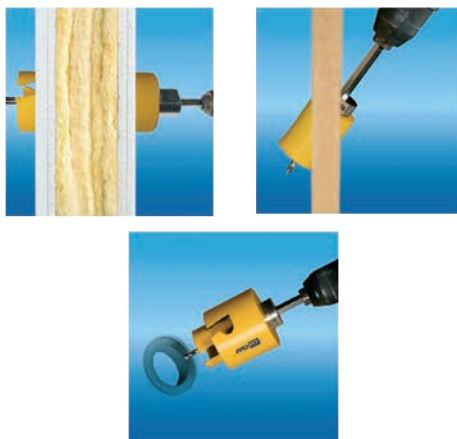
Combine two hole saws with different diameters on the same Click&Drill® centering bit and enlarge existing holes effortlessly. The smaller diameter allows centering and thus helps enlarge a hole extremely precisely and easily.

### 4. DRILLING WITH EXTREME ANGLE

There is no such thing as a difficult cutting angle for ProFit Click&Drill®. Slide the hole saw back uncovering the full length of the drill bit and start cutting at the angle you want.

# PRO-FIT

## PRO-FIT MULTI PURPOSE WITH PATENTED CLICK&DRILL® SYSTEM



No more burned hole edges: the Multi Purpose Pro-Fit hole saw quickly removes chips and dust, allowing the saw itself to work. Where any bimetal hole saw breaks, MultiPurpose's carbide teeth continue to work flawlessly. Even up to 500 holes and 5 times faster!  
Ideal for any drilling on board: instruments, speakers, switches, inspection plugs, sea sockets, sounder transducers etc.

### MULTI PURPOSE HOLE SAW

#### Technical features

Use	All types of wood, MDF, GRP, Gelcoat, PVC
Teeth	carbide
Cutting depth	up to 52 mm
Diameters	from 16 mm to 330 mm

Ø mm	Ø mm	Ø mm	Ø mm
742016	16	742046	46
742017	17	742048	48
742019	19	742050	50
742020	20	742051	51
742021	21	742052	52
742022	22	742054	54
742024	24	742055	55
742025	25	742056	56
742027	27	742057	57
742028	28	742058	58
742029	29	742059	59
742030	30	742060	60
742032	32	742062	62
742033	33	742063	63
742035	35	742064	64
742037	37	742065	65
742038	38	742066	66
742040	40	742067	67
742041	41	742068	68
742043	43	742070	70
742044	44	742071	71
742045	45	742073	73
		742074	74
		742075	75
		742076	76
		742077	77
		742078	78
		742079	79
		742080	80
		742082	82
		742083	83
		742084	84
		742086	86
		742089	89
		742092	92
		742095	95
		742098	98
		742102	102
		742105	105
		742108	108
		742111	111
		742114	114
		742121	121
		742125	125
		742127	127
		742133	133
		742138	138
		742140	140
		742146	146
		742152	152
		742158	158
		742160	160
		742165	165
		742168	168
		742177	177
		742185	185
		742200	200
		742210	210
		742225	225
		742242	242
		742250	250
		742270	270
		742315	315
		742330	330

### CENTRING DRILL BIT

Hexagonal centering drill bit for Multi purpose hole saws.

	Exhagon mm	Material	Ø hole mm
743101	8	HSS	Multi purpose from 16 to 30
743102	10	HSS	Multi purpose from 32 to 330

### CENTRING DRILL BIT

Hexagonal centering bit for Multi purpose and Multi purpose Long hole saws.

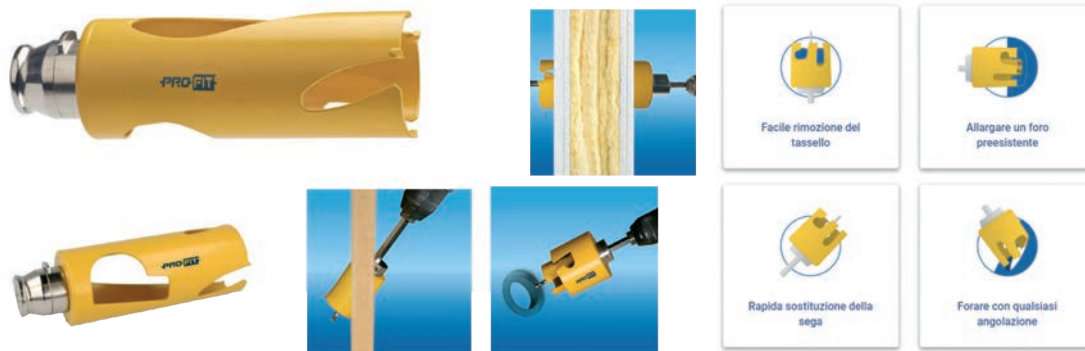


	Exhagon mm	Material	Ø hole mm
743101	8	HSS	Multi purpose from 16 to 30
743102	10	HSS	Multi purpose from 32 to 330
743103	10	-	Multi purpose Long from 32 to 152*
743105	12	-	Multi purpose Long from 155 to 232*

\* Requires 10 or 12 mm pre-hole.



**PRO-FIT MULTI PURPOSE LONG WITH PATENTED CLICK&DRILL® SYSTEM**



Bow thruster installations: no problem for working on thicker materials or at extreme angles. The ProFit Multi Purpose Long saws drill them in one go. They saw effortlessly and with extreme precision through solid beams or combination of materials, **up to 152 mm of total thickness**. And the edge of the hole? Smooth and clean, exactly as it should be.

**MULTI PURPOSE LONG HOLE SAW**

**Technical features**

Use	All types of wood, MDF, GRP, Gelcoat, PVC
Teeth	carbide
Cutting depth	up to 152 mm
Diameters	from 32 mm to 232 mm

	Ø mm
742111/L	111
742122/L	122
742130/L	130
742140/L	140
742160/L	160
742186/L	186
742232/L	232

**CENTRING DRILL BIT**

Hexagonal centering drill bit for Multi purpose Long hole saws.

	Exhagon mm	Ø hole mm
743103	10	Multi purpose Long from 32 to 152*
743105	12	Multi purpose Long from 155 to 232*

\* Requires 10 or 12 mm pre-hole.

**"START 1" SET OF 9 MULTI PURPOSE HOLE SAWS IN CASE**

**743201** Aluminium case containing a set of 9 MULTI PURPOSE hole saws (diameter: 20, 27, 32, 38, 40, 50, 52, 70, 86 mm) and 2 centering drill bits. Ideal for installations of fasteners, hose connectors, drain plugs, lifters, deck plates, fuel gauges, deck instruments, rod holders, chain counters, windlasses, table bases etc.

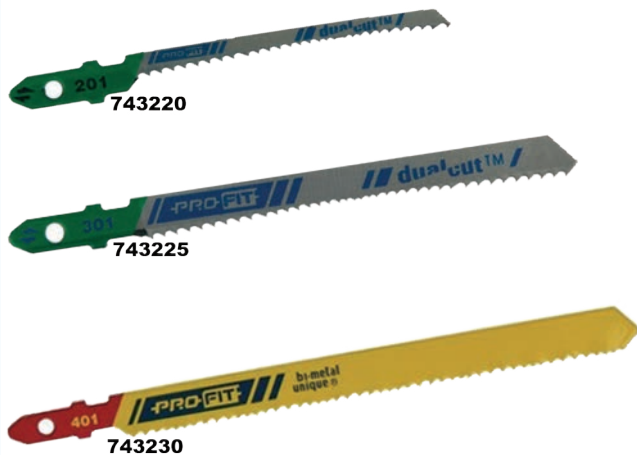


**"START 2" SET OF 6 MULTI PURPOSE HOLE SAWS IN CASE**

**743202** Polypropylene case containing a set of 6 MULTI PURPOSE hole saws (diameter: 80, 89, 95, 114, 125, 140 mm) and 1 centering drill bit. Ideal for installations of radios, speakers, hydraulic steering systems, compasses, inspection hatches etc.







### PROFIT SAW BLADE

High-quality steel saw blades with 4 cutting angles for precise finishes and fast, perfectly straight cuts. Blades fit all commercially available jigsaws. Sold in blister packs of 5.

	Blade length mm	Thickness mm	Use
743220	50	4 - 20	complicated curves and contours in wood and PVC
743225	75	6 - 32	wood and PVC with perfect finishes on both sides of the material
743230	100	45 - 60	steel and wood

## TOOL-BOX

### MODULAR TOOL HOLDER START KIT WITH WHEELS

Innovative modular tool organization and transport system that allows professionals to have all the tools they need on hand at all times, in every situation. All components feature super-strong polyamide closures and lids with seamless TPE gaskets that make them impervious to water and dust.

The STARTER KIT consists of two separable elements:

- the top part is a tool holder with long aluminum handle for weight balancing during transport, small parts compartment with modular compartments and transparent polycarbonate lid;
- XXL bottom part for bulky tools and power tools;
- XXL wheels with dust-proof rubber layer;
- **Water and dust resistant IP66.**



#### Technical features

Upper box dimensions	545 x 270 x 246h mm
Upper box capacity	22 lt
Lower box dimensions	585 x 460 x 400h mm + handle 365h mm
Lower box capacity	50 lt

**644811** Modular tool holder start kit with wheels.

### PORTABLE STACKABLE ORGANIZER

Portable, stackable organizer, **compatible with START KIT**, equipped with carrying handle and clear polycarbonate lid with TPE seals and polyamide side connectors. Inside features removable trays for organizing small parts and can be attached to the wall with screws or to a mounting plate.



	Model	No. removable trays	Trays dimensions mm	Internal comp.	Dimensions mm	Cap. lt
<b>644821</b>	MEDIUM	5	4 of 60 x 112 mm 1 of 6 x 240 mm	7	365 x 265 x 77	2,5
<b>644822</b>	LARGE	8	2 of 115 x 310 mm 2 of 110 x 145 mm 4 of 63 x 113 mm	from 8 to 14	582 x 387 x 131	13,5

## BALL BEARING CAM CLEATS



### SINGLE LEAD BLOCK

	Ø max line mm	Ø pulley mm	Breaking load kg	Hole-to-hole distance mm	Ø holes fixing mm
<b>189211</b>	5	25	500	24	5
<b>189212</b>	8	25	500	27	5
<b>189213</b>	10	22	500	30	5

# SHACKLES AND SNAP HOOKS

ACCESSORIES FOR SAILING



## PIVOTING LEAD BLOCK

	Ø max line mm	Ø pulley mm	Breaking load kg	Hole-to-hole distance mm	Ø holes fixing mm
<b>189230</b>	6	22	500	23	4
<b>189231</b>	8	28	620	29	5



## SINGLE LEAD BLOCK (PLANE BASE)

### Technical features

Line diameter	10 mm
Sheave diameter	45 mm
Breaking load	300 Kg
Hole-to-hole distance	38 - 52 mm
Fixing holes diameter	5 mm

**189220** Single lead block (plane base)



## PIVOTING FOOTBLOCK

### Technical features

Line diameter	12 mm
Sheave diameter	55 mm
Breaking load	1400 Kg
Base dimensions	83 x 42 mm
Hole-to-hole distance	56 - 30 mm
Fixing holes diameter	5 mm

**189240** Pivoting footblock.



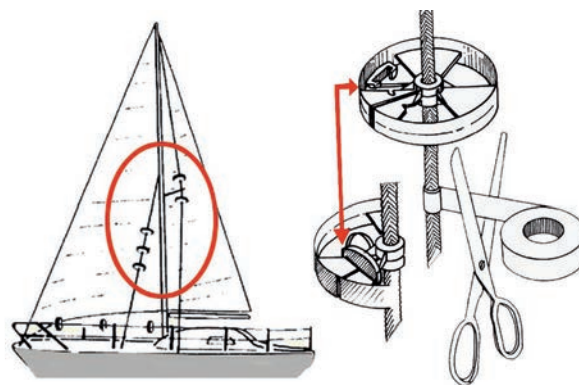
## ACCESSORIES FOR SAILING

### SAILGUARD SAIL SAVERS

#### Technical features

Cordage diameter	max 9 mm
------------------	----------

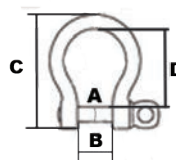
**201360** White nylon sail savers  
You can install them in a few seconds without removing the shrouds.  
Sold in pairs.



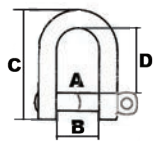
## AISI 316 STAINLESS STEEL SHACKLES

### AISI 316 STAINLESS STEEL BOW SHACKLE

	A - Ø mm	B mm	C mm	D mm
<b>190104</b>	4	8	25	15
<b>190105</b>	5	10	33	20
<b>190106</b>	6	12	38	24
<b>190108</b>	8	17	53	33
<b>190110</b>	10	22	66	41
<b>190112</b>	12	25	76	47
<b>190114</b>	14	29	90	57
<b>190116</b>	16	33	100	63
<b>190120</b>	20	38	128	77
<b>190122</b>	22	44	141	88
<b>190125</b>	25	50	155	100

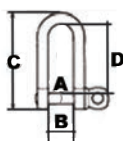


### AISI 316 STAINLESS STEEL SHACKLE



	A - Ø mm	B mm	C mm	D mm
190204	4	8	24	15
190205	5	11	32	21
190206	6	12	40	25
190208	8	17	51	32
190210	10	20	66	42
190212	12	25	76	48
190214	14	30	88	54
190216	16	34	102	64
190218	18	37	110	69
190220	20	41	128	77
190222	22	45	141	88
190225	25	50	155	100

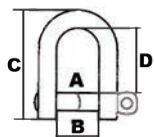
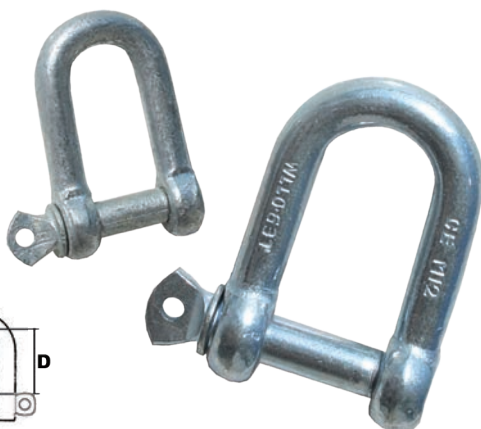
### AISI 316 STAINLESS STEEL LONG "D" SHACKLE



	A - Ø mm	B mm	C mm	D mm
190324	4	8	39	29
190325	5	10	50	38
190326	6	12	60	45
190328	8	15	83	64
190330	10	21	98	74
190332	12	24	120	96

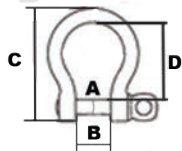
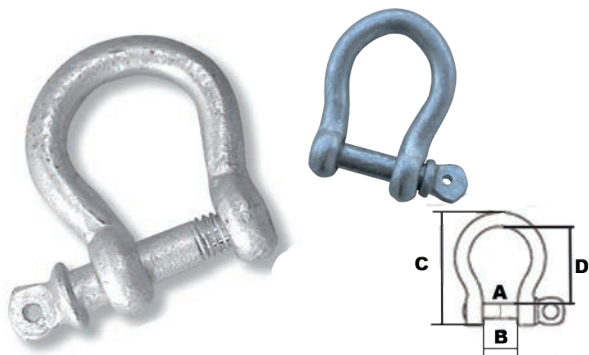
## GALVANIZED STEEL SHACKLES

### GALVANIZED STEEL SHACKLE



	A - Ø mm	B mm	C mm	D mm
190005	5	10,5	35,5	18,5
190006	6	12,5	38,5	24,5
190008	8	16,5	51	32
190010	9	19	61	39
190012	11	24	78	50
190014	13	26	81	50
190016	16	30	98	62
190018	17	35	108	67
190020	19	37	115	72
190022	21	44,5	136	85,5
190025	24	47,5	156	97
190032	31	61	188	110

### GALVANIZED STEEL BOW SHACKLE



	A - Ø mm	B mm	C mm	D mm
190035	5	11	32	19
190036	6	14,5	40	25,5
190038	8	16,5	51,5	33,5
190040	9	16,5	62,5	40
190042	11	26,5	75	48
190044	13	29	84,5	52
190046	15	31,5	100	64,5
190047	19	35,5	115	71
190048	24	48,5	159	100
190049	31	59	199	124

## SNAP HOOKS

### AISI 316 SNAP HOOK FOR STRAP



#### Technical features

Total length	75 mm
Strap holder width	27 mm

**127565** STAINLESS STEEL AISI 316 snap hook for strap with rectangular and swivel eye.





### AISI 316 STAINLESS STEEL SNAP HOOK WITH SWIVEL RING

	Total length mm	Ø eye mm
127585	83	16
127586	90	20
127587	92	25



### BRASS SNAP HOOK WITH SWIVEL EYE

#### Technical features

Total length 82 mm

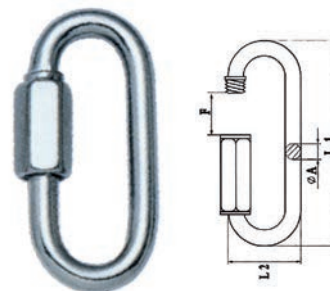
**127591** Chrome-plated die-cast brass snap hook with swivel eye.



### SNAP HOOK WITH SCREWABLE RING NUT

STAINLESS STEEL AISI 316 snap hook with screw opening.

	Ø mm	Dimensions L1 x L2 x F mm
190603	3,5	36 x 17 x 5
190604	4	40 x 20 x 5,5
190605	5	49 x 23 x 6,5
190606	6	58 x 26 x 7,5
190608	8	75 x 34 x 10,5



### SNAP HOOK FOR SAFETY BELTS

#### Technical features

Length 106 mm

Breaking load 2000 Kg

**190622** STAINLESS STEEL AISI 316 snap hook with double lock for safety belt.



### ALUMINIUM SNAP HOOK WITH EYELET

Anodized aluminium coloured snap hook with chromed eye and ring.

Ø mm	Length mm	10 pcs blue 190646B	10 pcs red 190646R
6	60	190646B	190646R
8	80	-	190648R



### NYLON SNAP HOOK WITH SPRING OPENING

#### Technical features

Total length 56 mm

Total width 35 mm

Internal width 10 mm

Load capacity 70 Kg

**190650** STAINLESS STEEL nylon snap hook with spring opening.



### NYLON SNAP HOOK WITH DOUBLE SPRING OPENING

#### Technical features

Total length 70 mm

Total width 35 mm

Internal width 10 mm

Load capacity 70 Kg

**190655** STAINLESS STEEL nylon snap hook with double spring opening.





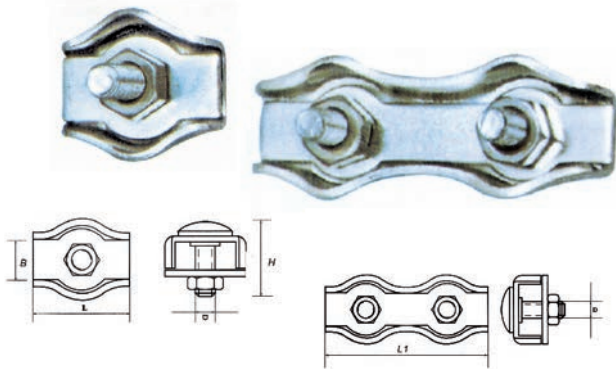
## NYLON SNAP HOOK

### Technical features

Eye diameter 9,25 mm

**339118** Strong snap hook made of white-colored nylon. 10 pcs package.

## ACCESSORIES FOR S/S CABLES



### STAINLESS STEEL CABLE CLAMP

Clamps for naked or plastic-coated cables. They can be easily installed and removed, using simple fixed keys or manual tools.

RAIL CLAMP SINGLE	RAIL CLAMP DOUBLE	Dimensions L x L1 x H x B x D mm	Thread MA	For cable Ø mm
-	<b>190743</b>	18 x 36 x 14 x 6,5	M4	3
<b>190734</b>	<b>190744</b>	20 x 40 x 17 x 8,5	M5	4
<b>190735</b>	<b>190745</b>	25 x 50 x 15 x 11	M5	5
-	<b>190746</b>	30 x 60 x 23 x 13	M6	6
-	<b>190748</b>	36 x 72 x 27 x 18	M8	8

## HANDRAILS AND HANDLES



### STAINLESS STEEL HANDRAILS

STAINLESS STEEL handrail for boats.  
Oval pipe mirror polished.

	Length mm	Internal height mm	Tube diameter mm
<b>150037</b>	300	35	25 x 20
<b>150038</b>	400	35	25 x 20
<b>150039</b>	500	35	25 x 20
<b>150040</b>	600	35	25 x 20

## STAINLESS STEEL BASES AND FITTINGS



### "TEE" 90° CONNECTOR WITH EYE FOR SAILING LIFELINE

#### Technical features

For pipe diameter 22 mm

**150368** "Tee" 90° connector with STAINLESS STEEL AISI 316 eye for sailing lifeline mirror polished.



### S.STEEL AISI 316 ROUND BASE

Round base for pulpits precision cast, STAINLESS STEEL AISI 316 mirror polished.

	For pipe Ø mm	Inclination	Base dimensions mm
<b>150563</b>	22	90°	66 x 16
<b>150566</b>	25	90°	75 x 16
<b>150573</b>	22	60°	66 x 13
<b>150576</b>	25	60°	80 x 16



### S.STEEL AISI 316 RECTANGULAR BASE

Rectangular base for pulpits precision cast, STAINLESS STEEL AISI 316 mirror polished.

	For pipe Ø mm	Inclination	Base dimensions mm
<b>150583</b>	22	90°	78 x 44 x 16
<b>150586</b>	25	90°	78 x 44 x 16
<b>150593</b>	22	60°	78 x 44 x 13
<b>150596</b>	25	60°	78 x 44 x 14

# EYE BOLTS AND RINGS

STAINLESS STEEL HANDLES



## STAINLESS STEEL AND RUBBER CABLE TIE/HOSE CLAMP

Cable tie or hose clamp made of **STAINLESS STEEL** with rubber coating.  
Pack of 10 pieces.

### Technical Features

Band width 12 mm

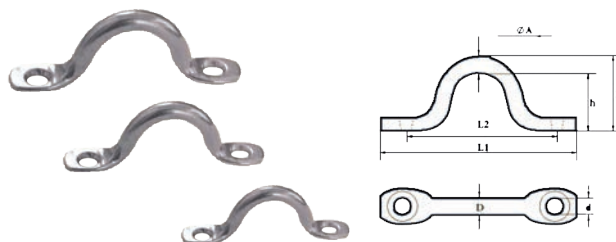
	Ø mm		Ø mm
144704	4	144716	16
144706	6	144720	20
144708	8	144724	24
144710	10	144728	28
144712	12		



## STAINLESS STEEL HANDLES

### EYE STRAP IN AISI 316 STAINLESS STEEL

10 pcs	5 pcs./blister	D mm	L1 mm	L2 mm	H mm	h mm	d mm
143794	143794B	4	40	32	16	11	3,2
143795	143795B	5	50	40	16	13	4,2
143796	143796B	6	57	44	22	16	5,2
143798	143798B	8	63	47	25	17	5,2

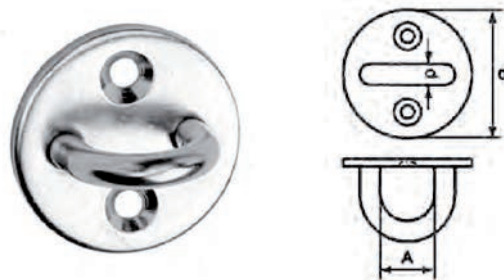


## STAINLESS STEEL "U" BOLTS

### ROUND PLATE WITH U-BOLT

Round plate with **STAINLESS STEEL AISI 316** u-bolt with two holes for fixing.

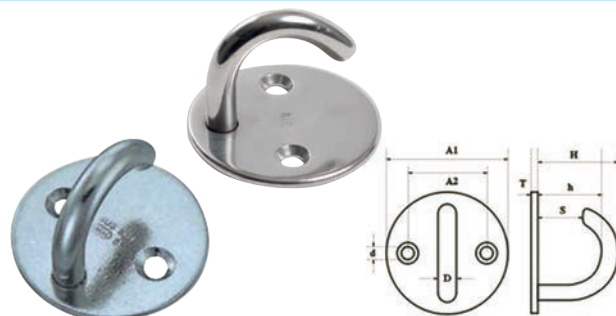
	Ø ring thread mm	A mm	B mm
191020	5	35	30
191021	6	40	35
191022	8	50	40



### ROUND PLATE WITH HOOK

**STAINLESS STEEL AISI 316** round plate with hook.

	D mm	A1 mm	A2 mm	H mm	h mm	S mm	d mm	T mm
191066	5	33	19	20	12,5	10	4,2	2,5
191067	6	40	23	26	17,5	13	5,2	2,5
191068	8	50	29	33	22	16	5,2	3



### ROUND PLATE WITH U-BOLT AND RING

**STAINLESS STEEL AISI 316** round plate with u-bolt, stud and ring.

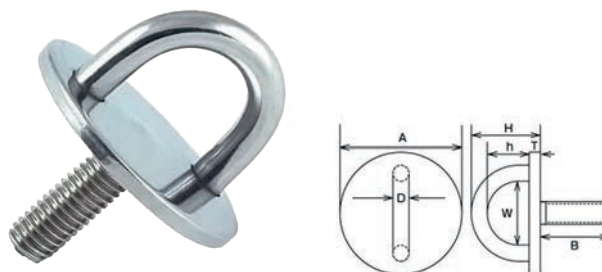
	D mm	L mm	A mm	H mm	B mm	T mm
191070	5	30	33	19	21	2,5
191071	6	40	40	25,5	25	2,5
191072	8	50	50	32	27	3



### ROUND PLATE WITH U-BOLT

**STAINLESS STEEL AISI 316** round plate with u-bolt and stud.

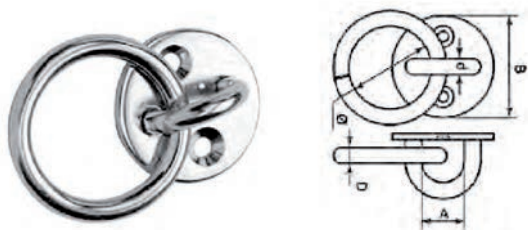
	D mm	A1 mm	H mm	h mm	W mm	B mm	T mm
191075	5	33	19	11,5	15	21	2,5
191076	6	40	25,5	17	18	25	2,5
191078	8	50	32	20	22	27	3





### RING WITH ROUND PLATE

STAINLESS STEEL AISI 316 ring with round plate with two fixing holes.



	Ø ring thread mm	Ø ring hole mm	A mm	B mm	d mm	D mm
191095	5	30	12	33	5	5
191096	6	40	17	40	6	6
191097	8	50	20	50	8	8

## STAINLESS STEEL EYE BOLTS

### STAINLESS STEEL AISI 316 EYE BOLT



	Thread MA	Ø eye mm	Screw length mm
190956	6	5	60
190958	8	6	80
190960	10	8	100
190962	12	10	120

### STAINLESS STEEL AISI 316 MALE EYE BOLT

STAINLESS STEEL DIN 580 male eye bolt.



	Thread MA	Ø eye mm	Screw length mm
191106	6	6	14
191108	8	8	15
191110	10	10	19
191112	12	12	22
191116	16	16	27
191120	20	20	30
191124	24	24	36

### STAINLESS STEEL AISI 316 FEMALE EYE BOLT



	Thread MA	Ø eye mm
191126	6	6
191128	8	8
191130	10	10
191132	12	12
191136	16	16
191140	20	20
191144	24	24

## STAINLESS STEEL HINGES

### 90° ANGLE BRACKET S.S. AISI 316

STAINLESS STEEL AISI 316 angle bracket with 4 holes.



	Length mm	Width mm
143183	31	12
143184	46	13
143186	61	15

### 90° ANGLE BRACKET S.S. AISI 316

STAINLESS STEEL AISI 316 angle bracket with 6 holes.



	Length mm	Width mm
143194	41	25
143195	56	35
143198	80	50

## STAINLESS STEEL HINGE

### Technical features

Length	40 mm
Width	40 mm
Thickness	2 mm
Pin thickness	9,5 mm

**143267** STAINLESS STEEL AISI 316 hinge with raised barrel.



## STAINLESS STEEL HINGE

### Technical features

Length	40 mm
Width	40 mm
Thickness	2 mm
Pin thickness	9 mm

**143268** STAINLESS STEEL AISI 316 hinge with reverse barrel.

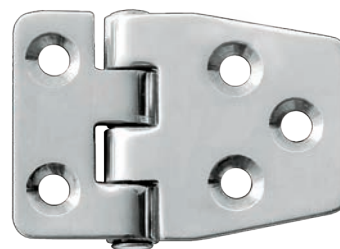


## STAINLESS STEEL HINGE

### Technical features

Length	76 mm
Width	40 mm
Thickness	2 mm
Pin thickness	9 mm

**143278** STAINLESS STEEL AISI 316 hinge with reverse barrel.



## STAINLESS STEEL HINGE

### Technical features

Length	38 mm
Width	46 mm
Thickness	2 mm

**143283** STAINLESS STEEL AISI 316 embossed hinge.

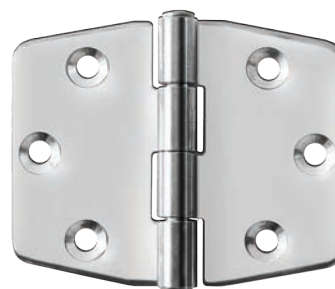


## STAINLESS STEEL HINGE

### Technical features

Length	74 mm
Width	60 mm
Thickness	2 mm
Pin thickness	9 mm

**143286** STAINLESS STEEL hinge with raised barrel.



## STAINLESS STEEL HINGE

### Technical features

Length	74 mm
Width	75 mm
Thickness	2 mm
Pin thickness	9 mm

**143287** STAINLESS STEEL hinge with raised barrel.



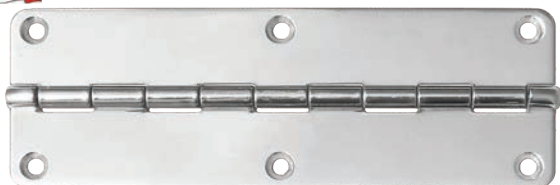
## STAINLESS STEEL HINGE

### Technical features

Length	67 mm
Width	48 mm
Thickness	2 mm
Pin thickness	9 mm

**143338** STAINLESS STEEL AISI 316 oval shaped hinge with raised barrel.





### STAINLESS STEEL HINGE

#### Technical features

Length	150 mm
Width	50 mm
Hole diameter	4,2 mm

**143575** STAINLESS STEEL AISI 316 mirror polished hinge.



### STAINLESS STEEL HINGE

#### Technical features

Length	90 mm
Width	30 mm
Thickness	2 mm
Pin thickness	9 mm

**143589** STAINLESS STEEL AISI 316 hinge with raised barrel.



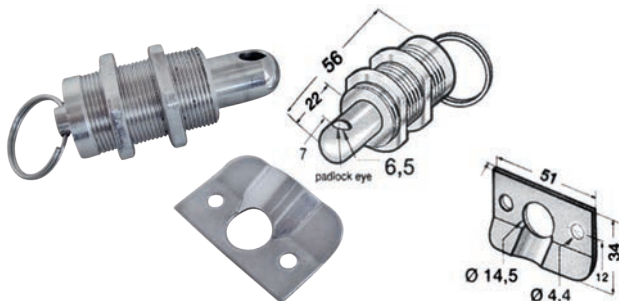
### HINGE IN STAINLESS STEEL WITH SCREW COVER

#### Technical features

Length	65 mm
Width	65 mm
Thickness	2 mm
Pin thickness	10 mm

**143690** STAINLESS STEEL AISI 316 round shaped hinge with raised barrel and screws cover.

## FLUSH MOUNT LATCHES FOR DOORS AND PANEL DOORS



### SPRING LOCK

#### Technical features

Length	58 mm
Flush hole	21 mm

**260315** STAINLESS STEEL lock with spring push-button and padlock eye.

## STAINLESS STEEL LEVER LATCHES

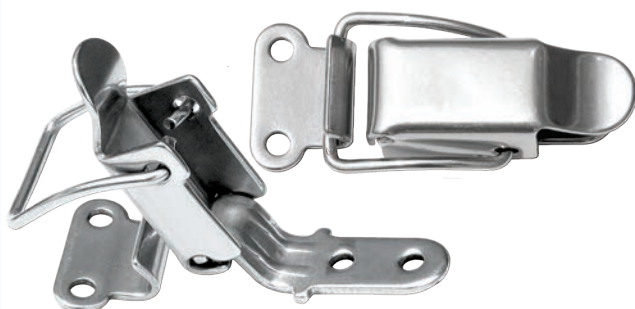


### STAINLESS STEEL AISI 316 LATCH

#### Technical features

Length	85 mm
Width	28 mm

**201174** STAINLESS STEEL AISI 316 lever lock with 90° hook and padlock holder.



### STAINLESS STEEL ANTI-VIBRATION LATCH

#### Technical features

Closure dimensions	45 x 15 mm
Plate dimensions	35 x 13 mm

**201182** STAINLESS STEEL anti-vibration lever latch complete with junction plate.



## PLASTIC LEVER LATCHES

### ANTI-VIBRATION ELASTIC LATCH

Elastic anti-vibration closure for lockers with and without padlock holder.  
Lock positioning template for proper installation provided.

● black	○ white	● grey	Model	Dimensions mm
201120	201121	201122	standard	96 x 29
201123	201124	201125	with padlock holder	96 x 29
201130	201131	201132	standard	150 x 36
201133	201134	201135	with padlock holder	150 x 36

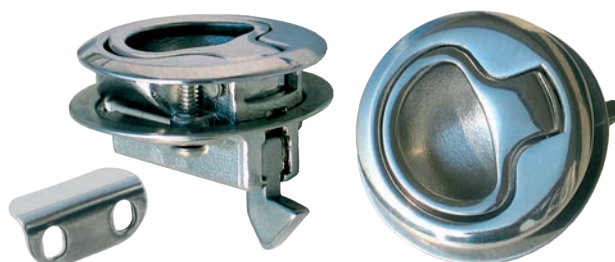


## FLUSH MOUNT S.STEEL LIFTING PLATES

### STAINLESS STEEL AISI 316 LIFTING RING

STAINLESS STEEL AISI 316 lifting handle with spring lock.  
Item 200746 can be unlocked also from inside.

	Diameter mm	Recessed diameter mm	Total height mm
200745	44	38	35
200746	61	50,5	37

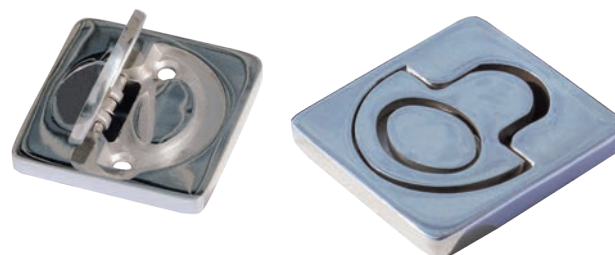


### STAINLESS STEEL AISI 316 LIFTING RING

**Technical features**

Dimensions	50 x 50 mm
Height	18 mm

**200761** STAINLESS STEEL AISI 316 square lifting plate mirror polished with threaded holes for fixing hidden screws.



### STAINLESS STEEL AISI 316 LIFTING RING

**Technical features**

Diameter	50 mm
Height	18 mm

**200762** STAINLESS STEEL AISI 316 round lifting plate mirror polished with threaded holes for fixing hidden screws.



### STAINLESS STEEL AISI 316 LIFTING RING

**Technical features**

External diameter	50 mm
-------------------	-------

**200744** STAINLESS STEES AISI 316 round lifting ring.

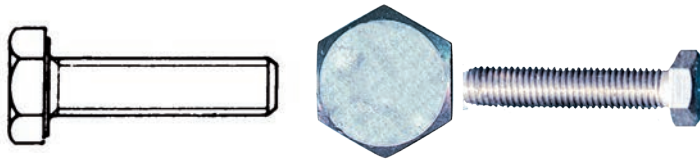


### A4 METRIC SCREWS

#### METRIC SCREW

STAINLESS STEEL A4 fully threaded hex head screw.

UNI 5739 - DIN 933.



Ø mm	Length mm	100 pcs.	50 pcs.	25 pcs.	10 pcs.
4	10	78933410	-	-	-
4	14	78933414	-	-	-
4	20	78933420	-	-	-
4	25	78933425	-	-	-
4	30	78933430	-	-	-
4	40	78933440	-	-	-
4	50	78933450	-	-	-
5	20	78933520	-	-	-
5	30	78933530	-	-	-
5	40	78933540	-	-	-
5	50	78933550	-	-	-
5	60	-	78933560	-	-
6	20	-	78933620	-	-
6	30	-	78933630	-	-
6	40	-	78933640	-	-
6	50	-	78933650	-	-
6	60	-	78933660	-	-
6	70	-	-	78933670	-
6	80	-	-	78933680	-
6	90	-	-	78933690	-
6	100	-	-	789336100	-
8	12	-	-	78933812	-
8	20	-	-	78933820	-

Ø mm	Length mm	100 pcs.	50 pcs.	25 pcs.	10 pcs.
8	30	-	-	78933830	-
8	40	-	-	78933840	-
8	50	-	-	78933850	-
8	60	-	-	-	78933860
8	70	-	-	-	78933870
8	80	-	-	-	78933880
8	90	-	-	-	78933890
8	100	-	-	-	789338100
10	20	-	-	789331020	-
10	30	-	-	789331030	-
10	40	-	-	789331040	-
10	50	-	-	789331050	-
10	60	-	-	789331060	-
10	70	-	-	-	789331070
10	80	-	-	-	789331080
10	90	-	-	-	789331090
10	100	-	-	-	7893310100
12	50	-	-	-	789331250
12	60	-	-	-	789331260
12	70	-	-	-	789331270
12	80	-	-	-	789331280
12	90	-	-	-	789331290
12	100	-	-	-	7893312100
12	120	-	-	-	7893312120

#### METRIC SCREW

STAINLESS STEEL A4 cylindrical head screw with cross head.

UNI 7687 - DIN 7985.

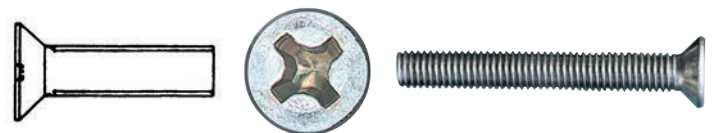


Ø mm	Length mm	100 pcs.	50 pcs.	25 pcs.
3	14	787985314	-	-
3	20	787985320	-	-
3	25	787985325	-	-
3	30	787985330	-	-
4	14	787985414	-	-
4	20	787985420	-	-
4	30	787985430	-	-
4	40	787985440	-	-
5	14	787985514	-	-
5	20	787985520	-	-
5	30	787985530	-	-
5	40	787985540	-	-
5	50	787985550	-	-
6	20	787985620	-	-
6	30	787985630	-	-
6	40	787985640	-	-
6	50	-	787985650	-
6	60	-	787985660	-
8	30	-	787985830	-
8	40	-	-	787985840

#### METRIC SCREW

STAINLESS STEEL A4 cross recessed countersunk flat head screw.

UNI 7688 - DIN 965.



Ø mm	Length mm	100 pcs.	50 pcs.	25 pcs.	10 pcs.
3	14	78965314	-	-	-
3	20	78965320	-	-	-
3	25	78965325	-	-	-
3	30	78965330	-	-	-
4	10	78965410	-	-	-
4	16	78965416	-	-	-
4	20	78965420	-	-	-
4	30	78965430	-	-	-
4	40	78965440	-	-	-
5	20	-	78965520	-	-
5	30	-	78965530	-	-
5	40	-	78965540	-	-
5	50	-	78965550	-	-
6	20	-	78965620	-	-
6	30	-	78965630	-	-
6	40	-	78965640	-	-
6	50	-	-	78965650	-
6	60	-	-	78965660	-
8	20	-	-	78965820	-
8	30	-	-	-	78965830
8	40	-	-	-	78965840
8	50	-	-	-	78965850
8	60	-	-	-	78965860
8	70	-	-	-	78965870

### A4 NUT AND WASHER

#### NUT

STAINLESS STEEL A4 Hexagonal nut  
UNI 5588 - DIN 934.



Ø mm	100 pcs.	50 pcs.
M3	799343	-
M4	799344	-
M5	799345	-
M6	799346	-
M8	-	799348
M10	-	7993410
M12	-	7993412

#### SELF LOCKING NUT

STAINLESS STEEL A4 self-locking nut.  
UNI 7474 - DIN 985.



Ø mm	50 pcs.
M4	799854
M5	799855
M6	799856
M8	799858
M10	7998510
M12	7998512

#### CAP NUT

STAINLESS STEEL A4 cap nut.  
UNI 5721 - DIN 1587.



Ø mm	25 pcs.	10 pcs
M4	7915874	-
M5	7915875	-
M6	7915876	-
M8	7915878	-
M10	-	79158710
M12	-	79158712

#### WING NUT

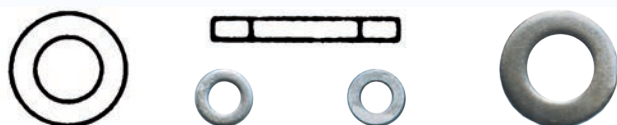
STAINLESS STEEL A4 wing nut.  
UNI 5448 - DIN 315 AF.



Ø mm	25 pcs.	10 pcs
M4	793154	-
M5	793155	-
M6	793156	-
M8	793158	-
M10	-	7931510
M12	-	7931512

#### FLAT WASHER

STAINLESS STEEL A4 flat washer.  
UNI 6592 - DIN 125 A.



Ø mm	100 pcs.	25 pcs.
3	791253	-
4	791254	-
5	791255	-
6	791256	-
8	791258	-
10	-	7912510
12	-	7912512
14	-	7912514
16	-	7912516

#### FLAT WASHER 3 TIMES BOLT DIAM

Flat washer 3 TIMES BOLT DIAM in STAINLESS STEEL A4.  
DIN 9021.



internal Ø mm	external Ø mm	100 pcs.	50 pcs.	25 pcs.
3	9	79339	-	-
4	12	793412	-	-
5	15	793515	-	-
6	18	793618	-	-
8	24	-	793824	-
10	30	-	-	7931030
12	36	-	-	7931236

#### FLAT WASHER 4 TIMES BOLT DIAM

Flat washer 4 TIMES BOLT DIAM in STAINLESS STEEL A4.  
DIN 9021.



internal Ø mm	external Ø mm	50 pcs.	25 pcs.
3	12	794312	-
4	16	794416	-
5	20	794520	-
6	24	794624	-
8	32	-	794832
10	40	-	7941040
12	48	-	7941248

#### SPLIT LOCK WASHER

STAINLESS STEEL A4 grower washer.  
DIN 127 TYPE B.



internal Ø mm	100 pcs.	50 pcs.	25 pcs.
3	791273	-	-
4	791274	-	-
5	791275	-	-
6	791276	-	-
8	791278	-	-
10	7912710	-	-
12	-	7912712	-
14	-	-	7912714
16	-	-	7912716



### A4 SELF-TAPPING SCREWS

#### SELF-THREADING SCREW

STAINLESS STEEL A4 cylindrical head cross head self-threading screw.  
UNI 6954 - DIN 7981.



Ø mm	Length mm	100 pcs.
2,9	10	7879812910
2,9	13	7879812913
2,9	19	7879812919
3,5	10	7879813510
3,5	13	7879813513
3,5	16	7879813516
3,5	19	7879813519
3,5	25	7879813525
3,5	32	7879813532
3,9	10	7879813910
3,9	16	7879813916
3,9	19	7879813919
3,9	25	7879813925
3,9	32	7879813932
3,9	38	7879813938
4,2	10	7879814210
4,2	16	7879814216
4,2	19	7879814219
4,2	25	7879814225
4,2	32	7879814232
4,2	38	7879814238

Ø mm	Length mm	100 pcs.
4,2	45	7879814245
4,8	16	7879814816
4,8	19	7879814819
4,8	25	7879814825
4,8	32	7879814832
4,8	38	7879814838
4,8	45	7879814845
4,8	50	7879814850
5,5	19	7879815519
5,5	25	7879815525
5,5	32	7879815532
5,5	38	7879815538
5,5	45	7879815545
5,5	50	7879815550
5,5	60	7879815560
6,3	19	7879816319
6,3	25	7879816325
6,3	38	7879816338
6,3	50	7879816350
6,3	60	7879816360

#### SELF-THREADING SCREW

STAINLESS STEEL A4 cross recessed flat countersunk self-threading screw.  
UNI 6955 - DIN 7982.



Ø mm	Length mm	100 pcs.
2,9	13	7879822913
2,9	19	7879822919
2,9	22	7879822922
3,5	13	7879823513
3,5	16	7879823516
3,5	19	7879823519
3,5	25	7879823525
3,5	32	7879823532
3,5	38	7879823538
3,9	13	7879823913
3,9	16	7879823916
3,9	19	7879823919
3,9	25	7879823925
3,9	32	7879823932
3,9	38	7879823938
4,2	16	7879824216
4,2	19	7879824219
4,2	25	7879824225
4,2	32	7879824232
4,2	38	7879824238
4,2	45	7879824245

Ø mm	Length mm	100 pcs.
4,8	16	7879824816
4,8	19	7879824819
4,8	25	7879824825
4,8	32	7879824832
4,8	38	7879824838
4,8	45	7879824845
4,8	50	7879824850
5,5	19	7879825519
5,5	25	7879825525
5,5	32	7879825532
5,5	38	7879825538
5,5	50	7879825550
5,5	60	7879825560
6,3	19	7879826319
6,3	25	7879826325
6,3	32	7879826332
6,3	38	7879826338
6,3	50	7879826350
6,3	60	7879826360
6,3	70	7879826370

#### SELF-THREADING SCREW

STAINLESS STEEL A4 self-threading screw with countersunk flat head with cross-cut cap

UNI 6956 - DIN 7983.



Ø mm	Length mm	100 pcs.
2,9	10	7879832910
2,9	13	7879832913
2,9	16	7879832916
2,9	19	7879832919
2,9	22	7879832922
3,5	10	7879833510
3,5	13	7879833513
3,5	19	7879833519
3,5	25	7879833525
3,5	32	7879833532
3,9	10	7879833910
3,9	16	7879833916
3,9	19	7879833919
3,9	22	7879833922
3,9	25	7879833925
3,9	32	7879833932
3,9	38	7879833938
4,2	10	7879834210
4,2	16	7879834216
4,2	19	7879834219

Ø mm	Length mm	100 pcs.	50 pcs.	25 pcs.
4,2	25	7879834225	-	-
4,2	32	7879834232	-	-
4,2	38	7879834238	-	-
4,2	45	7879834245	-	-
4,8	16	7879834816	-	-
4,8	19	7879834819	-	-
4,8	25	7879834825	-	-
4,8	32	7879834832	-	-
4,8	38	7879834838	-	-
4,8	50	7879834850	-	-
5,5	19	7879835519	-	-
5,5	25	7879835525	-	-
5,5	32	7879835532	-	-
5,5	45	7879835545	-	-
5,5	50	7879835550	-	-
6,3	22	7879836322	-	-
6,3	38	-	7879836338	-
6,3	50	-	7879836350	-
6,3	60	-	-	7879836360
6,3	70	-	-	7879836370



CUSHIONS

WATERPROOF CUSHIONS FOR OUTDOOR USE

Set of 2 cushions made of waterproof fabric that keeps the padding dry at all times and allows them to be cleaned easily with a damp cloth. All cushions are WITH INCLUDED PADDING and ARE SOLD IN PAIR.

Technical features

Dimensions 300 x 400 mm  
400 x 600 mm



Colour	
<b>Aquamarine and white</b> <b>126090</b>	<b>Blue Navy and white</b> <b>126094</b>

WATERPROOF CUSHIONS FOR OUTDOOR USE

Set of 2 cushions made of waterproof fabric that keeps the padding dry at all times and allows them to be cleaned easily with a damp cloth. They are considered windproof because they have a top that holds them together, allowing them to be tied to avoid falling overboard with a wind or sea blow. All cushions are WITH INCLUDED PADDING and ARE SOLD IN PAIR.

	Colour	Dimensions mm
<b>126091</b>	Aquamarine and white	400 x 400
<b>126095</b>	Blue Navy	400 x 400



CARPETS

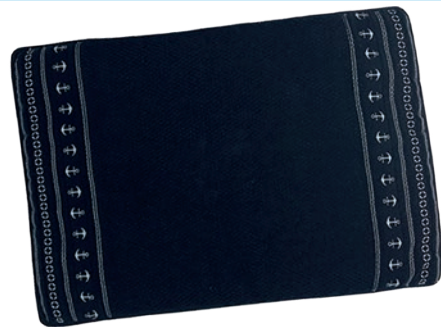
SPONGE MAT

Sponge mat with anti-slip base.

Technical features

Length 600 mm  
Width 450 mm

**503952** Sponge mat with anti-slip base. Blue colour.



WELCOME ON BOARD MAT

Technical features

Length 750 mm  
Width 500 mm

**503960** Non-slip " WELCOME ON BOARD" soft-loop like fabric mat. Stylish, practical, sturdy and U.V. rays resistant.



REGATTA NON-SLIP MAT

Technical features

Dimensions 750 x 500 mm

**503972** High-quality UV-resistant carpet with non-slip base.



SAILOR NON-SLIP MAT

Technical features

Dimensions 750 x 500 mm

**503974** High-quality UV-resistant carpet with non-slip base.





# RUBBER BANDS AND TIE-DOWN STRAPS

BIMINI TOPS

## BIMINI TOPS

### BELT STRETCHER FOR BIMINI TOPS



#### Technical features

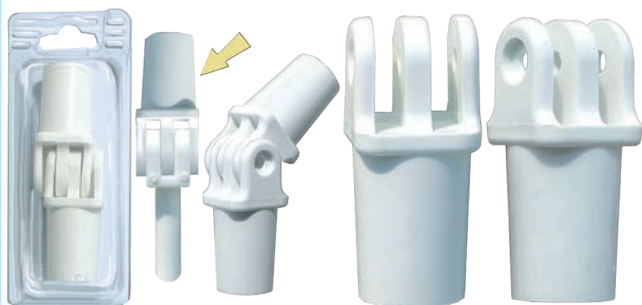
Maximum total length	160 cm
Minimum total length	76 cm

**127099** Pair of belt stretchers for bimini tops complete with adjustable buckle and snap hooks made of **STAINLESS STEEL**.

## ACCESSORIES FOR BIMINI TOPS

### JOINT

Jointed joint with pipe holder for bimini tops.



hole Ø mm	10 pcs 127485	2 pcs blister 127485B
20	<b>127485</b>	<b>127485B</b>
22	<b>127486</b>	<b>127486B</b>

### STAINLESS STEEL AISI 316 OPENING JOINT WITH FIXING LEVER AND REMOVABLE PIN

STAINLESS STEEL AISI 316 openable jaw slide with removable pin.



	For pipe Ø mm
<b>127160</b>	22
<b>127165</b>	25
<b>127166</b>	30
<b>127167</b>	32

## PLASTIC HOOKS

### NYLON SNAP HOOK



#### Technical features

Eye diameter	9,25 mm
--------------	---------

**339118** Strong snap hook made of white-colored nylon. 10 pcs package.



### NYLON HOOK FOR PIPE

Nylon hook for pipe, ideal for fixing elastic rope



	hose Ø mm	Ø elastic rope mm	pc 10
<b>339130</b>	20	8	10
<b>339135</b>	25	8	10

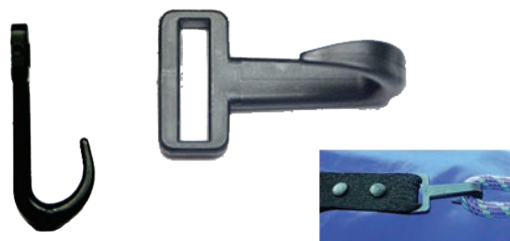
### HOOK FOR STRAP



#### Technical features

Strap holder width	25 mm
--------------------	-------

**339145** Acetal resin hook for belt. 10 pcs package.







### SNAP HOOK

Nylon snap hook with self-locking snap fastening system for bungee cords.

	Ø elastic rope mm	
<b>339165</b>	5 - 6	pc 10
<b>339168</b>	8	10



### SWIVEL SNAP HOOK FOR RIBBON

Acetal resin snap hook with swivel eye for ribbon.

	Strap holder width mm	Total width mm	Total length mm	
<b>339173</b>	30	39,79	66,86	pc 10
<b>339174</b>	40	50	67,86	10
<b>339175</b>	50	58,70	68,58	10



### SNAP HOOK FOR RIBBON

Acetal resin snap hook for ribbon.

	Strap holder width mm	Total width mm	Total length mm	
<b>339183</b>	30	40,31	58,92	pc 10
<b>339184</b>	40	50,06	61,12	10
<b>339185</b>	50	57,89	58,49	10



## FASTENING STRAPS AND ACCESSORIES

### SNAP BUCKLE WITH SAFETY

Acetal resin plug-in buckle with safety: opening involves a manual action that cannot be done by children.

	For tape size mm	
white		pieces
<b>333012</b>	25	10
<b>333015</b>	50	10



### NYLON BUCKLE

		For tape size mm	
black	white		pc
<b>502985</b>	<b>502986</b>	30	10
<b>502990</b>	-	50	10



### D RING

Nylon "D" ring.

	For tape size mm	
white		pieces
<b>333052</b>	20	10
<b>333053</b>	30	10
<b>333054</b>	40	10
<b>333055</b>	50	10





### TRIANGULAR RING

Nylon triangular ring.

○ white	For tape size mm	 pieces
<b>333062</b>	20	10
<b>333063</b>	30	10
<b>333064</b>	40	10



### BUCKLE FOR BIMINI TOPS AND CUSHIONS

Acetal resin buckle for bimini tops and cushions.

#### Technical features

For tape size	20 mm
Width	28 mm
Length	32 mm
Thickness	15 mm

● black	○ white	For tape size mm	Width mm	Length mm	Thickness mm	 pieces
<b>502997</b>	<b>502997W</b>	20	26	32	13	10
<b>502998</b>	<b>502999</b>	28	34	53	15	10



### BUCKLE FOR BIMINI TOPS AND CUSHIONS

Buckle for bimini tops and cushions made of acetal resin with rivetable flaps.

#### Technical features

For tape size	20 mm
Width	57 mm
Length	32 mm
Thickness	15 mm

○ white	● black	 pieces
<b>503000</b>	<b>503001</b>	10



### STAINLESS STEEL LOCKING BUCKLE

#### Technical features

For tape size	40 mm
---------------	-------

**503005** Adjustable locking buckle made of **STAINLESS STEEL**.

## HANDRAIL SAFETY NETS



### ELASTIC NET OBJECT-HOLDER

#### Technical features

Length	275 mm
Height	115 mm
Thickness	32 mm

**601153** Net objects holder with ABS case and PVC net.

## THRUSTERS



### PROPELLER FOR BOW THRUSTER

#### Technical features

Number of propeller blades	5
----------------------------	---

	Propeller	For model
<b>733011</b>	Right	BTQ 110
<b>733012</b>	Right	BTQ 125
<b>733014</b>	Right	BTQ 140
<b>733018</b>	Right	BTQ 185
<b>733018L</b>	Left	BTQ 185
<b>733025</b>	Right	BTQ 250
<b>733025L</b>	Left	BTQ 250

## STABILIZING SYSTEMS FOR OUTBOARDS

### STREAMLINED STABILIZING SYSTEM FOR OUTBOARDS

**070405** Made of high-strength technological copolymer, these stabilizers have a new hydrodynamic profile for propeller's protection. They make glide much easier, prevent cavitation, promote optimum horizontal seating, make the steering wheel more responsive and reduce fuel consumption. Universal for any **outboard engines from 40 hp to 250 hp.**



## FIBERGLASS STEERING CONSOLES

### "ALFA" STEERING CONSOLE

"ALFA" steering console made of reinforced fiberglass.

	Width cm	Depth cm	Height cm	
<b>127812</b>	41,5	40	80	console only
<b>127813</b>	41,5	40	117	complete with windshield, stainless steel handrail and hatch



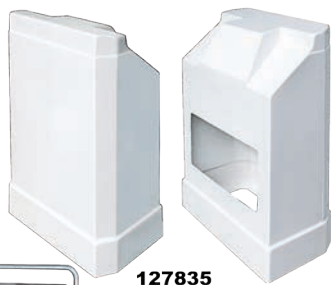
### "BRIDGE 1" STEERING CONSOLE

"BRIDGE 1" steering console made of FRP with central locker.

	Width cm	Depth cm	Height cm	
<b>127830</b>	69,5	40	88	console only
<b>127831</b>	69,5	40	117	complete with windshield, stainless steel handrail and hatch







127835



127836

## "BRIDGE 2" STEERING CONSOLE

"BRIDGE 2" steering console made of FRP with central locker.

	Width cm	Depth cm	Height cm	
127835	73,5	43	103	console only
127836	73,5	43	132	complete with windshield, stainless steel handrail and hatch

## MECHANICAL STEERING SYSTEMS ACCESSORIES



### ULTRAFLEX M47 SINGLE CABLE

M47 single cable that can be use with T71FC, T73NRFC steering system through K46 connector (our item 128658).



	Length	
	ft	m
128606	6	1,83
128607	7	2,13
128621	21	6,40
128622	22	6,71
128623	23	7,01
128625	25	7,62



### TIE BAR

Tie bar for twin outboard engines, usable in front-mounted UCI28-OBF cylinder applications.  
All parts are made of **STAINLESS STEEL**.



129041 - 129042

129043 - 129044

	Model	Engine center distance from - to inches / mm	N° cylinders UC128-OBF	N° engines
129041	A96-29	26" - 29" / 660,40 - 736,60	1	2
129042	A96-34.5	29" - 34.5" / 736,60 - 873,76	1	2
129043	A95-32	26" - 32" / 660,40 - 818,80	2	2
129044	A95-37.5	32" - 37.5" / 818,80 - 952,50	2	2

### HYDRAULIC STEERING SYSTEMS

#### ULTRAFLEX HYDRAULIC STEERING SYSTEM FOR OUTBOARD ENGINES UP TO 175 HP

##### HYTECH-OBF KIT

Complete **HYTECH-OBF** kit composed of:

- UP20F pump item 127946
- Front mount hydraulic cylinder item 127948
- 2 lt hydraulic oil item 439281
- Connectors kit

3 versions available:

- Item 127944 does not include flexible hoses and steering wheel. It requires preassembled hoses KIT OB: see items 128040 - 128052.
- Item 127944/6 includes 2 flexible 6 mt pre-assembled hoses and 2 fittings to mount at the desired length, steering wheel not included.
- Art. 127944/9 the kit includes 2 flexible 9 mt pre-assembled hoses and 2 fittings to mount at the desired length, steering wheel not included.

**HYTECH-OBF Kit**  
without hoses

**127944**

**HYTECH-OBF Kit**  
with OB/M60  
6 mts hose length

**127944/6**

**HYTECH-OBF Kit**  
with OB/M90  
9 mts hose length

**127944/9**

##### ULTRAFLEX UP20F HYDRAULIC PUMP

###### Technical Features

Mounting	front
Mounting	semi-recessed with X64 (code 127954)
Displacement/revolution	20 cc - 1.2 cu.in
Pistons number	5
Wheel turns	4,7
Maximum steering wheel diameter	508 mm - 20"
Weight	3,6 Kg

- 127946** This pump exceeds all 94/25 CE and ISO 10592 standard requirements. It is interchangeable with the corresponding Hydrflex and Teleflex Seastar.
- Manufactured using the latest technologies with corrosion proof composite housing.
  - Built-in lock valve for positive rudder lock.
  - Integrated relief valve for over-pressure protection 50 bar -700 PSI calibrated.
  - Complete with elbow fittings for 3/8"(9,5 mm) pipe.
  - To use with flexible pre-assembled hoses OB KIT: see codes 128040 - 128052.

##### PUMP MOUNTING KIT

- 127947F** X74 square flange kit for intermediate dashboard mounting of Ultraflex UP20F pump.

##### ULTRAFLEX HYDRAULIC CYLINDER

Front mounting cylinder for outboards.

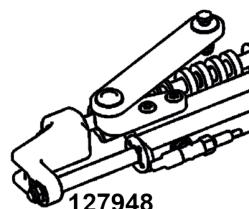
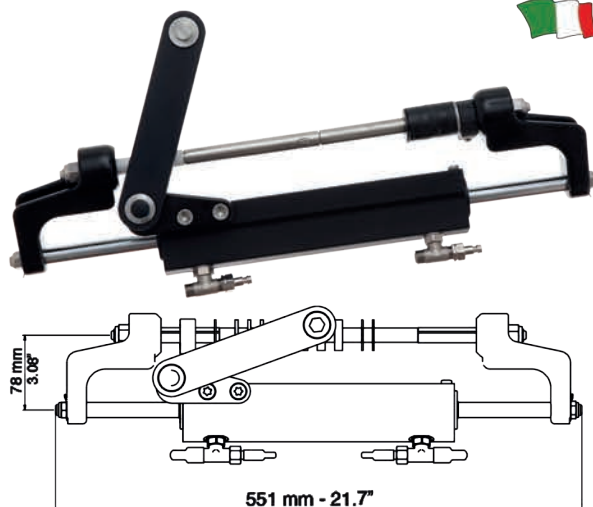
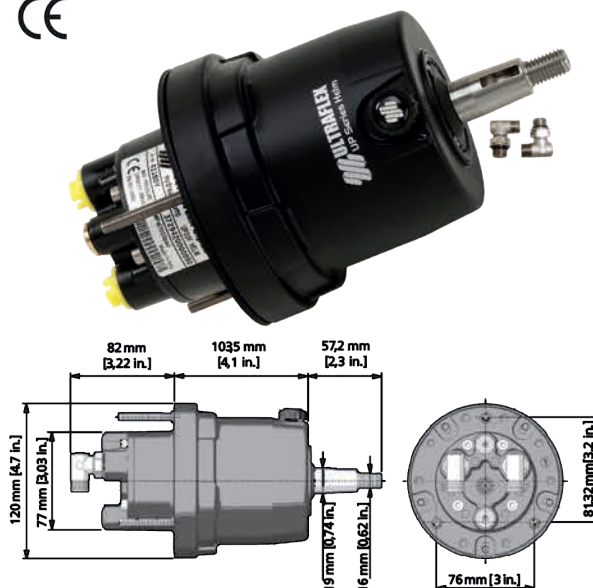
- Split and pinned cylinder mounting rod for easy installation and bushings to prevent friction with engine tilt tube.
- Balanced: the number of turns lock-to-lock is equal port to starboard.
- Requires preassembled flexible hoses KIT OB: our items from 128040 to 128052.

Depending on the applications on the outboard engines UC95-OBF cylinder is available in 2 versions (see details on UC95 table)

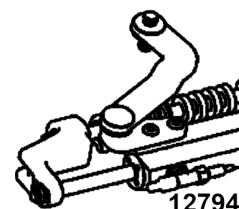
###### Technical Features

Max HP	175 HP
Volume	94 cc
Thrust	278 Kg
Maximum speed	48 knots
Internal diameter	30 mm
Stroke	186 mm
Fittings	3/8" (9,5 mm)

- 127948** Cylinder model: UC95-OBF/1. Not intended for use with Honda 115-130 HP and Mercury OPTIMAX 75-90-115-125 HP engines.
- 127949** Cylinder model: UC95-OBF/3. Same features as item 127948 but recommended for use with Honda 115-130 HP and Mercury OPTIMAX 75-90-115-125 HP engines.



127948



127949

### ULTRAFLEX HYDRAULIC STEERING SYSTEM FOR OUTBOARD ENGINES UP TO 175 HP

#### UC95-OBF CYLINDER APPLICATIONS

Outboard engines up to 175 hp and max boat speed 48 knots.

**ATTENTION PLEASE** The scheme here below has to be considered as for information and requires an attentive control by the technician. The UC95-OBF cylinder cannot be installed on powerboats.

Engine	Model	Year	Cylinder code
<b>Mercury Mariner</b>	80-75-90 2-Stroke	1990-2008	127948
	50-75-90 2-Stroke	1990-2007	127948
	75-90-115-125 Optimax 2-Stroke	2004-today	127949
	125-135-150-175 Optimax 2-Stroke	1999-today	127948
	100-115-150 EFI 2-Stroke	1999-today	127948
	40-50-60 EFI 4-Stroke	2004-today	127948
	75-80-90 EFI 4-Stroke	2000-today	127948
	100-115 EFI 4-Stroke	2007-today	127948
<b>Evinrude</b>	175-V6 4-Stroke	2018-today	127948
	E40-E50-E55-E60 2-Stroke	2004-today	127948 *
	E75-E90 2-Stroke	2004-today	127948 *
	E115-E130-E135 2-Stroke V4	1995-today	127948 *
	E130-E135 2-Stroke V4	1995-today	127948 *
<b>Yamaha</b>	E150-175 2-Stroke V6	1995-today	127948 *
	60-70 2S	1984-2008	127948
	75C-90 2-Stroke	1998-2008	127948 *
	115C-130B-150F 2-Stroke	1990-2008	127948 *
	150-175 HPDI VMAX 2-Stroke	2000-2008	127948 *
	F60-F75-F80 EFI 4-Stroke	1999-2007	127948
	F90-F100-F115-F150 EFI 4-Stroke	1999-2007	127948
<b>Honda</b>	F115-F150-F175 L4 4-Stroke	2004-today	127948
	BF75-BF90 4-Stroke	1995-today	127948
	BF80-100	2013-today	127948
	BF115D	1998-2009	127949
	BF115A	2009-today	127948
	BF130A	1998-2005	127949
<b>Suzuki</b>	BF135-150 4-Stroke	2005-today	127948
	BF175 4-Stroke	2001-today	127948
	DF70-80-90 4-Stroke	1998-today	127948 *
<b>Tohatsu Nissan</b>	DF100-115-140 4-Stroke	1998-today	127948
	DF150-175 4-Stroke	2006-today	127948
	115-120-140 2-Stroke	2004-today	127948 *
	70-90-115 TLDI 4-Stroke	2004-today	127948
	BFT60-75-90 4-Stroke	2015-today	127948
<b>Selva</b>	BFT80-100-115-150 4-Stroke	2015-today	127948
	70-90-115 TLDI 4-Stroke	2004-today	127948
	70-90-100-115 MFS 4-Stroke	2020-today	127948
	80 Portofino/Tigershark 2-Stroke	1995-today	127948
<b>Johnson</b>	150 White Shark 2-Stroke	2001-2007	127948 *
	100EFI Marlin -115 EFI Narwhal	2001-2007	127948
	150EFI Killer Whale 4-Stroke	2000-today	127948
<b>Johnson</b>	BJ90-115-140 4-Stroke	2001-2007	127948
	BJ70 4-Stroke	2001-2007	127948 *
	J90-115 V4 2S	1995-2007	127948 *
	J150-175 V6 2-Stroke	1995-2007	127948 *

\* **NOTE:** with Suzuki engines produced from 1998 to 2008 (old model) together with UC95-OBF cylinder, the adapting kit SU code 41954W is required.

\*NOTE: The UC95-OBF/2 cylinder allows a wider tilting angle.



#### REUSABLE FITTINGS

**127996/1** Two reusable fittings featuring turning nut for use with 1/4" hydraulic hose, complete with fitting for 1/4" connector. Suitable for GOTECH hydraulic steering system our code 127941.



#### CAP FOR STEERING SYSTEM

**128108** Oil deck cap with vent.





## LEVER KIT

**128186** STAINLESS STEEL X.641 lever kit compatible with MAVIMARE cylinders: MC300A (our item 128116), MC300B (our item 128113), MC300C, MC300BV.



## BRASS CONNECTOR FOR COPPER PIPES

Connector male	90° connector male	Connector female	90° connector female	Thread	For pipe Ø mm
-	-	<b>630466</b>	-	1/4"	6
<b>630448</b>	<b>630458</b>	<b>630468</b>	<b>630478</b>	1/4"	8
<b>630450</b>	<b>630460</b>	<b>630470</b>	<b>630480</b>	1/4"	10
-	-	<b>630472</b>	-	3/8"	6
-	-	<b>630474</b>	-	3/8"	8
<b>630451</b>	<b>630461</b>	<b>630475</b>	<b>630481</b>	3/8"	10
<b>630452</b>	<b>630462</b>	-	<b>630482</b>	3/8"	12
<b>630454</b>	-	-	-	1/2"	10
<b>630455</b>	-	-	<b>630483</b>	1/2"	12



## BRASS CONNECTOR FOR COPPER PIPES

Connector "Tee"	90° connector	For pipe Ø mm
<b>630486</b>	<b>630496</b>	6
<b>630488</b>	<b>630497</b>	8
<b>630490</b>	<b>630498</b>	10
<b>630492</b>	<b>630499</b>	12



## FAIRLEADS

### ROUND FAIRLEAD

#### Technical features

External dimensions	130 x 66 mm
Recessed diameter	88 mm
Height	65 mm

**310150** Fairlead made of UV-resistant polypropylene with wider outer collar to cover any pre-existing screw holes. Sturdy, easy and quick to install.



### BUSHINGS AND SLEEVE FOR CABLE PROTECTION SYSTEMS

#### Technical features

Pipe diameter	50 mm
Compatible with corrugated hose our item	310200/201 - 310198/198W

**310218** Black bushing with lateral space for fuel hose.  
**310220** Black color sleeve with side access for fuel hose.



### TILTING FLANGE

Tilting flange that allows a greater cable flow, preventing damage as it follows the movements of the engine.  
 Compatible with corrugated hose out item 310200/201 - 310198/198W.

#### Technical features

Pipe diameter	50 mm
---------------	-------

● black  
**310222**

○ white  
**310223**



## STAINLESS STEEL FUEL DECK PLATES

### STAINLESS STEEL HANDLE



**036689** Handle made of **STAINLESS STEEL AISI 316** with standard sailboat winch type octagon, ideal for opening boarding deck plates and lockers.

## PURIFYING FUEL FILTERS

### ENGINE COOLING WATER FILTER



Motor cooling water filter with transparent screw-on cover and removable filter element. The filter has a snap-on holder for easy removal. Also ideal for use with shower drain pumps.

	Ø hose fitting mm - inches	hose Ø mm	Load capacity lt/min - GPM	Dimensions mm
<b>297048</b>	12,7 - 1/2"	13	23 - 6	Ø 104 x 163h
	15,9 - 5/8"	16	35 - 9	
	19,1 - 3/4"	19	51 - 13	
	25,4 - 1"	25	91 - 24	
<b>297049</b>	31,8 - 1 1/4"	32	143 - 38	Ø 140,5 x 223h
	38,1 - 1 1/2"	38	200 - 53	



### FUEL FILTER

	FILTER	Original codes references
For inboard engines		
OMC		174144
RACOR		S3214

**297040** Universal water/fuel filter separator complete with varnished aluminium mounting bracket, ports with hose connectors, see-thru bowl and self-venting drain. 10 micron 1" - 12UNF cartridge.

CARTRIDGE							
Technical features							
H	A	B	E	D1	D2	D3	Central screw thread
mm	mm	mm	mm	mm	mm	mm	mm
105	245	70	50	93	25	94	25

**297041** 10 micron 1" - 12UNF replacement cartridge for separating filter item 297040.

BOWL	
<b>297023</b>	Transparent spare bowl complete with drain plug



### FUEL FILTER FOR DIESEL ENGINES

FILTER	
<b>297043</b>	Universal water/fuel filter separator complete with varnished aluminium mounting bracket, ports with hose connectors, see-thru bowl and self-venting drain. 21 micron 11/16" - 16UNC cartridge.

CARTRIDGE							
Technical features							
H	A	B	E	D1	D2	D3	Central screw thread
mm	mm	mm	mm	mm	mm	mm	mm
103	215	70	50	94	15	93	16

**297044** 21 micron 11/16" - 16UNC replacement filter for separating filter item 297043.

BOWL	
<b>297045</b>	Spare aluminium bowl with w/o-ring and drain plug.

**FUEL FILTER**

**FILTER**

**297047** Water/fuel separator filter for OMC-8V, Johnson Evinrude BRP and VOLVO engines, complete with painted aluminum support, fittings with 9.5 mm, 3/8" diameter hose connection and 10-micron cartridge.  
Ref. Original Code: OMC 502905.  
Universal for 2/4-stroke engines.

**CARTRIDGE**

**Technical features**

H mm	A mm	B mm	C mm	E mm	D1 mm	D2 mm	D3 mm	Central screw thread mm
110	156	69	185	47	93	35	94	23,80

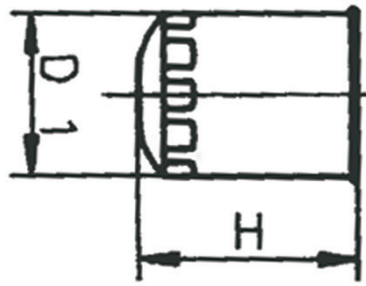
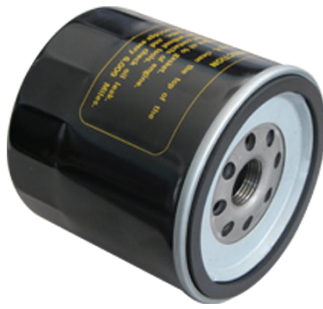
**296780** Replacement 10-micron cartridge for separator filter code 297047.





### OIL FILTERS

#### OIL FILTERS SCREW-TYPE FOR OUTBOARD ENGINES



#### EVINRUDE - JOHNSON

	Original codes references	HP	D1 mm	D2 mm	D3 mm	H mm
<b>296700</b>	434839	10 - 15	65	3/4" - 16	62	60
<b>296703</b>	778885 - 5031441	25 - 30 - 40 - 50 - 60 - 70	65	3/4" - 16	62	50
<b>296715</b>	778888 - 5035703	200 - 225	65	3/4" - 16	62	90

#### HONDA

	Original codes references	HP	D1 mm	D2 mm	D3 mm	H mm
<b>296720</b>	15400-PFB-004 / 15400-PFB-014 15400-ZW4-003 / 15400-PFB-007	8 - 9,9 - 20 - 25 - 30 - 35 - 40 - 45 - 50	68	M20 x 1,5	63	71
<b>296721</b>	15400-PFB-007 15400-FM1-F03	BF25, BF30, BF40 and BF50	66	M20 x 1,5	48	72
<b>296723</b>	15400-POH-305PE / 15400-POH-305 15400-ZJI-004 / 15400-PLM-A01PE	75 to 225	84	M20 x 1,5	63	84
<b>296726</b>	15400-RBA-FO1	80 to 130	68	M20 x 1,5	61	87

#### MERCURY

	Original codes references	HP	D1 mm	D2 mm	D3 mm	H mm
<b>296720</b>	35-822626Q03	8 - 9,9 - 15 - 20	68	M20 x 1,5	63	71
<b>296740</b>	35-822626Q2 / Q04 / Q05 / 35-8M0065103	25 - 30 - 40 - 45 - 50 - 60 - 75 - 80 - 90 - 115	65	M20 x 1,5	60	60
<b>296748</b>	35-822626Q15 / 35-822626T7	EFI 4ST 225	79	3/4" - 16	72	78
<b>296745</b>	35-877761Q01 / 35-877761K01	80-100-115	90	M22 x 1,5	64	82
<b>296750</b>	35-877767K01 - 35-877767Q01	VERADO 4 CYL. (135 - 150 - 175 - 200)	72	M24 x 1,5	69	99
<b>296751</b>	35-877769Q01 - 35-877769K01	VERADO 6 CYL. (225 - 250 - 275 - 300 - 350)	72	M24 x 1,5	69	114

#### NISSAN

	Original codes references	HP	D1 mm	D2 mm	D3 mm	H mm
<b>296721</b>	3R0076150M	9.9A - 9.9B - 9.9B2 - 9.9C - 15A - 15B - 15B2 - 15C - 18B - 18B2 - 20C - 25A - 25B - 30A - 30B	66	M20 x 1,5	48	72

#### SELVA

	Original codes references	HP	D1 mm	D2 mm	D3 mm	H mm
<b>296740</b>	-	25 - 40 - 60 - 80 - 90 - 115	65	M20 x 1,5	60	60
<b>296720</b>	5GH-13440-00	9,9 to 115	68	M20 x 1,5	63	71

#### SUZUKI

	Original codes references	HP	D1 mm	D2 mm	D3 mm	H mm
<b>296703</b>	16510 - 87J00	25 - 30 - 40 - 50 - 60 - 70	65	3/4" - 16	60	62
<b>296715</b>	16510 - 93J00	150 - 175 - 200 - 225 - 250	68	3/4" - 16	62	91

#### YAMAHA

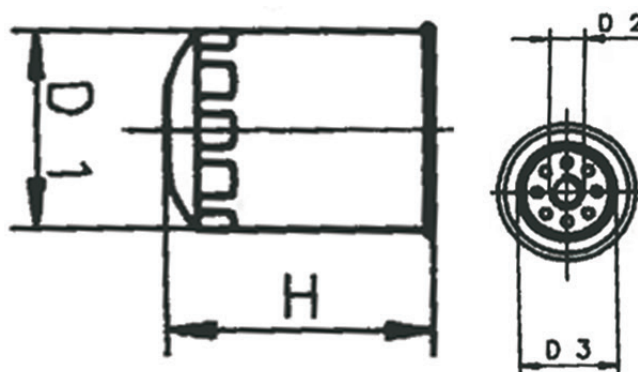
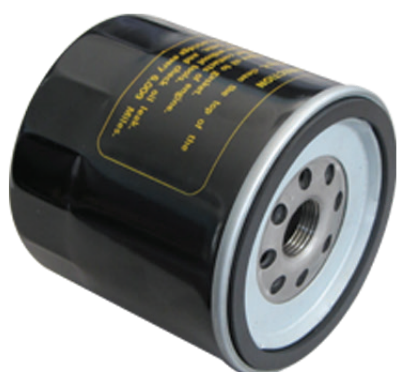
	Original codes references	HP	D1 mm	D2 mm	D3 mm	H mm
<b>296720</b>	5GH-13440-00	9,5 - 15 - 25 - 30 - 40 - 60 - 75 - 90 - 100 - 115	68	M20 x 1,5	63	71
<b>296721</b>	5GH-13440-70-00	F115, F75, F90 and LF115	66	M20 x 1,5	48	72
<b>296729</b>	3FV-13440-00 / 3FV-13440-30	F15, F25, F40, F50, F80 F100 and T50 (from 1995 to 2000)	66	M20 x 1,5	51	73
<b>296739</b>	5GH-13440-20-00 / 5GH-13440-60-00	9,9 - 100	65	M20 x 1,5	61	65
<b>296748</b>	69J-13440-00	150 - 200 - 225 - 250	79	3/4" - 16	72	78
<b>296726</b>	N 26-13440-00	225 - 250 - 300	72	M20 x 1,5	64	87

#### TOHATSU

	Original codes references	HP	D1 mm	D2 mm	D3 mm	H mm
<b>296740</b>	3R007-6150M	8 - 9 - 30	65	M20 x 1,5	60	60



### SCREWABLE OIL FILTERS FOR INBOARD AND OUTBOARD ENGINES



### MERCURISER

Original codes references	HP	D1 mm	D2 mm	D3 mm	H mm
<b>296795</b> 14957 / 35-802885 / 35-866340Q03 / 35-866340K01	120 > 262 - 3.0 L - LX 3.7 - LX 320 EFI - 340 - 450 - 4.3 L LX LXH - 5.0 L, 5.7 L - LX 350 454 496 MAG 502 EFI MAG MPI - 7.41 L LX 811 - 8.2 L - MX 6.2 L	95	13/16" - 16	87	95

### FUEL LEVEL GUAGES AND SENDERS

#### MECHANICAL LEVEL SENDER

Mechanical vertical level sender for tanks with 5-hole bezel.



	Height mm	Suitable for tanks items
<b>300206</b>	190	-
<b>300207</b>	220	300143 - 300144 - 300145
<b>300208</b>	265	300134 - 300135 - 300136 300147 - 300148 - 300149
<b>300209</b>	285	300154 - 300155 - 300156
<b>300210</b>	370	300161 - 300162 - 300163 300178 - 300179



### FUEL CONNECTORS

#### CONNECTOR FOR MERCURY - MARINER ENGINES

##### FEMALE CONNECTOR

Type
<b>300371</b> Female connector MERCURY-MARINER suitable both fuel lines engine side and for fuel lines YAMAHA tank side.
<b>300382</b> Female connector MERCURY-MARINER for fuel lines engine side double air-tight Silver model.
<b>300447</b> Female connector for MERCURY-MARINER fuel lines.
<b>300378</b> Female connector MERCURY for fuel line engine side - old type.
<b>300381</b> Female connector MERCURY-MARINER for fuel lines engine side.
<b>300383</b> Female connector MERCURY-MARINER for fuel line tank side.
<b>300384</b> Female connector MERCURY-MARINER for fuel line tank side double air-tight Silver model.
<b>300440</b> MERCURY female connector tank side for hoses 5/16" 10 mm.
<b>300445</b> Female connector MERCURY. Tank side (latest models).



##### MALE CONNECTOR

Type
<b>300376</b> Male connector MERCURY-MARINER tank side.
<b>300380</b> Male connector MERCURY - MARINER for fuel line tank side.
<b>300385</b> Male connector MERCURY-MARINER with valve for engines.
<b>300430</b> Male connector MERCURY-MARINER "T" shaped to connect one tank with two engines and viceversa.
<b>300446</b> Threaded male connector MERCURY tank side.
<b>300444</b> Threaded male connector MERCURY tank side (latest models).



## ELECTRIC PUMP FOR DIESEL FUEL TRANSFER AND REFUELLING

### BATTERY-POWERED FUEL AND LIQUID TRANSFER PUMP



This pump has been developed to make refuelling and transferring fuel and liquids easier. Available in two versions: with AA battery power and with lithium battery. Fitted with a sensor that automatically stops it when the tank is filled. Can be used for transferring (non-drinking) water, petrol, diesel, antifreeze, light oil, detergents etc.

	Battery	Volts	Max flow rate GPM - l/min	Max head m
599900	4 AA batteries (not included)	3	2.4 - 9	1,5
599901	lithium battery (included)	3,7	3.2 - 12	2,5

### 12 V OIL CHANGE KIT



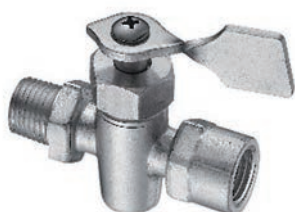
#### Technical features

Voltage	12 Volt
Consumption	2 Amp
Fuse	5 Amp
Load capacity	1.5 GPM – 5,6 l/min
Battery cable length	2 m
Suction hose length	2,4 m
Weight	1,69 Kg

- 600422** This system is able to efficiently and autonomously suck in motor oil, inboard and outboard oil directly from yachts, boats, campers, gardening machines etc. Equipped with a high-temperature resistant pump that can quickly and safely replace exhausted engine oil in a simple and cost-effective manner. The kit is composed of:
- Self-priming pump up to 1.5 m, can run dry, with thermal overload protection
  - Battery terminals and on-off switch to make the pumping process quick and easy
  - High-temperature resistant 14-liter portable bucket, fully assembled and secured to prevent wobbling and spilling, easy to empty and transport.
  - Vent hole to prevent the barrel from expanding and being unable to pump oil
  - Drain nozzle for easy pouring.

## ACCESSORIES AND SPARE PARTS FOR TANKS

### 2-WAY MALE/FEMALE VALVE



- 297071** 2-way male/female brass valve with 1/4" NPT thread.





**EXHAUST SYSTEMS FOR INBOARD ENGINES**

**S.STEEL AISI 316 EXHAUST PIPE**

STAINLESS STEEL AISI 316 exhaust pipe with rubber check valve. Threaded internal holes for fixing with hidden screws.

	Diameter bezel mm	Length total mm	For exhaust hoses diameter mm
290013	75	100	40
290014	80	100	45
290015	85	100	50
290016	94	100	60
290017	110	115	75
290018	123	140	90
290019	140	150	100



**AMITA 3 ALUMINIUM PROPELLERS- 4**

**SOLAS AMITA 3 BLADES ALUMINIUM PROPELLERS - T5 GROUP**

DIAMETER - PITCH	7,80 X 6	7,80 X 7	7,80 X 8	7,80 X 9	CODE MULTI-FIT KIT
PROPELLERS CODE	711286	711287	711288	711289	NO KIT
JOHNSON - EVINRUDE	4 and 6 (4S) from 2011				NO KIT
MERCURY	4hp,5hp,6hp (4T from 2011 onwards)				NO KIT
TOHATSU	5 (2S) 4, 5 and 6 (4S)				NO KIT

**SOLAS AMITA 3 BLADES ALUMINIUM PROPELLERS - MA GROUP**

DIAMETER - PITCH	9,25 X 8	9,25 X 9	9,25 X 10	9,25 X 11	CODE MULTI-FIT KIT
PROPELLERS CODE	724018	724019	724020	724021	NO KIT
MERCURY	6, 8, 9.9, 10, 15 (2S) 9.9, 15 (4S up to 2006)				NO KIT

**SOLAS AMITA 3 BLADES ALUMINIUM PROPELLERS - Y8 GROUP**

DIAMETER - PITCH	8,50 X 7	8,50 X 8	8,50 X 9	CODE MULTI-FIT KIT
PROPELLERS CODE	723997	723998	723999	NO KIT
YAMAHA	6, 8 (2S - 4S) 9.9 (from 2008 4S)			NO KIT
SELVA	8 RAY (4S), 9.9 PIKE (4S from 2008)			NO KIT
PARSUN	F-6BML, F-8BML, F-9.8 BML			NO KIT

**SOLAS AMITA 3 BLADES ALUMINIUM PROPELLERS - OA GROUP**

DIAMETER - PITCH	9,25 X 7	9,25 X 8	9,25 X 9	9,25 X 10	9,25 X 11	9,25 X 12	CODE MULTI-FIT KIT
PROPELLERS CODE	711427	711428	711429	711430	711431	711432	NO KIT
JOHNSON - EVINRUDE	9.9 and 15 (2S) 9.9~15 (4S up to 2001)						NO KIT

**SOLAS AMITA 3 BLADES ALUMINIUM PROPELLERS - T8 GROUP**

DIAMETER - PITCH	8,50 X 7	8,50 X 8	8,50 X 9	CODE MULTI-FIT KIT
PROPELLERS CODE	724003	724004	724005	NO KIT
JOHNSON - EVINDURE	10R4, 10RL4, (9.8 hp 4ST from 2011)			NO KIT
MERCURY	8 and 9.9 (4ST) from 2007			NO KIT
TOHATSU	6, 8, 9,8 (2ST) 8 and 9.8 (4ST)			NO KIT

**SOLAS AMITA 3 BLADES ALUMINIUM PROPELLERS - YA GROUP**

DIAMETER - PITCH	9,25 X 7	9,25 X 8	9,25 X 9	9,25 X 10	9,25 X 11	9,25 X 12	CODE MULTI-FIT KIT
PROPELLERS CODE	724007	724008	724009	724010	724011	724012	NO KIT
YAMAHA	9.9, 15 (2 STROKE) 9.9 (4S up to 2007), 15, 20 (4S)						NO KIT
HONDA	9.9A, 15A, 8D, 10D, 15D, 20D						NO KIT
SELVA	9.9 (up to 2007) 15, 20 (WAHOO 4S)						NO KIT
PARSUN	F-9.9 FWL, F-15 BML						NO KIT



# PROPELLERS

AMITA 3 ALUMINIUM PROPELLERS- 4

## SOLAS AMITA 3 BLADES ALUMINIUM PROPELLERS - SA GROUP

DIAMETER - PITCH	9,25 X 8	9,25 X 9	9,25 X 10	9,25 X 11	9,25 X 12	CODE MULTI-FIT KIT
PROPELLERS CODE	724028	724029	724030	724031	724032	
JOHNSON - EVINRUDE	9.9, 15 (4S from 2002 to 2007)					NO KIT
SUZUKI	DT9.9, 15 (2S - 4S) DF8A, DF9A, DF9.9A, DF15A, DF20A (4S)					NO KIT

## SOLAS AMITA 3 BLADES ALUMINIUM PROPELLERS - TA GROUP

DIAMETER - PITCH	9,25 X 8	9,25 X 9	9,25 X 10	9,25 X 11	9,25 X 12	CODE MULTI-FIT KIT
PROPELLERS CODE	724038	724039	724040	724041	724042	
TOHATSU	9.9, 15, 18 (2S - 4S)					NO KIT
MERCURY	9.9 BIG FOOT (4S from 2007 until today) 15, 20 (4S from 2007 until today)					NO KIT
JOHNSON - EVINRUDE	15HP R4/R14/15HP TE/TEL/PL (4S), 15HP 4S from 2011					NO KIT

## SOLAS AMITA 3 BLADES ALUMINIUM PROPELLERS - MB GROUP

DIAMETER - PITCH	10,50 X 11	10,30 X 12	10,10 X 13	10 X 14	CODE MULTI-FIT KIT
PROPELLERS CODE	724111	724112	724113	724114	
MERCURY	20, 25 (2S) 9.9, 15 BIG FOOT, 25 (4S up to 2006)				NO KIT

## SOLAS AMITA 3 BLADES ALUMINIUM PROPELLERS - YB GROUP

DIAMETER - PITCH	9,90 X 9	9,90 X 10	9,90 X 11	9,90 X 12	9,90 X 13	CODE MULTI-FIT KIT
PROPELLERS CODE	724209	724210	724211	724212	724213	
YAMAHA	20 (2S), MARINER 30 (2S) 25(2S - 4S)					NO KIT
SELVA	25 (4S MORAY - 4S KINGFISH)					NO KIT
PARSUN	F-20 BMS/BML, F-25 BMS/BML					NO KIT

## SOLAS AMITA 3 BLADES ALUMINIUM PROPELLERS - TB GROUP

DIAMETER - PITCH	9,90 X 10	9,90 X 11	9,90 X 12	9,90 X 13	CODE MULTI-FIT KIT	
PROPELLERS CODE	724310	724311	724312	724313		
HONDA	25, 30					NO KIT
TOHATSU	25, 30 (2S - 4S) MAXI (2S)					NO KIT
MERCURY	25, 30 (4S from 2007)					NO KIT

## SOLAS AMITA 3 BLADES ALUMINIUM PROPELLERS - SB GROUP

DIAMETER - PITCH	10,50 X 11	10,30 X 12	10,10 X 13	10 X 14	CODE MULTI-FIT KIT
PROPELLERS CODE	724411	724412	724413	724414	
JOHNSON - EVINRUDE	25, 30 (4S)				NO KIT
SUZUKI	20, 25, 30 (2S) - 25 - 30 (4S)				NO KIT

## SOLAS AMITA 3 BLADES ALUMINIUM PROPELLERS - OB GROUP

DIAMETER - PITCH	10,50 X 11	10,30 X 12	10,10 X 13	10 X 14	CODE MULTI-FIT KIT
PROPELLERS CODE	724421	724422	724423	724424	
JOHNSON - EVINRUDE	20, 25, 30 and 35 (2S) 25, 30 EVINRUDE E-TEC				NO KIT
SELVA	ANTIBES 20 XS, ANTIBES 25/30, MAIORCA 35				NO KIT

## MULTI-FIT KIT

Engine Brand	Model	Tooth spline	Group	CODE MULTI-FIT KIT
MERCURY	UMC-KIT	13	YC	722501
	UMD-KIT	15	YD	722502
MERCURY - MERCUISER	UME-KIT	15	YE	722503
TOHATSU	UTC-KIT	13	YC	722508
	TD-RBKT	15	YE	722509
HONDA - TOHATSU (Honda production)	UHD-KT	15	YD	722515
	UHE-KT	15	YE	722516

# PROPELLERS

AMITA 3 ALUMINIUM PROPELLERS- 4



## SOLAS AMITA 3 BLADES ALUMINIUM PROPELLERS - YC GROUP

DIAMETER - PITCH	12,10 X 9	11,80 X 10	11,60 X 11	11,40 X 12	11,10 X 13	11,10 X 14	11 X 15	11 X 17	CODE MULTI-FIT KIT
PROPELLERS CODE	724509	724510	724511	724512	724513	724514	724515	724517	
YAMAHA	40, 50, 55, 60 (from '91), TOP 700 (2S) 30 e 40 (3 Cyl. 4S), 40 (4 Cyl. 4S), 50, 60 (4S)								NO KIT
MERCURY	40, 50, 60 (2S) 30, 40, 50, 60 (4S)								722501
JOHNSON - EVINRUDE	40, 50, 60 (4S)								NO KIT
SUZUKI	40, 50, 55, 60, 65 (2S) 40, 50, 60 (4S)								NO KIT
HONDA	40, 50, 60 BF40A, BF40D, BF50D								NO KIT
SELVA	MANTA40, BARRACUDA 40/50, 40 EFI (4S), ARUANA 747cc, 40/60 EFI (4S), DORADO 996 cc								NO KIT
TOHATSU	40, 50, 60 (2S - 4S), CORSA (2S) - MERCURY 40XR (2S), BFT60								722508
PARSUN	T35, T40								NO KIT

## SOLAS AMITA 3 BLADES ALUMINIUM PROPELLERS - OC GROUP

DIAMETER - PITCH	12,50 X 13	12,50 X 14	12,25 X 15	CODE MULTI-FIT KIT
PROPELLERS CODE	724523	724524	724525	
JOHNSON - EVINRUDE	40, 50, 60 (2S), 737			NO KIT
SELVA	MADEIRA 40/50, S. TROPEZ 40/60			NO KIT

## SOLAS AMITA 3 BLADES ALUMINIUM PROPELLERS - YC PLUS GROUP

DIAMETER - PITCH	11,80 X 11	11,60 X 12	11,60 X 13	11,60 X 14	11,40 X 15	CODE MULTI-FIT KIT
PROPELLERS CODE	724541	724542	724543	724544	724545	
YAMAHA	40D, 50, 60 (4 Cyl. - 4S)					NO KIT
SUZUKI	40, 50, 60 (4S)					NO KIT
HONDA	BF40, BF50, BF60					NO KIT
EVINRUDE	40, 50, 60 (4S)					NO KIT
MERCURY	40, 50, 60 (4S)					722501
TOHATSU	40, 50, 60 (4S) BFT60 (Honda production)					722508 NO KIT
SELVA	40/60 EFI (4S), DORADO, ARUANA					NO KIT
PARSUN	T35, T40					NO KIT

## SOLAS AMITA 3 BLADES ALUMINIUM PROPELLERS - YD GROUP

DIAMETER - PITCH	14 x 11	13,75 X 13	13,50 X 14	13,50 X 15	13,25 X 17	13 X 19	13 X 21	CODE MULTI-FIT KIT
PROPELLERS CODE	724711	724713	724714	724715	724717	724719	724721	
YAMAHA	60 (year '92), 70, 75, 90, 100, 115, 130, 140 (2S) 40G, 70, 75, 80, 90, 100, 115, 130 (4S)							NO KIT
MERCURY	F40EFI PRO NEW, 40 BIG FOOT, 75, 80, 90, 100, 115, 125 (2S - 4S)							722502
SUZUKI	NO STICKY							NO KIT
HONDA	75, 90, 80 new, 100 new, 115 (up to 2009), 130							722515
SELVA	40/60 EFI MURENA, 80/100 EFI MARLIN, 115 NARWHAL, 115 EFI TARPON							NO KIT
TOHATSU	70 (from '99 to 2002), 75, 90, 115, 120, 140 (up to 2002) BFT 75, 90, 115 (from 2003) use KIT TD-RBKT our code 722509 BFT75, BFT 90, BFT 115 (Honda production) use KIT UHD-KT our code 722515							NO KIT
PARSUN	T75, T85, T90							NO KIT

## SOLAS AMITA 3 BLADES ALUMINIUM PROPELLERS - YD GROUP "K" TYPE

DIAMETER - PITCH	13,50 X 13	13,40 X 15	13,20 X 17	13,10 X 19	CODE MULTI-FIT KIT
PROPELLERS CODE	724643	724645	724647	724649	
YAMAHA	60, 70, 75, 90, 100, 115, 130 e 140 (2S) 40G, 70, 80, 90, 100, 115, 130(4S)				NO KIT

## SOLAS AMITA 3 BLADES ALUMINIUM PROPELLERS - OD GROUP

DIAMETER - PITCH	13,75 X 13	13,50 X 15	13,25 X 17	13 X 19	CODE MULTI-FIT KIT
PROPELLERS CODE	724813	724815	724817	724819	
JOHNSON - EVINRUDE	70, 75, 90, 100, 115, 120, 140 (2S) 40, 50, 60, 75, 90, 115 (EVINRUDE E-TEC)				NO KIT
SUZUKI	75, 90, 100, 115, 140 (2S) 60, 70 (4S old models)				NO KIT
SELVA	TENERIFE 70, BEST 800, PORTOFINO 70/80, MONTECARLO 90/100				NO KIT





# PROPELLERS

AMITA 3 ALUMINIUM PROPELLERS- 4

## SOLAS AMITA 3 BLADES ALUMINIUM PROPELLERS - S14 GROUP

DIAMETER - PITCH	13,87 X 17	13,87 X 19	13,87 X 21	CODE MULTI-FIT KIT
PROPELLERS CODE	724827	724829	724831	
SUZUKI	70 from 2012, 80, 90, 100, 115 and 140 (4 S)			NO KIT
JOHNSON - EVINRUDE	90,115,140 (4 S)			NO KIT

## SOLAS AMITA 3 BLADES ALUMINIUM PROPELLERS - YE GROUP

DIAMETER PITCH	15 X 15 15 X 15L	14,80 X 17 14,80 X 17L	14,50 X 19 14,50 X 19L	14,30 X 21 14,30 X 21L	14,20 X 23 14,20 X 23L	CODE MULTI-FIT KIT
RIGHT PROPELLER CODE	724915	724917	724919	724921	724923	
LEFT PROPELLER CODE	724915L	724917L	724919L	724921L	-	
YAMAHA	150, 175, 200, 225, 250, 300V6 (2S - 4S) STERN DRIVE 3.0 - 4.7L					NO KIT
MERCURY	135, 150, 175, 200, 225, 250, 300 (2S - 4S)					722503
MERCUISER	ALPHA BRAVO, BRAVO ONE					722503
HONDA	115 (from 2010), 135, 150, 175, 200, 225					722516
SUZUKI	150, 175, 200, 225, 250					722516
SELVA	150 EFI KILLER WHALE, 200 EFI BLUE WHALE, 200/225 EFI GREY / FIN WHALE					NO KIT
TOHATSU	BFT 150, 200, 225, 250 (Honda production)					722516

L= LEFT PROPELLER

## SOLAS AMITA 3 BLADES ALUMINIUM PROPELLERS - YE PLUS GROUP

DIAMETER - PITCH	15,50 X 17	15,30 X 19	15,30 X 21	CODE MULTI-FIT KIT
PROPELLERS CODE	724927	724929	724931	
YAMAHA	150, 175, 200, 225, 250 and 300 V6 (2S and 4S) Stern Drive 3.0 ~ 4.7 L			NO KIT
SUZUKI	150, 175, 200, 225 and 250			NO KIT
HONDA	BF250			722516
JOHNSON - EVINRUDE	150, 175, 200, 225 and 250 (4S)			NO KIT
MERCURY	135, 150, 175, 200, 225, 250 and 300 (2S and 4S)			722503
MERCUISER	ALPHA ONE, BRAVO ONE			722503
SELVA	150 EFI KILLER WHALE, 200/225 EFI GREY / FIN WHALE, 250 EFI BLUE WHALE (4S)			NO KIT

## SOLAS AMITA 3 BLADES ALUMINIUM PROPELLERS - VE PLUS GROUP

DIAMETER - PITCH	15,50 X 17	15,30 X 19	15,30 X 21	CODE MULTI-FIT KIT
RIGHT PROPELLER CODE	724627	724629	724631	
LEFT PROPELLER CODE	724627L	724629L	724631L	
VOLVO PENTA	VOLVO PENTA SX			NO KIT
OMC	KING COBRA			NO KIT

1994 ONWARDS, WITH 19-TOOTH SPLINE.

## SOLAS AMITA 3 BLADES ALUMINIUM PROPELLERS - VE GROUP

DIAMETER - PITCH	14,80 X 17	14,50 X 19	14,30 X 21	CODE MULTI-FIT KIT
RIGHT PROPELLER CODE	724617	724619	724621	
LEFT PROPELLER CODE	724617L	724619L	724621L	
VOLVO PENTA	VOLVO PENTA SX			NO KIT
OMC	KING COBRA			NO KIT

## SOLAS AMITA 3 BLADES ALUMINIUM PROPELLERS - VA GROUP

DIAMETER - PITCH	14,80 X 17	14,50 X 19	14,30 X 21	CODE MULTI-FIT KIT
RIGHT PROPELLER CODE	724737	724739	724741	
LEFT PROPELLER CODE	724737L	724739L	724741L	
VOLVO PENTA	VOLVO PENTA SP (Single Prop)			NO KIT

## SOLAS AMITA 3 BLADES ALUMINIUM PROPELLERS - VA GROUP

DIAMETER - PITCH	15,50 X 17	15,30 X 19	15,30 X 21	CODE MULTI-FIT KIT
RIGHT PROPELLER CODE	724747	724749	724751	
LEFT PROPELLER CODE	724747L	724749L	724751L	
VOLVO PENTA	OLVO PENTA SP (Single Prop) with transmissions 270, 280, 290			NO KIT



**AMITA 3 ALUMINIUM PROPELLERS- 4**

**SOLAS AMITA 4 BLADES ALUMINIUM PROPELLERS - YA GROUP**

DIAMETER - PITCH	9,25 X 7	9,25 X 8	9,25 X 9	9,25 X 10	9,25 X 11	CODE MULTI-FIT KIT
PROPELLERS CODE	725007	725008	725009	725010	725011	
YAMAHA	9.9, 15 (2 STROKE) 9.9 (4S up to 2007) 15, 20 (4S)					NO KIT
HONDA	9.9A, 15A, 8D, 10D, 15D, 20D					NO KIT
SELVA	9.9 (up to 20072007), 15, 20 (WAHOO 4S)					NO KIT
PARSUN	F9.9FWL, F15BML					NO KIT

**SOLAS AMITA 4 BLADES ALUMINIUM PROPELLERS - YC GROUP**

DIAMETER - PITCH	11,80 X 9	11,40 X 10	11,10 X 11	10,80 X 12	10,50 X 13	10,50 X 14	CODE MULTI-FIT KIT
PROPELLERS CODE	725109	725110	725111	725112	725113	725114	
YAMAHA	40, 50, 55, TOP 700 (2S), 30B, 40F (3 Cyl. 4S) 40D, 50, 60 (4 Cyl. 4S)						NO KIT
SUZUKI	40, 50, 55, 60, 65 (2S), 40, 50, 60 (4S)						NO KIT
HONDA	BF40, BF50, BF60, BFT60 (TOHATSU production)						NO KIT
JOHNSON - EVINRUDE	40, 50, 60 (4S)						NO KIT
MERCURY	40, 50, 60 (2S) 30, 40, 50, 60 (4S)						722501
TOHATSU	40, 50, 60 (2S - 4S) CORSA (2S) and MERCURY 40XR (2S) BFT60 (Honda production)						722508 NO KIT
SELVA	MANTA 40, BARRACUDA 40 - 50, DORADO 996 cc 40/60 EFI (4S), ARUANA, 747 cc						NO KIT
PARSUN	T35 - T40						NO KIT

**SOLAS AMITA 4 BLADES ALUMINIUM PROPELLERS - YD PLUS - S14 GROUP**

DIAMETER PITCH	13,75 X 15	13,75 X 17	13,75 X 19	13,75 X 21	CODE MULTI-FIT KIT
PROPELLERS CODE	724725	724727	724729	724731	
SUZUKI	70 from 2012 80, 90, 100, 115, 140 (4S)				NO KIT
JOHNSON - EVINRUDE	90, 115, 140 (4S)				NO KIT

**SOLAS AMITA 4 BLADES ALUMINIUM PROPELLERS - YE GROUP**

DIAMETER - PITCH	14,75 X 15 14,75 X 15L	14,50X 17 14,50 X 17L	14,25 X 19 14,25 X 19L	14,00 X 21 14,00 X 21L	14,00 X 23 14,00 X 23L	CODE MULTI-FIT KIT
RIGHT PROPELLER CODE	725615	725617	725619	725621	725623	
LEFT PROPELLER CODE	725615L	725617L	725619L	725621L	-	
YAMAHA	150, 175, 200, 225, 250, 300 V6 (2S and 4S) Stern Drive 3.0, 4,7 L					NO KIT
MERCURY	135, 150, 175, 200, 225, 250, 300 (2S and 4S)					722503
MERCUISER	ALPHA ONE, BRAVO ONE					722503
HONDA	115 (from 2010), 135, 150, 175, 200, 225, BF250					722516
SELVA	150 EFI KILLER WHALE, 200 EFI GREY WHALE, 225 EFI FIN WHALE 250 EFI BLUE WHALE					NO KIT
TOHATSU	BFT150, BFT200, BFT225, BFT250					722516
SUZUKI	150, 175, 200, 225, 250					NO KIT

L= LEFT PROPELLER

**SOLAS AMITA 4 BLADES ALUMINIUM PROPELLERS - YD GROUP**

DIAMETER - PITCH	13,25 X 13	13 X 15	12,80 X 17	12,50 X 19	12,50 X 21	CODE MULTI-FIT KIT
PROPELLERS CODE	725313	725315	725317	725319	725321	
YAMAHA	60, 70, 75, 90, 100, 115, 130, 140 (2S) 40G, 70, 80, 90, 100, 115 (4S)					NO KIT
MERCURY	40 BIG FOOT, F40EFI PRO, 75, 80, 90, 100, 115, 125 (2S-4S)					722502
HONDA	75, 90, 80 NEW, 100 NEW, 115 (up to 2009), 130					722515
SELVA	40/60 EFI MURENA, 80/100 EFI MARLIN, 115 NARWHAL, 115 EFI TARPON 75, 90, 115, 120, 140 (up to 2002)					NO KIT
TOHATSU	75, 90, 115, 120, 140 (from 2003) BFT75, BFT90, BFT115 (Honda production)					722515

## ANODES FOR HONDA ENGINES

### ANODES KIT FOR HONDA BF40 - 50 - OB-MOTOR

Anodes kit for Honda BF 40 - 50 - OB-MOTOR engines. The kit is composed of 4 anodes.



Zinc	Aluminium
<b>682808</b>	<b>682808A</b>

### ANODES KIT FOR HONDA BF75-90-115

Anodes kit for Honda BF 75 - 90 - 115 engines. The kit is composed of 4 anodes.



Zinc	Aluminium
<b>682815</b>	<b>682815A</b>

### ANODES KIT FOR HONDA BF35 - 225

Anodes kit for Honda BF 35 - 235 engines. The kit is composed of 6 anodes.



Zinc	Aluminium
<b>682820</b>	<b>682820A</b>

## ANODES FOR VOLVO ENGINES

### ANODES KIT FOR VOLVO PENTA

Anode kit for Volvo Penta 4-blade engines with folding foot. The kit is composed of 3 anodes.



Zinc	Aluminium
<b>684696</b>	<b>684696A</b>

### ANODES KIT FOR VOLVO SX-A/DPS

Anode kit for Volvo SX-A/DPS engines. The kit is composed of 2 anodes.



Zinc	Aluminium
<b>684733</b>	<b>684733A</b>

### ANODES KIT FOR VOLVO PENTA 290

Anode kit for Volvo Penta 290 engines. The kit is composed of 4 anodes.



Zinc	Aluminium
<b>684736</b>	<b>684736A</b>

### ANODES KIT FOR VOLVO PENTA 290 DP

Anodes kit for Volvo Penta 290 DP engines. The kit is composed of 4 anodes.

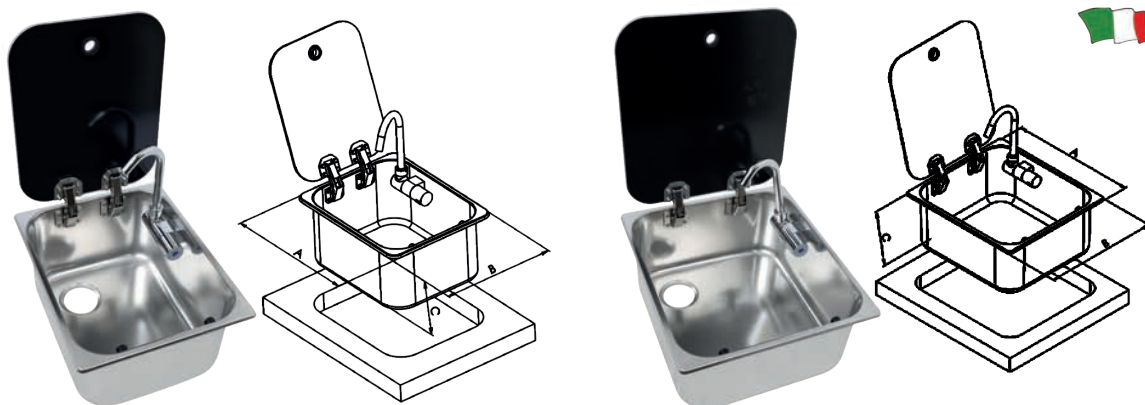


Zinc	Aluminium
<b>684739</b>	<b>684739A</b>



**RECTANGULAR S/S SINKS**

**BUILT-IN SINK WITH GLASS COVER AND TAP**



CE

Built-in sink made of **STAINLESS STEEL** mirror-polished with glass lid and cold water tap. Sink drain outlet complete with stopper not included (optional).

**SINK**

	Dimensions A x B mm	Depth C mm	Flush mount dimensions mm
<b>240060</b>	322 x 261	150	310 x 248
<b>240062</b>	352 x 322	150	342 x 310

**TAP**

**242940** Single tap with foldable spout for sink item 240060 and 240062.

**DRAIN OUTLET**

**240080** Straight sink drain complete with cap.

**240081** 90° drain for sink complete with cap.

**GAS HOBS WITH STAINLESS STEEL SINK**

**GLASS HOB WITH RECTANGULAR SINK**



CE

Gas hob combination of 8 mm. tempered black glass with rectangular sink made of **STAINLESS STEEL** mirror polished placed on the right side. Tap, pot holder and drain with plug not included (optional).

**SINK - HOB**

	N. burners	Burners	Burners power Watt	Dimensions A x B mm	Depth C mm	Flush mount dimensions mm
<b>240091</b>	1	1 Semi-rapid	1800	550 x 300	150	520 x 280
<b>240092</b>	2	1 Semi-rapid 1 Auxiliary	1800 + 1000	765 x 300	150	735 x 280

**COLUMN KIT FOR PAN-HOLDER**

	Suitable for our hob top
<b>240181</b>	240091
<b>240182</b>	240092

**DRAIN OUTLET**

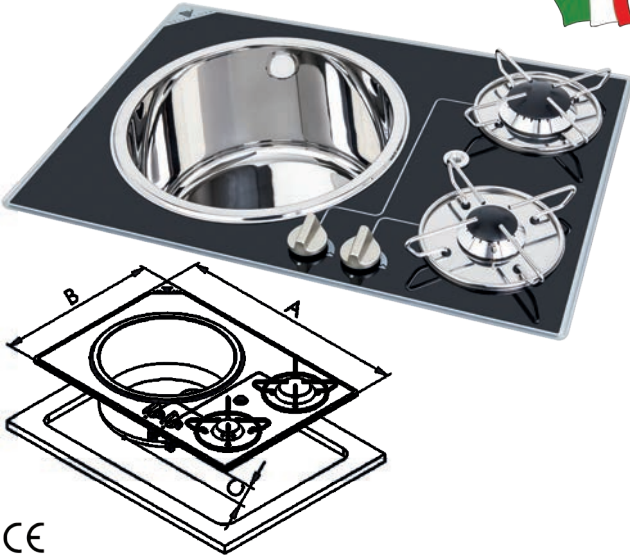
**240080** Straight sink drain complete with cap.

**240081** 90° drain for sink complete with cap.



### GLASS HOB WITH ROUND SINK

Combination 2-burner gas hob unit made of 8-mm black tempered glass with round sink made of **STAINLESS STEEL** polished mirror placed on the right side.  
Tap, pot holder and drain with plug not included (optional).



CE

### SINK - HOB

	N. burners	Burners	Burners power Watt	Dimensions A x B mm	Depth C mm	Sink depth mm	Flush mount dimensions mm
240094	1	1 Semi-rapid 1 Auxiliary	1800 + 1000	600 x 420	65	180	590 x 400

### COLUMN KIT FOR PAN-HOLDER

240182	Suitable for our hob top 240094
--------	------------------------------------

### DRAIN OUTLET

240080 Straight sink drain complete with cap.

240081 90° drain for sink complete with cap.

### STAINLESS STEEL PAN-HOLDER

Adjustable pan holder in **STAINLESS STEEL**.



	Model
240181	single
240182	double
240183	triple

**FLUSH MOUNT STAINLESS STEEL PROPANE HOBS**

**BUILT-IN STAINLESS STEEL HOB**



Built-in gas hob made of **STAINLESS STEEL** equipped with safety thermocouple.

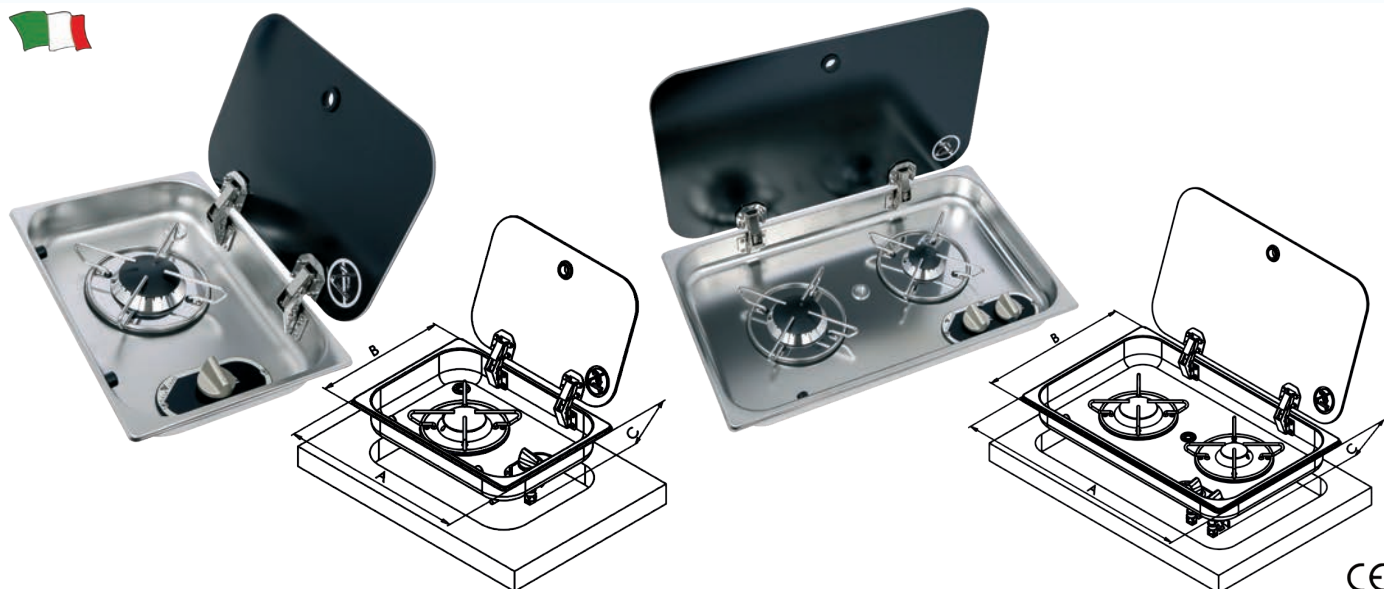
**HOB**

	N. burners	Burners	Burners power Watt	Dimensions A x B mm	Depth C mm	Flush mount dimensions mm
<b>240135</b>	1	1 Semi-rapid	1800	263 x 323	69	245 x 305
<b>240136</b>	2	1 Semi-rapid 1 Auxiliary	1800 + 1000	353 x 323	69	330 x 305

**COLUMN KIT FOR PAN-HOLDER**

	Suitable for our hob top
<b>240181</b>	240135
<b>240182</b>	240136

**HOB WITH GLASS LID**



Built-in gas hob made of **STAINLESS STEEL** with 8 mm tempered glass lid and safety thermocouple.

**HOB**

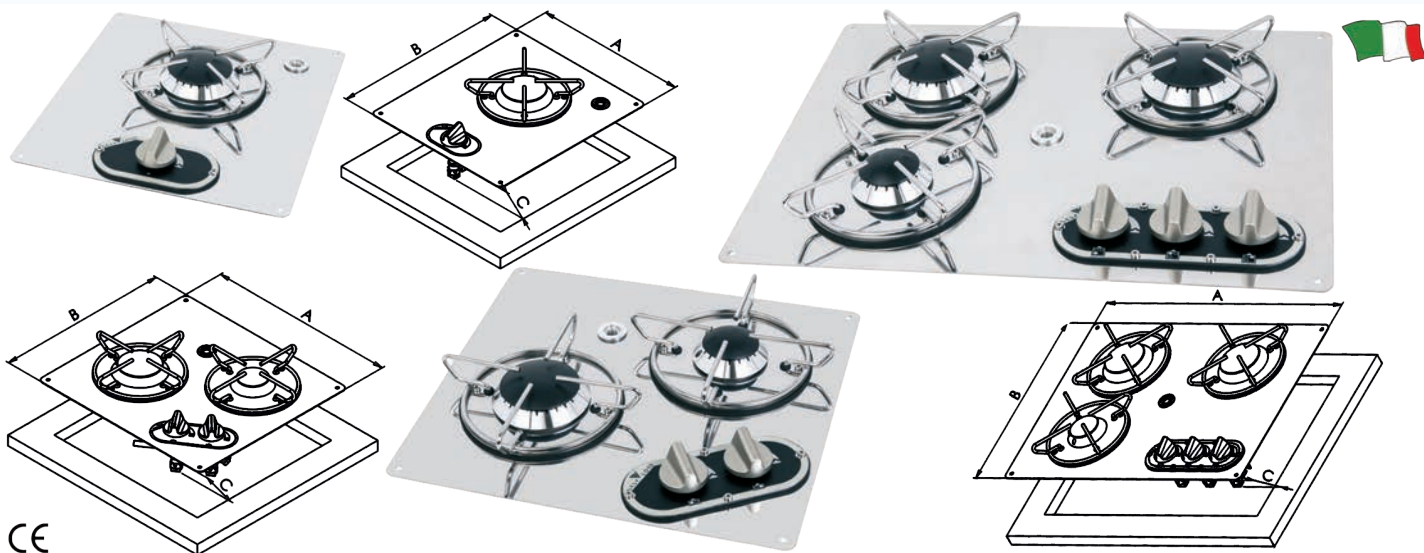
	N. burners	Burners	Burners power Watt	Dimensions A x B mm	Depth C mm	Flush mount dimensions mm
<b>240145</b>	1	1 Semi-rapid	1800	357 x 250	119	338 x 238
<b>240146</b>	2	1 Semi-rapid 1 Auxiliary	1800 + 1000	530 x 326	119	505 x 305

**COLUMN KIT FOR PAN-HOLDER**

	Suitable for our hob top
<b>240181</b>	240145
<b>240182</b>	240146



## BUILT-IN STAINLESS STEEL HOB



CE

Built-in gas hob made of **STAINLESS STEEL** equipped with safety thermocouple.

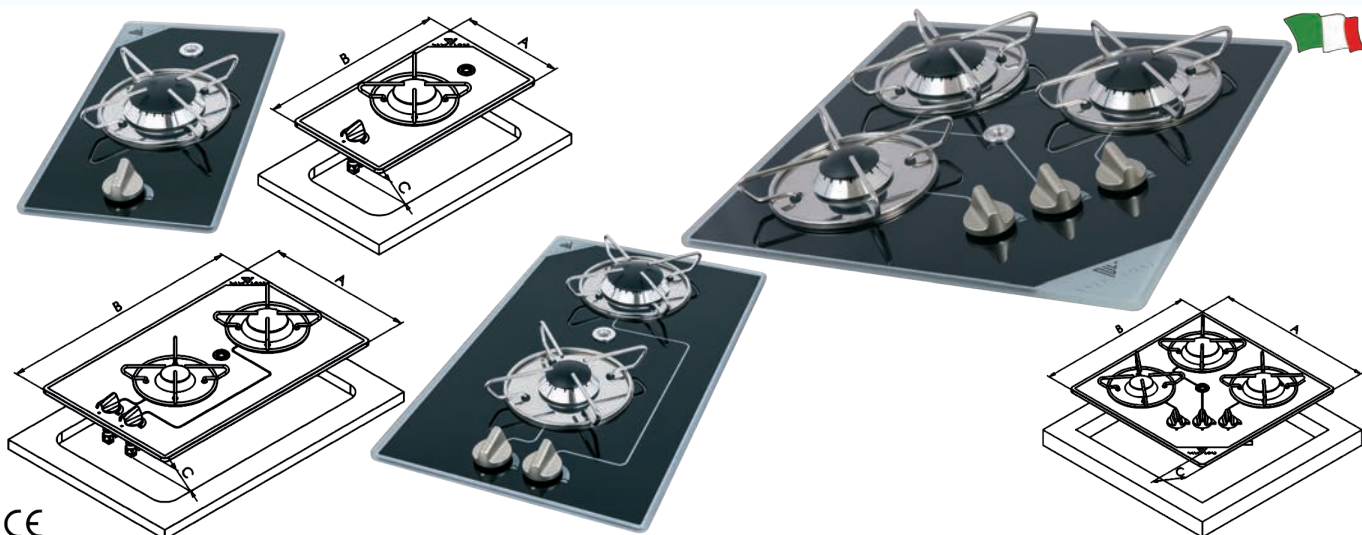
### HOB

	N. burners	Burners	Burners power Watt	Dimensions A x B mm	Depth C mm	Flush mount dimensions mm
<b>240151</b>	1	1 Semi-rapid	1800	320 x 285	65	300 x 265
<b>240152</b>	2	1 Semi-rapid 1 Auxiliary	1800 + 1000	350 x 320	65	330 x 300
<b>240153</b>	3	2 Semi-Rapid 1 Auxiliary	2 x 1800 + 1000	380 x 360	65	450 x 340

### COLUMN KIT FOR PAN-HOLDER

	Suitable for our hob top
<b>240181</b>	240151
<b>240182</b>	240152
<b>240183</b>	240153

## BUILT-IN GLASS HOB



CE

Gas hob made of 8 mm tempered black glass equipped with safety thermocouple.

### HOB

	N. burners	Burners	Burners power Watt	Dimensions A x B mm	Depth C mm	Flush mount dimensions mm
<b>240161</b>	1	1 Semi-rapid	1800	365 x 195	65	345 x 175
<b>240162</b>	2	1 Semi-rapid 1 Auxiliary	1800 + 1000	500 x 300	65	480 x 280
<b>240163</b>	3	2 Semi-Rapid 1 Auxiliary	2 x 1800 + 1000	504 x 410	65	484 x 390

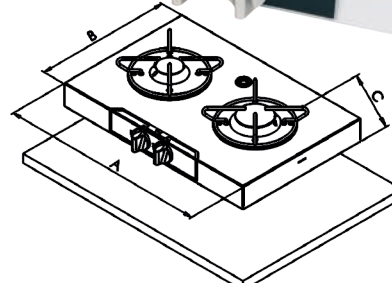
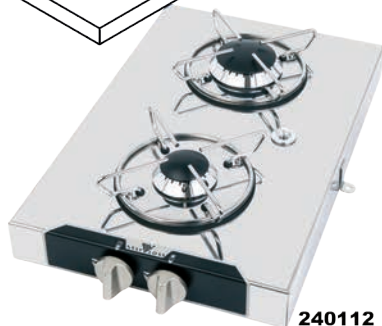
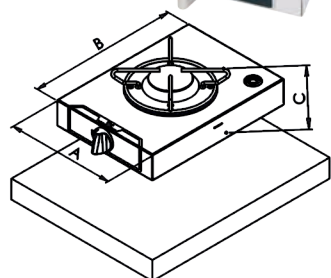
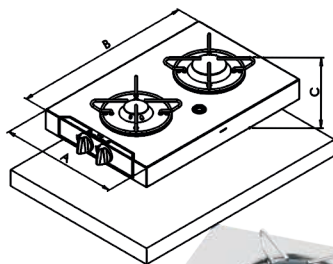
### COLUMN KIT FOR PAN-HOLDER

	Suitable for our hob top
<b>240181</b>	240161
<b>240182</b>	240162
<b>240183</b>	240163



**PROPANE HOBS WITH S/S BRACKETS**

**STAINLESS STEEL GAS STOVE**



Gas stove made of **STAINLESS STEEL** for countertop use provided with safety thermocouple.

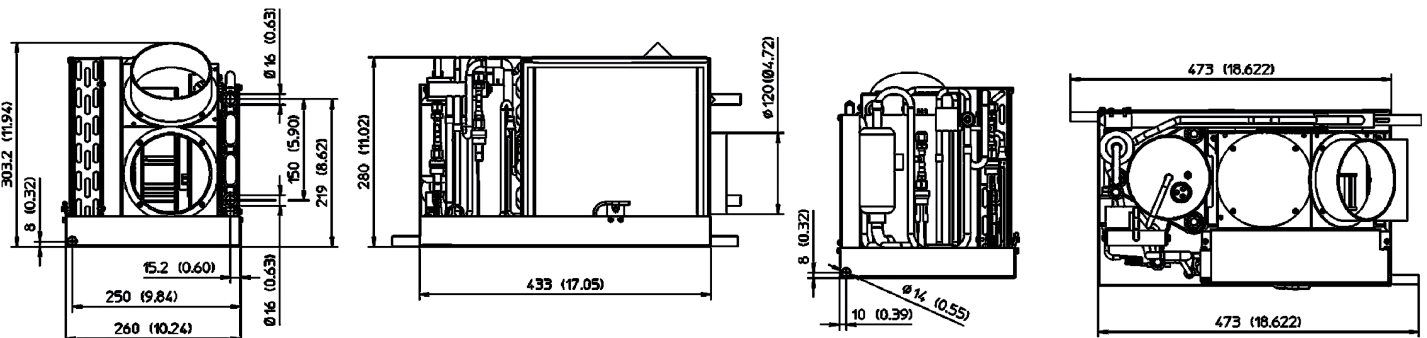
**HOB**

	N. burners	Burners	Burners power Watt	Knobs	Dimensions A x B mm	Depth C mm
<b>240111</b>	1	1 Semi-rapid	1800	Short side	210 x 290	95
<b>240112</b>	2	1 Semi-rapid 1 Auxiliary	1800 + 1000	Short side	440 x 290	95
<b>240113</b>	2	1 Semi-rapid 1 Auxiliary	1800 + 1000	Long side	440 x 290	95

**COLUMN KIT FOR PAN-HOLDER**

<b>240181</b>	Suitable for our hob 240111
<b>240182</b>	240112 - 240113

**VELAIR MARINE CONDITIONERS**
**VELAIR COMPACT 7 ON-OFF**

**VELAIR**

**SUPER COMPACT ON-OFF AIR CONDITIONING UNIT**

Compact 7, made with stainless steel tray and fan body, is a super-compact air conditioning unit that can be installed on all types of vessels where space is minimal: in only 43 cm in length and 26 cm in width, it develops 7000 BTU/h with the possibility of having up to three air outlets. Functioning with heat pump cycle reversal to heat the room in winter and air conditioning it in summer. Supplied as standard with 2 premounted air outlets, diameter 100 mm and the following accessories:

**AIR-CONDITIONING UNITS**
**SEAWATER CIRCUIT**
**AIR DIFFUSION**
**Features:**

- Extremely compact size and light weight unit
- High efficiency, low noise brushless fan
- New wall mounted touch display included
- WiFi connectivity for remote control
- Easy to install.

**We can supply further optional accessories on demand.**

**Technical features**

Cooling capacity	7000 BTU/h
Voltage	230 Volt – 50 Hz
Current consumption (in cold)	3 Amp
Consumption at full power	0,66 Kw
Protection class	10 Amp
Flange diameter	2 x 100 mm
Dimensions W x H x D	433 x 280 x 260 mm
Weight	23 Kg

**642400** VELAIR Compact 7 ON-OFF air conditioner complete with accessories.

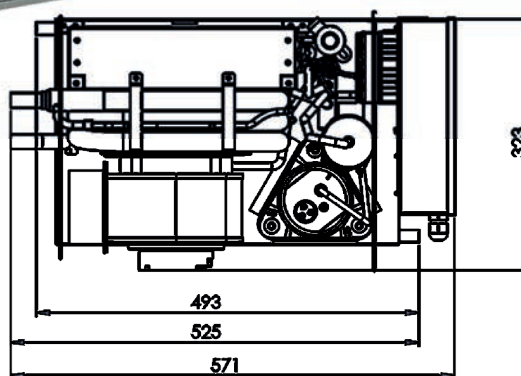
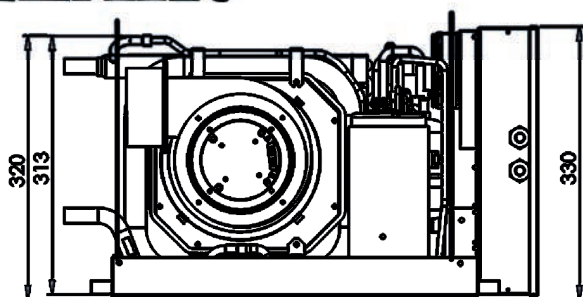
- Aluminum return grid NOVA-R 250 x 150
- Centrifugal pump 15 l/min (4.0 GPM) w/thread 3/4"
- No. 2 3/4" 16mm hose nozzles
- 1/2" through-hull kit
- 5 m reinforced transparent hose Ø int. 6 mm
- 10 mt insulated flexible hose Ø int. mm 100
- No. 2 lockable round grids w/fittings mm 100



VELAIR COMPACT i10 VSD SMART



VELAIR



VARIABLE SPEED DRIVE (VSD) AIR CONDITIONING UNITS

The Compact i10 VSD Smart air conditioner offers the ultimate in technology, its compressor varies its speed so that it continuously adapts to the room and set temperature, so as to maintain constant comfort with minimal power consumption. **Heat pump reverse cycle operation to heat the room in winter and air conditioning it in summer.**

- Features:
- Heat pump hot cycle
  - Twin Rotary compressor with brushless DC motor and inverter for continuous control of speed and power output (Variable Speed Drive)
  - Nearly zero compressor noise and vibration
  - Fan with Constant Flow technology
  - Wall mounted control panel
  - Control via WIFI APP
  - Operation with reduced power generators
  - Maximum energy efficiency: reduced overall power consumption (-40%) with no current peaks at startup.

Comes with the following accessories:

AIR-CONDITIONING UNITS

- Aluminum return grid NOVA-R 250 x 150
- Centrifugal pump 25 l/min (5.5 GPM) w/thread 3/4"
- No. 2 3/4" 16mm hose nozzles
- 3/4" through-hull kit
- 5 m reinforced transparent hose Ø int. 20 mm
- 10 mt insulated flexible hose Ø int. mm 100
- No. 2 aluminium grids 250x100
- Diverter Y mm 100IN - 100/100 OUT
- no. 2 plenum boxes mm 250x100 w/fittings mm.100

SEAWATER CIRCUIT

AIR DIFFUSION

We can supply further optional accessories on demand.

Technical features

Cooling capacity	10000 BTU/h
Voltage	230 V – 50/60 Hz
Current consumption (in cold)	2,9 Amp
Consumption at full power	0,64 Kw
Protection class	10 Amp
Max airflow	400 m3/h
Flange diameter	1 x 100 mm – 1 x Ø 3,9 mm
Dimensions W x H x D	571 x 320 x 323 mm
Weight	25 Kg

642410 VELAIR Compact i10 VSD SMART air conditioner complete with accessories.

### ICE-BOXES



#### IGLOO MARINE ULTRA 25 ICE BOX

##### ICE-BOX

##### Technical features

Capacity	23 lt
Length	520 mm
Width	270 mm
Height	330 mm
Weight	3 Kg

**643025** New U.V.-resistant icebox with high-efficiency thermal insulation and odor-resistant plastic interior. Ideal for storing food, fish or as a live bait tank. Sturdy construction also allows use as a seat.

##### CUSHION

**643170** Igloo cushion Marine Ultra 25 (optional).



#### IGLOO MARINE ULTRA 54 ICE BOX

##### ICE-BOX

##### Technical features

Capacity	51 lt
Length	650 mm
Width	370 mm
Height	420 mm
Weight	4,8 Kg

**643054** New U.V.-resistant icebox with high-efficiency thermal insulation and odor-resistant plastic interior. Ideal for storing food, fish or as a live bait tank. Sturdy construction also allows use as a seat. Equipped with drain plug, carrying handles, reinforced hinges and **STAINLESS STEEL** lock.

##### CUSHION

**643172** Igloo cushion Marine Ultra 54 (optional).



#### IGLOO LATITUDE MARINE ULTRA 70 ICEBOX

##### ICE-BOX

##### Technical features

Capacity	66 lt
Length	760 mm
Width	420 mm
Height	410 mm
Weight	6,2 Kg

**643070** New U.V.-resistant icebox with high-efficiency thermal insulation and odor-resistant plastic interior. Ideal for storing food, fish or as a live bait tank. Sturdy construction also allows use as a seat. Equipped with drain plug, carrying handles, reinforced hinges and **STAINLESS STEEL** lock.

##### CUSHION

**643173** Igloo cushion Latitude Marine Ultra 70 (optional).



#### IGLOO LATITUDE MARINE ULTRA 100 ICEBOX

##### ICE-BOX

##### Technical features

Capacity	94 lt
Length	880 mm
Width	430 mm
Height	470 mm
Weight	9,1 Kg

**643100** New U.V.-resistant icebox with high-efficiency thermal insulation and odor-resistant plastic interior. Ideal for storing food, fish or as a live bait tank. Sturdy construction also allows use as a seat. Equipped with drain plug, carrying handles, reinforced hinges and **STAINLESS STEEL** lock.

##### CUSHION

**643176** Igloo cushion Latitude Marine Ultra 100 (optional).

## UNIVERSAL SPARE PARTS KIT FOR IGLOO ICEBOXES

**643154** Universal spare parts kit for IGLOO iceboxes includes: 4 hinges, 2 locking hooks, 2 drain caps, 24 S.S. screws.



## ICE BOXES FIXING KIT

**643180** Universal fixing kit for iceboxes consisting of 4 plastic angles and two elastic cables with **STAINLESS STEEL** rings.



## ISOTHERM FREEZERS AND REFRIGERATORS

### FRAME FOR FLUSH MOUNT FOR ISOTHERM CRUISE CLASSIC SERIES REFRIGERATORS

Finishing frame for flush mount installing of ISOTHERM refrigerators CRUISE CLASSIC line.  
Black colour.

	For refrigerator model	N. sides
<b>642843</b>	CRUISE CR42/V - CR49/V	3
<b>642856</b>	CRUISE CR65/V	3
<b>642861</b>	CRUISE CR85/V	2
<b>642886</b>	CRUISE CR130/EN - CR90/V	3



## DOMETIC "COOLFREEZE" COMPRESSOR REFRIGERATOR/FREEZER

### DOMETIC CFF45 REFRIGERATOR/FREEZER

#### Technical Features

Internal capacity	approx 44 liters
Weight	18,60 kg approx
External dimensions	715 x 398 x 475h mm
Voltage	12 / 24 Volt DC -100/240 Volts AC
Working temperatures	From +20 °C to -18 °C adjustable by electronic thermostat with temperature visualization from digital display
Energy efficiency class	C
Annual power consumption	48 kW/h
Certifications	CE, TÜV/GS, E4

**642495** Dometic CFF 45 portable compressor refrigerator/freezer. The double-hinged lid, opening on both sides, makes it easy to access food and drinks.  
Note: In order to avoid damage to the product, do not connect it to AC and DC power at the same time.



CE





**DOMETIC "COOLMATIC CRX" COMPRESSOR REFRIGERATOR/FREEZER**

**DOMETIC CoolMatic CRX-140 REFRIGERATOR**
**Technical Features**

Internal capacity	130 lts (including 11 lts freezer compartment)
Voltage	12/24 Volt
Average power consumption	65 Watts approx
Average power consumption with more than +25°C room temperature	1,9 Ah/h
External dimensions	525 x 620 x 815h mm
Weight	30 kg

**REFRIGERATOR**

**642615** Domestic CoolMatic CRX-140 refrigerator.  
**Frame available as accessory.**

**FRAME (OPTIONAL)**

Standard installation <b>642617</b>	Flush-mount installation <b>642618</b>
--	---


**DOMETIC CoolMatic CRD-50 REFRIGERATOR**
**Technical Features**

Internal capacity	38,5 lt (6 lt freezer compartment included)
Voltage	12/24 Volt
Average power consumption	40 Watt approx
Average power consumption with more than +25°C room temperature	1,5 Ah/h
External dimensions	380 x 500 x 534h mm
Weight	17 kg

**REFRIGERATOR**

**642535** Domestic CoolMatic CRD-50 drawer refrigerator.  
**Frame available as accessory.**

**FRAME (OPTIONAL)**

Standard installation <b>642552</b>	Flush-mount installation <b>642553</b>
--	---


**DOMETIC CoolMatic CRX-65D REFRIGERATOR**
**Technical Features**

Internal capacity	57 lt (7 lt freezer compartment included)
Voltage	12/24 Volt
Average power consumption	45 Watt approx
Average power consumption with more than +25°C room temperature	1,14 Ah/h
External dimensions	545 x 448 x 525h mm
Weight	20 kg

**REFRIGERATOR**

**642546** Domestic CoolMatic CRX-65D drawer refrigerator.  
**Frame available as accessory.**

**FRAME (OPTIONAL)**

Standard installation <b>642567</b>	Flush-mount installation <b>642568</b>
--	---



### NAUTIC BOILERS

#### HEATING ELEMENT RESISTANCE

Spare heating element heater compatible with all Quick 220V boilers.

	Watt	Voltage Volts
240895	500	220
240896	800	220
240898	1200	220

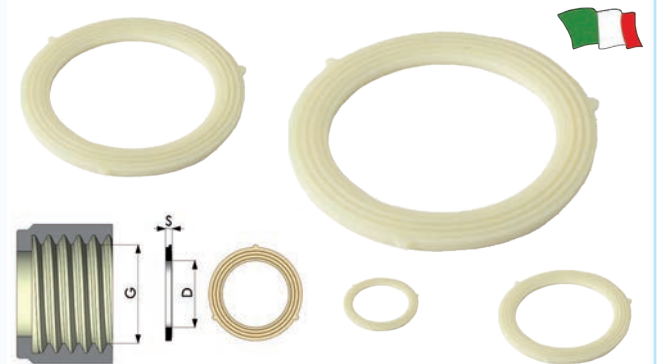


### RIGID PLASTIC WATER TANKS

#### EPDM GASKETS FOR FEMALE THREAD

EPDM flat gasket suitable for FEMALE thread.

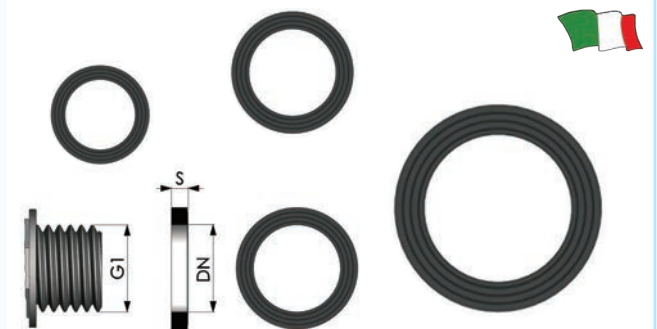
	Internal thread G (inch - mm)	Internal diameter D mm	Thickness S mm
249090	1/4" - 11,4	5,5	2,5
249091	3/8" - 14,9	7,5	2,5
249093	1/2" - 18,6	10,5	2,5
249094	3/4" - 24,1	15,5	2,5
249095	1" - 30,2	21	2,5
249096	1" 1/4 - 39,8	26,5	2,5
249097	1" 1/2 - 44,8	32,4	2,5
249098	2" - 56,6	42,6	2,5



#### EPDM GASKETS FOR MALE THREAD

EPDM flat gasket suitable for MALE thread.

	External thread G1 (inch - mm)	Internal diameter DN mm	Thickness S mm
249124	1/2" - 20,9	21	3,5
249125	3/4" - 26,4	26,5	3,5
249126	1" - 33,2	33,3	3,5
249127	1" 1/4 - 41,9	42	4,5
249128	1" 1/2 - 47,8	47,9	4,5
249129	2" - 59,6	59,7	4,5



#### NBR O-RING

NBR O-Ring suitable for MALE thread.

	External thread G1 (inch - mm)	Internal diameter DN mm	Thickness S mm
249154	1/2" - 20,9	17,96	2,62
249155	3/4" - 26,4	23,47	2,62
249156	1" - 33,2	29,82	2,62
249157	1" 1/4 - 41,9	37,69	3,53
249158	1" 1/2 - 47,8	44,04	3,53
249159	2" - 59,6	55,56	3,53



#### O-RING BOX

##### Technical features

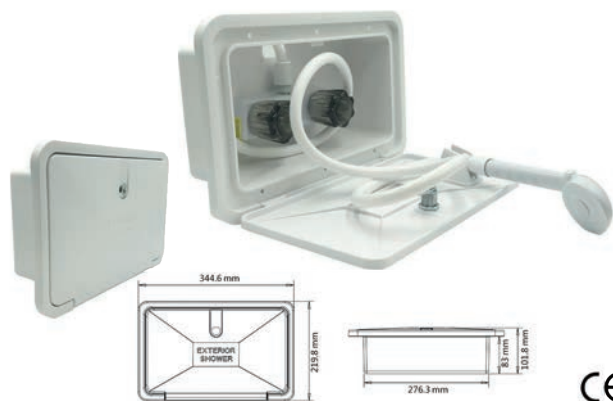
Hardness 70 Shore

**750655** Box with assortment of 407 o-ring nitrile gaskets with different diameters (from 1/8" to 2").



**SHOWERS AND ACCESSORIES**

**SHOWER BOX KIT**



**243307** Outdoor shower box kit complete with taps, two-function shower and 1.5 m PVC hose.  
Made of impact and UV-resistant ABS.  
Includes lock with key.



**JABSCO BILGE DRAIN AND SHOWER PUMP**

Robust diaphragm pump suitable for bilge, shower and sink applications with multi-positionable head.

**Technical features**

Load capacity	16 lt/min
Priming	3 m
Hose diameter	19 and 25 mm
Dimensions	277 x 150 x 111h mm

	Voltage Volts	Consumption Amp
<b>600122</b>	12	8
<b>600124</b>	24	2,5



**ELECTRIC TOILETS**

**LAGUNA ELECTRIC TOILET**

New design electric toilet, compact with internal dimensions of a standard toilet. Bowl made of high quality ceramic and "Soft Close" lid. All the metallic parts and the screws are made of **STAINLESS STEEL** and the base is in shock-proof material. Fitted for mounting both on and under the deck. Equipped with a special self priming pump up to 1,50 mt (vertical) that allows the drainage up to 3,5 mt of height. Remote control included.

**Technical features**

Width	340 mm
Depth	405 mm
Height	410 mm
Height in open position	720 mm

	Volts	Amp
<b>601017</b>	12	24
<b>601018</b>	24	12

**SPARE PART**

**601019** Gaskets kit and spare valves for electric toilet item n. 601017 - 601018.



**ACCESSORIES FOR TOILETS**

**GASKET FOR TOILET**

Spare gasket for WC.

	Toilet type
<b>601037</b>	manual (our items 601000 and 601001)
<b>601038</b>	electric (our items 601012 - 601022 and 601034)



**601037**



**601038**



**SPARE PARTS SET FOR EVOLUTION KIT**

**601049** Spare gasket, valve and impeller set for Evolution WC conversion kit (item no. 601047 and 601048).



**HINGES KIT FOR SOFT CLOSE TOILET SEATS**

**601060** Hinges kit complete with pins for SOFT CLOSE seats of "MATROMARINE" toilets (our items no. 601000 - 010 - 011 - 017 - 018).



**SPARE TOILET SEAT**

Spare seat for toilet item no. 601000 - 601001 - 601012 - 601022 - 601034.

Seat	
"Soft Close" plastic <b>601031</b>	white lacquered wood <b>601032</b>



**SPARE PARTS FOR TOILETS**

Spare parts for toilets codes 601000 - 601001 - 601012 - 601022 - 601034.

**601033** Plastic toilet base.  
**601036** Ceramic bowl for toilet.



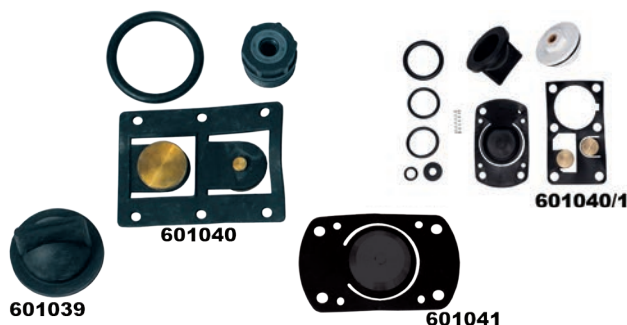
**SPARE TOILET PUMP**

**601030** Spare hand pump for toilet item no. 601000 - 601001 - 601012 - 601022 - 601034.



**SPARE PARTS FOR TOILETS**

**601039** Non return valve that can be used on manual toilets our codes 601000 and 601001.  
**601040** Gaskets kit and spare valves for manual toilet item n. 601000-601001 up to 1998.  
**601040/1** Gaskets kit and spare valves for manual toilet item n. 601000-601001 from 1999.  
**601041** Gasket with spare valve for WC item 601000-601001.





## INLET CONNECTION

**601043/1** Inlet connection for electric toilet.  
Suitable for hose diam. 20 mm

## EVOLUTION KIT FOR WC



Conversion kit from manual to electric toilet, more silent than commercially available electric toilets and better performance.  
Kit includes base with 360° swivel flush fitting, pump, electric motor, control panel, check valve and fittings.

The kit is compatible with the following toilet brands:

- Motomarine
- Jabsco
- TMC
- Raritan
- RM69
- Johnson Pump
- Lalizas
- ThetFord.



	Volts
<b>601047</b>	12
<b>601048</b>	24

### SPARE PART

**601049** Gaskets kit and spare valves for kit Evolution for WC conversion suitable for our items 601047 and 601048.

## RIGID TANKS FOR WASTE WATERS

### SELF-PRIMING WASTE PUMP

Robust self-priming diaphragm pump ejects solids, particularly efficient for emptying waste water tanks. Works both horizontally and vertically.

#### Technical features

Load capacity	19 l/min
Priming	3 m
Hose fitting diameter	38 mm
Dimensions	277 x 150 x 111h mm

	Volts	Amp
<b>250500</b>	12	8
<b>250501</b>	24	2,5



### WASTE WATER PUMP



New pump designed for different uses:

- for waste water (complete with 90° connectors)
- for household waste waters (complete with straight connectors)
- bilge pump (complete with straight connectors).

It can be used also in waste water tank for unloading operations of the same.  
The pump's body can rotate at 360° and can run dry without damage.

Without impeller, it includes a NBR diaphragm for the maximum noiselessness.  
Equipped with double non return valve (one for each side).



	Use	Volts	Amperage Amp	Load capacity lt/min	Load capacity with 1,5 m head lt/min	hose Ø mm	Dimensions mm
<b>250502</b>	household waste waters	12	4,5	22	18	19 - 25	305 x 195 x 125
<b>250503</b>	household waste waters	24	2,5	22	18	19 - 25	305 x 195 x 125
<b>250504</b>	waste water	12	6	32	26	38	355 x 195 x 125
<b>250505</b>	waste water	24	3	32	26	38	355 x 195 x 125

# FITTINGS AND HOSES

## THRU-HULL FITTINGS

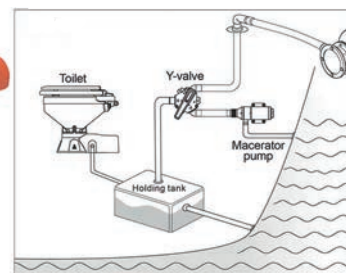


### Y-VALVE FOR WASTE WATER SYSTEM

#### Technical features

Inlet hose diameter	25 mm
Outlet hoses diameter	38 mm
Dimensions	199 x 188 x 119 mm

**250517** Valve with ergonomic handle allowing the discharge of waste water into the sea or into the tank with lever safety lock.



## THRU-HULL FITTINGS

### THRU-HULL FITTING WITH NON-RETURN VALVE

#### Technical features

Thread	1" 1/2
Front ring external diameter	76 mm
Hose connector	38 mm
Total length	150 mm

**318948** Polypropylene thru-hull fitting with front mounting nut complete with elastomer non return valve.



### DRAIN PLUG FOR DOUBLE WALL

#### Technical features

Cap hole diameter	42 mm
Recessed diameter	50 mm
Total length	150 mm
Maximum bulkhead distance	230 mm
Minimum bulkhead distance	80 mm

**319048** Drain plug designed for use on double bulkheads as it can be cut to size according to different requirements. After cutting the bushings to the desired size on a wall, the first part of the bushing is fixed with its nut, while the second part is simply screwed onto the one already mounted on the boat wall. It is recommended to install and fasten on the inner bulkhead, that is in the cockpit, the fully threaded bushing that is prepared to receive the optional expansion plug item no. 318882, while from the outside of the boat the other bushing is screwed in, which is prepared to receive the optional non-return valve item no. 319029.



### S.STEEL DRAIN PLUG FOR SHOWER OR COCKPIT

#### Technical features

Head diameter	81 mm
Collar diameter	37,5 mm
Height	59 mm

**230270** STAINLESS STEEL AISI 316 mirror polished drain plug for shower or cockpit.

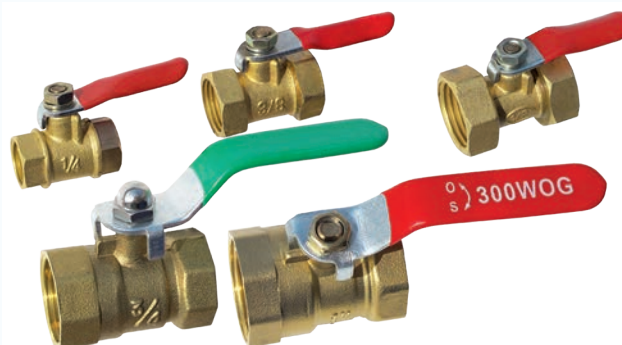


## BALL VALVES AND INTAKE STRAINERS

### BALL VALVE

Brass ball valve with reduced flow, female/female with lever.

	Valve
<b>224951</b>	1/4"
<b>224952</b>	3/8"
<b>224953</b>	1/2"
<b>224954</b>	3/4"
<b>224955</b>	1"

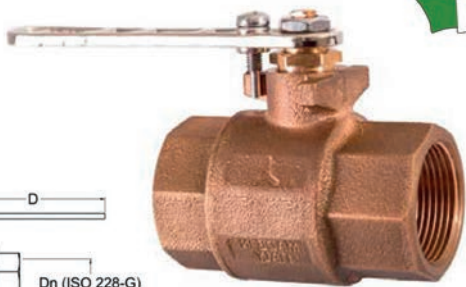
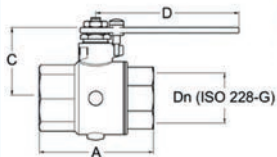




### BRONZE BALL VALVE



Valve entirely made of F.F. bronze with full flow ball made of acetal polymer and reversible lever rotation.  
Tested under the supervision of **R.I.Na.** for use on leisure boats (Declaration No. 20200203).



Valve	A mm	C mm	D mm
225102	1/2"	56	37,5
225103	3/4"	72	41
225104	1"	86	52,5
225105	1" 1/4	97	57,5
225106	1" 1/2	105	71
225107	2"	126	80

## SUBMERSIBLE BILGE PUMPS

### SUBMERSIBLE BILGE PUMP



Electric bilge pump with shockproof ABS housing, corrosion and electrolysis resistant.

Model	Voltage Volts	Max flow rate Lt/min	Consumption Amp	Fuse max Amp	Height mm	base Ø mm	Ø hose fitting inches - mm	Head m
600490	12	32	2,5	5	94,5	59	3/4 - 19	4
600492	12	63	4	10	127	78	1 1/8 - 30	4
600494	12	95	10	20	143	96	1 1/8 - 30	4
600496	12	126	12	12	183	96	1 1/4 - 32	4
600497	24	126	6	6	183	96	1 1/4 - 32	4
600498	24	233	6	10	202	110	1 1/2 - 38	5



### DEMOUNTABLE SUBMERSIBLE BILGE PUMP



Submersible bilge pump with non-return valve, new design with quick-connect joint which allows to replace a/o remove the motor for cleaning operations without disconnecting the base or plumbing when replacing the pump. Produced with a more robust motor and bigger impeller allow to outperform the pumps actually present in the market.

**CE – RoHS Certified in compliance with ISO 8846/8849 directive.**

#### PUMP

	Model	Voltage Volts	Max flow rate lt/min	Consumption Amp	Fuse max Amp	Height mm	base Ø mm	Ø hose fitting inches - mm	Head m
<b>600572</b>	800	12	50	3,5	6	110	70	from 1" to 1" 1/8 - from 25 to 29	1
<b>600574</b>	1100	24	70	2,5	5	110	70	from 1" to 1" 1/8 - from 25 to 29	1

#### SPARE PARTS

Spare connector for pumps code 600572 and 600574.

	Type	Thread inches - mm
<b>600577</b>	Straight	from 3/4" to 1" 1/8 - from 19 to 29
<b>600578</b>	Straight	from 1" to 1" 1/8 - from 25 to 29
<b>600579</b>	90° angle fitting	from 1" to 1" 1/8 - from 25 to 29

#### NON-RETURN VALVE

**600580** Spare non-return valve for pumps code 600574 - 600574.

### AUTOMATIC BILGE PUMPS

#### DEMOUNTABLE AUTOMATIC SUBMERSIBLE BILGE PUMP



Submersible automatic bilge pump with non-return valve and sensors that tests the presence of water every 2,5 minutes for approx 0,5 seconds: if water is present, the pump will sense resistance and will continue to run until all water is removed.

New design with quick-connect joint which allows to replace a/o remove the motor for cleaning operations without disconnecting the base or plumbing when replacing the pump.

Produced with a more robust motor and bigger impeller allow to outperform the pumps actually present in the market.

**CE – RoHS Certified in compliance with ISO 8846/8849 directive.**

#### PUMP

	Model	Voltage Volts	Max flow rate lt/min	Consumption Amp	Fuse max Amp	Height mm	base Ø mm	Ø hose fitting mm	Head m
<b>600582</b>	800	12	50	3,5	6	110	70	from 1" to 1" 1/8 - from 25 to 29	1
<b>600584</b>	1100	24	70	2,5	5	110	70	from 1" to 1" 1/8 - from 25 to 29	1

#### SPARE PARTS

Spare connector for pumps code 600582 and 600584.

	Type	Thread inches - mm
<b>600577</b>	Straight	from 3/4" to 1" 1/8 - from 19 to 29
<b>600578</b>	Straight	from 1" to 1" 1/8 - from 25 to 29
<b>600579</b>	90° angle fitting	from 1" to 1" 1/8 - from 25 to 29

#### NON-RETURN VALVE

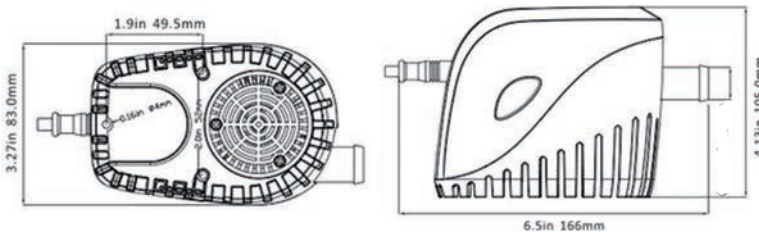
**600580** Spare non-return valve for pumps code 600582 - 600584.

### AUTOMATIC BILGE PUMP WITH ELECTROMAGNETIC FLOAT SWITCH

Automatic bilge pump with built-in electromagnetic float switch: unlike pumps with a mechanical switch which, after a period of use, lose their automatic function due to impurities getting stuck, this new sensor is designed to operate magnetically, avoiding mechanical failures during its function. The new design of the mechanism and the double filter eliminates any water leaks and seepage, ensuring greater filtering of impurities. Resistant and easy to install with snap-on removal from the base.



INTERRUTTORE GALLEGGIANTE  
ELETTRIMAGNETICO  
ELECTROMAGNETIC FLOAT SWITCH



	Model GPH	Voltage Volts	Load capacity lt./min	Consumption Amp	Ø hose fitting mm
600800	750	12	50	3	19
600804	750	24	50	1,5	19
600810	1100	12	75	4	29
600814	1100	24	75	2	29

### LOW PROFILE AUTOMATIC BILGE PUMPS

#### LOW PROFILE AUTOMATIC BILGE PUMP



Automatic low profile bilge pump with non-return valve and integrated automatic sensor for a drain starting already at 10 mm. Its reduced dimensions, with the pump's body rotating at 360°, fits in small spaces where other pumps don't fit. It can be mounted both horizontally and vertically with straight or angled fittings supplied.  
**CE – RoHS Certified in compliance with ISO 8846/8849 directive.**

PUMP							
	Voltage Volts	Max flow rate lt/min	Consumption Amp	Fuse max Amp	Dimensions mm	Ø hose fitting mm	Head m
600592	12	70	4,2	8	203 x 56 x 84	from ¾" to 1" 1/8 - from 19 to 29 from 1" to 1" 1/8 - from 25 to 29 1" 1/8 - 29	4
600594	24	70	3	6	203 x 56 x 84	from ¾" to 1" 1/8 - from 19 to 29 from 1" to 1" 1/8 - from 25 to 29 1" 1/8 - 29	4

#### SPARE PARTS

Spare connector for pumps code 600592 and 600594.

	Type	Thread inches - mm
600577	Straight	from 3/4" to 1" 1/8 - from 19 to 29
600578	Straight	from 1" to 1" 1/8 - from 25 to 29
600579	90° angle fitting	from 1" to 1" 1/8 - from 25 to 29

#### NON-RETURN VALVE

600580 Spare non-return valve for pumps code 600592 - 600594.





### SELF-PRIMING ELECTRIC PUMPS

#### JABSCO SELF-PRIMING BILGE PUMP

Robust diaphragm pump suitable for bilge, shower and sink applications with multi-positionable head.

##### Technical features

Load capacity	16 lt/min
Priming	3 m
Hose diameter	19 and 25 mm
Dimensions	277 x 150 x 111h mm

	Voltage Volts	Consumption Amp
600122	12	8
600124	24	2,5



### ACCESSORIES FOR BILGE PUMPS

#### ELECTROMAGNETIC FLOATING SWITCH

##### Technical features

Consumption	25 Amp
Dimensions	55 x 95,4 x 81h mm

**600930** This new electromagnetic float switch offers superior performance compared to traditional switches: the sensor is designed to activate magnetically, preventing mechanical failures during its function, and its enclosure does not allow large debris to reach the switch mechanism, preserving it from failure and breakage. Durable and easy to install with snap-on removal from the base.



INTERRUTTORE GALLEGGIANTE  
ELETTROMAGNETICO  
ELECTROMAGNETIC FLOAT SWITCH

### "SEAFLO" AUTOMATIC WATER PRESSURE SYSTEM PUMP

#### DIAPHRAGM AUTOCLAVE WITH AUTOMATIC REGULATION OF FLOW RATE AND PRESSURE

Self-priming water pressure pump with automatic regulation of both flow rate and pressure, reducing consumption. Thanks to the presence of the by-pass valve, the pulsating effect is minimized and the pump is much more silent. The water pressure pump has rubber feet against corrosion and noise and a thermal protection on the motor that stops it in case of accidental overheating and **can run dry without reporting any damage**. The diaphragms are made of Santoprene and ensure a quiet and constant flow. It comes complete with filter and hose connectors. **The autoclave pumps are not suitable for livewell tanks and salt water.** Tested in accordance with EU CE and RoHS regulations.



	Model	N° diaphragm	Volts	Load capacity lt/min - GPM	Max power consumption Amp	Blocking pressure PSI - Bar	Dimensions mm
<b>600204</b>	42	4	12	11,3 - 3,0	7,5	55 - 3,8	202,5 x 125 x 111

#### DIAPHRAGM AUTOCLAVE WITH AUTOMATIC REGULATION OF FLOW RATE AND PRESSURE

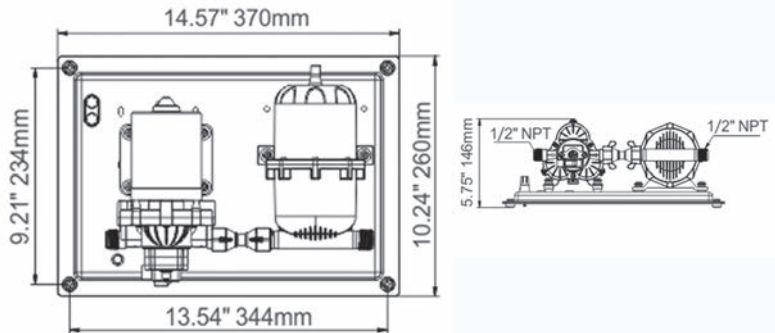
Self-priming water pressure pump with automatic regulation of both flow rate and pressure, reducing consumption. Thanks to the presence of the by-pass valve, the pulsating effect is minimized and the pump is much more silent. The water pressure pump has rubber feet against corrosion and noise and a thermal protection on the motor that stops it in case of accidental overheating and **can run dry without reporting any damage**. The diaphragms are made of Santoprene and ensure a quiet and constant flow. It comes complete with filter and hose connectors. **The autoclave pumps are not suitable for livewell tanks and salt water.** Tested in accordance with EU CE and RoHS regulations.



	Model	N° diaphragm	Volts	Load capacity lt/min - GPM	Max power consumption Amp	Blocking pressure PSI - Bar	Dimensions mm
<b>600207</b>	51	5	12	15,0 - 4,0	13	60 - 4,2	221,5 x 146 x 132
<b>600208</b>	51	5	12	18,9 - 5,5	8	60 - 4,2	221,5 x 146 x 132

### WATER PRESSURE SYSTEM PUMP WITH EXPANSION VESSEL

Water system pump complete with accumulator tank for the best performances, ultra-silent with stable and constant flow. Self-priming capacity higher than the standard one, sufficiently powerful to supply until 3 users. Can run dry without damage with integrated and adjustable pressure switch. Tested in compliance with European legislation CE and RoHS.



CE

	Voltage Volts	Load capacity lt/min - GPM	Priming m	Expansion vessel capacity lt	Blocking pressure PSI - Bar	Consumption Amp	Hose connector	Weight Kg
600300	12	11,3 - 3,0	1,80	0,75	45 - 3,1	11	1/2"	3,2

### FITTINGS FOR PUMPS AND WATER PUMPS

Nylon fittings for Seaflo pumps and pressure pumps.



- 600260 Straight connector diameter 14 mm.
- 600261 Straight connector with 1/2" thread.
- 600265 90° connector diameter 14 mm.

## "MARCO" AUTOMATIC WATER PRESSURE SYSTEM PUMP

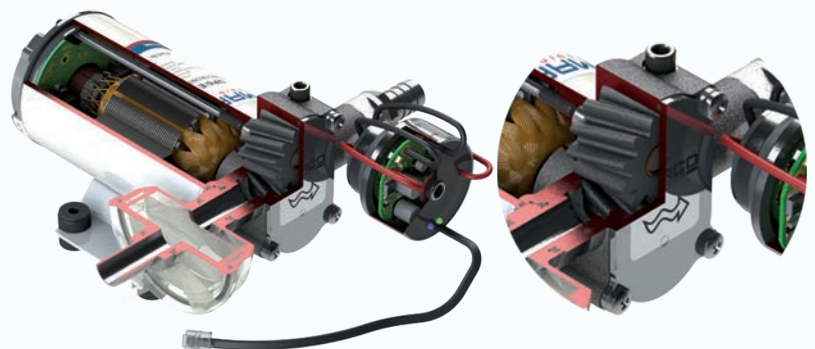
### WATER PRESSURE SYSTEM PUMP WITH ELECTRONIC SENSOR

Self priming electric pump with PTFE helicoidal gears, non return valve and electronic control. Nickel brass body and connectors, STAINLESS STEEL shaft. Can be used as water system pressure pump, shower system for yachts, inflatable boats and campers.



MAIN FEATURES:

- Constant pressure, current and voltage control;
- The engine works progressively to reach the required flow rate;
- Expansion vessel not required;
- Reduced noise.



CE

	Model	Volts	Amp to 12 and 24 V	Load capacity lt/min	Max pressure Bar - PSI	Priming m	Fuse Amp	Ø ports	Filter	Panel
600215	UP 2/E	12 - 24	3 - 1,5	10	2 - 29	1,5	7,5	3/8"	-	-
600216	UP 3/E	12 - 24	6 - 3	15	2,5 - 36	1,5	15	3/8"	YES	-
600217	UP 6/E	12 - 24	10 - 5	26	2,5 - 36	2	20	1/2"	YES	-
600218	UP 14/E	12 - 24	18 - 9	46	2,5 - 36	3	30	3/4"	YES	YES



**"JABSCO" AUTOMATIC WATER PRESSURE SYSTEM PUMP**

**FLOJET-JABSCO "TRIPLEX" WATER PRESSURE SYSTEM**



CE

The "TRIPLEX" self-priming water pressure pump can run dry without damage. The internal bypass ensures a smooth and quiet flow even without a storage tank. Pumps item 600270 and 600272 are supplied with a filter.

	Model	Voltage Volts	Load capacity lt/min	Pressure PSI	Dimensions mm	Weight Kg
<b>600270</b>	TRIPLEX 1.9	12	8	25	152 x 299 x 121	1,59
<b>600271</b>	TRIPLEX 1.9	24	8	25	152 x 299 x 121	1,59
<b>600272</b>	TRIPLEX 2.9	12	11	25	152 x 299 x 121	1,8
<b>600273</b>	TRIPLEX 2.9	12	11	50	152 x 299 x 121	1,8
<b>600274</b>	TRIPLEX 2.9	24	11	25	152 x 299 x 121	1,8
<b>600275</b>	TRIPLEX 2.9	24	11	40	152 x 299 x 121	1,8

**JABSCO WATER PRESSURE SYSTEM PUMP PAR MAX 4 - 5 - 6 HD SERIES**



CE

Water pump with enlarged diameter motor for better pressure capacity and durability. All models are equipped with a quick-connect filter and bypass system that ensures constant flow and quiet operation. Snap-on connections simplify installation and removal.

	Model	Volts	Load capacity lt/min	Pressure PSI	Head m	Filter included	Ø hose connection inches - mm	Consumption Amp	Fuse max Amp	Dimensions mm
<b>600277</b>	PAR MAX 4HD	12	15	40	2,4	in line	1/2 - 12,7	10	15	97 x 239 x 104
<b>600279</b>	PAR MAX 4HD	24	15	40	2,4	in line	1/2 - 12,7	5	10	97 x 239 x 104
<b>600280</b>	PAR MAX 5HD	12	19	40	2,4	90°	3/4 - 19,05	12	20	119 x 244 x 127
<b>600282</b>	PAR MAX 6HD	12	23	40	2,1	90°	3/4 - 19,05	15	25	119 x 259 x 129
<b>600283</b>	PAR MAX 6HD	24	23	40	2,1	90°	3/4 - 19,05	8	15	119 x 259 x 129

**ACCESSORIES FOR AUTOMATIC WATER PRESSURE SYSTEM PUMP**

**WATER FILTERS WITH HOSE CONNECTOR**

Water filters for electric pumps with hose connector.

	Ø hose fitting mm
<b>600296</b>	12
<b>600297</b>	19





**WASHDOWN PUMPS**


CE

**WASHING PUMP WITH ACCESSORIES KIT**
**Technical features**

Voltage	12 Volt
Load capacity	17 lt/min - 4.5 GPM
Blocking pressure	70 PSI - 4,8 bar

**600175** Kit complete with: self-priming wash down pump with automatic regulation both of the flow rate and pressure, 6 mts coiled wash down hose U.V. resistant, 2 mt hose for water inlet, spray nozzle, 2,4 mt cable with cigarette lighter plug and connectors. Easy to use and to transport thanks to its handy carrying case supplied. Thanks to the by-pass valve the pulsating effect is minimized and the pump is much more silent. Ideal for washing boats, livewell tanks, inflatable boats, caravans and mobile homes. **Tested in compliance with European CE and RoHS regulations.**

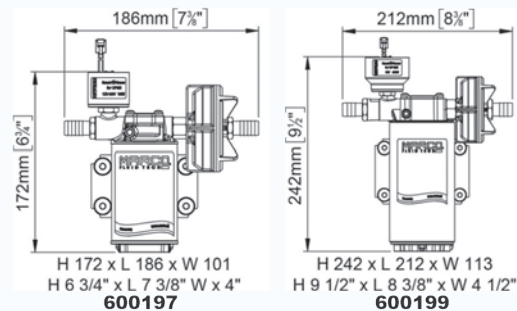


CE

**WASHING DOWN PUMP WITH ELECTRONIC CONTROL**

Wash down kit includes:

- automatic self-priming electric pump, **equipped with helical PTFE gears**, in-line filter, nickel plated brass body and non-return valve.
  - 15 m retractable hose and spray nozzle with quick connection, jet stop, check valve and trigger with flow regulation.
- Recommended for yachts, inflatable boats, sailing boats for washing operations either with salt or fresh water.



	Model	Voltage Volts	Load capacity lt/min	Pressure PSI - Bar	Priming m	Consumption Amp	Engine Watt	Fuse Amp	hose Ø mm	Ø ports	Weight Kg
<b>600197</b>	DP3/E	12/24	14	43,5 - 3	1,5	10	150	15	13	3/8"	4,6
<b>600199</b>	DP12/E	12/24	15	87 - 6	3	24	360	25	13	3/8"	5,5

**OXIGENATORS FOR LIVEWELL**


CE

**PORTABLE OXYGENATOR**
**Technical features**

Load capacity	22 l/min – 350 GPH
Voltage	12 Volt
Consumption	1 Amp
Head	3 m

**600766** Portable aerator pump for oxygenating water in 19 to 113 liter bait tanks. Any container can be fitted with a cut-to-size aerator tube that is about 24 cm long. The package comes with suction cup feet, two clips that connect to the 12-volt battery, and accessories for fixing.

**BATTERY ISOLATORS AND STEP-DOWN TRANSFORMER**


CE

**VOLTAGE REDUCER VRS 16**
**Technical Features**

Maximum output current	12 Amp
Maximum output load	16 Amp
Rated output voltage	13,5 Vdc ± 0,5 Vdc
Universal power supply	20 ÷ 30 Vdc
Max power consumption	11,9 Amp
Dimensions	170 x 105 x 35 mm

**628989** Voltage reducers from 24V to 12V for protection against short circuits, overvoltages and polarity reversals.

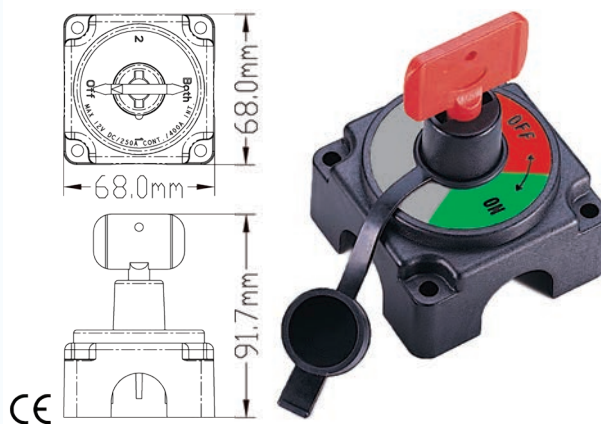
**BATTERY DISCONNECTORS**

**BATTERY DISCONNECTOR WITH KEY**

**Technical features**

Max continuous capacity	250 Amp at 12 V
Intermittent capacity	350 Amp
Max nominal tension	12 - 24 V
Contact bolts diameter	9,5 mm

**630181** Battery disconnecter 2-positions ON/OFF with removable key and protective cover. Made of nylon with key, nickel plated brass studs and silver-plated copper contacts. Compact size, can be fitted both on surface and recessed.



CE

**PLUGS AND SOCKETS**

**STAINLESS STEEL SOCKET**

**630509** 12 V **STAINLESS STEEL** power socket complete with watertight cap and fixing plate.



**DOUBLE USB SOCKET**

Double USB socket, completely waterproof with led light and screw fixing.

● black  
**630526**

○ white  
**630526W**



**RECESSED PLUG AND SOCKET**

**PLUG**

**Technical features**

Dimensions	109 x 109 mm
Hole diameter	85 mm
Depth	107 mm
Total height	122 mm
Protection class	IP44

**640799** Ivory-white 2P+T/16A flush-mounting plug with pull-out aid lever for socket item 640800.

**SOCKET**

**640800** 16A (6h/200-250V) 3-pin ( 2P+T) socket outlet with spring-loaded protective cover. Suitable for recessed plug item 640799.



**CIVIL INDUSTRIAL FEMALE PLUG ADAPTER 2P + T**

**640794** Adapter from civil to industrial female (16A-200-250V). Degree of protection IP44.



CE



## CIVIL INDUSTRIAL MALE PLUG ADAPTER 2P + T

**640796** Adapter from male industrial to Schuko socket +2 (16A-200-250V) bypass. Degree of protection IP44.

CE



## 3-WAY INDUSTRIAL ADAPTOR SOCKET 2P+T

**640797** 3-way industrial adaptor socket (16A-200-250V). Degree of protection IP44.

CE

## DECK POWER SUPPLY PRODUCTS



## MARINCO 32A DOCK POWER CABLE WITH SOCKET

### Technical features

Length 15 m  
Thickness 3,3 mm<sup>2</sup> (12/3)

**641809** Power cable MARINCO (32 A - 220 V) with pre-mounted connector (item 641785) with LED light that indicates power on and protective cover, with straight blade male side.

CE



## DECK TRIPOLAR POWER CABLE

Deck tripolar yellow power cable.  
CE IP 68.

	Thickness mm <sup>2</sup>	cable Ø mm	Volt - Amp	Insulating thickness mm	m
<b>641820</b>	3 x 2,5	11	220 V - 16 Amp	1,6	50
<b>641825</b>	3 x 6	14	220 V - 32 Amp	1,6	50

## SAFETY KEYS



## UNIVERSAL IGNITION CUT-OFF SWITCH WITH FLOATING CABLE

**630393** Normally closed automatic switch-off complete with float cable. The detachable clip inserted keeps the electrical contact open.

## SWITCHES



## STAINLESS STEEL LED BUTTON - WATERPROOF IP65

Waterproof pushbutton with LED light and **STAINLESS STEEL** body.

### Technical features

Voltage 12 - 24 Volt  
Amperage 10 Amp  
Terminals number 4  
Grade of protection **IP65**  
Fastening hole diameter 19 mm

	Colour led	Function
<b>630260</b>	● blue	ON-OFF
<b>630261</b>	● red	(ON)-OFF

CE





**STAINLESS STEEL LED PUSHBUTTON**

Pushbutton with LED light and **STAINLESS STEEL** body.  
Standard wiring including:  
- 1 NC contact  
- 1 NO contact  
- 1 indicator light

	Colour led	Function	Amp	Volts	No. terminals	Wiring	Fastening hole diameter mm
<b>630265</b>	● blue	ON-OFF	10	12	4	as standard	19
<b>630268</b>	● blue	ON-OFF	18	12	6	as standard	22
<b>630269</b>	● red	(ON)-OFF	18	12	6	as standard	22



CE

**LEVER SWITCH**

Lever switches with protective cap.

SWITCH		
	Amp	Function
<b>630342</b>	10	ON - OFF
<b>630345</b>	15	ON - OFF - ON

TOGGLE SWITCH	
<b>630343</b>	Lever 15 ampere ON-ON toggle with protective cap.

COVER	
Rubber cap for switch protection.	
● black <b>630350</b>	○ white <b>630350W</b>



**LIGHTED ROCKER SWITCH**

Lighted ON - OFF rocker switch with 3 connections.  
Equipped with two lights: one that illuminates the user and the other indicates its activation.  
For a perfect finishing and for a single switch panel, plastic bezels are available our items 630311/12/13.

Technical features	
Hole	21,5 x 36,8 mm
Voltage	12 V

	Function	Suggested for	Amp
<b>630275</b>	ON - OFF	---	20
<b>630276</b>	(ON)* - OFF *With return spring	Horns, WC	20



**PLASTIC BEZELS FOR SWITCHES**

- 630311** Bezel for only 1 switch.
- 630312** End bezel right and left side with insert.  
Suitable for mounting 2 switches or to be used as connections to compose control boards with 3 or more switches.
- 630313** Central insert for composing boards with 3 or more switches.



### LED SWITCH WITH INTERCHANGEABLE ROCKER

Switches with interchangeable toggle WATERPROOF IP56 with DOUBLE LED LIGHTING.

Supplied without TOGGLE TO BE ORDERED A PART.

For a perfect finishing forming a single panel with the switches, plastic bezels are available our codes 630311/12/13.

#### Technical features

Max capacity	20 A at 12 V 12 A at 24 V
Hole	21,5 x 36,8 mm

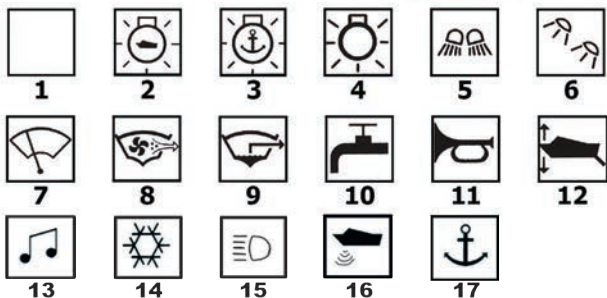
### 2-LED ROCKER SWITCH WITHOUT TOGGLE

One LED illuminates the user's symbol to which the switch is connected for an easy identification and the other illuminates an appropriate gap under the symbol to show when the use is activated.

	Function	N° terminals	Suggested for
<b>631285</b>	ON - OFF	3	---
<b>631286</b>	ON - OFF - ON	4	Bilge pumps (automatic/manual) Navigation light + masthead
<b>631287</b>	(ON)* - OFF *With return spring	3	Horns, WC
<b>631288</b>	(ON)* - OFF - (ON)* *With return spring	4	Hudraulic gangways, windlasses, flaps
<b>631289</b>	(ON)* - OFF - (ON)* *With return spring	6 bipolar	Hydraulic gangways, windlasses, flaps, trim tabs

### 2-LED TOGGLES FOR ROCKER SWITCHES

Toggle description		Toggle description	
<b>631291</b>	1 - Neutral for 2-LED switch	<b>631300</b>	10 - Autodave
<b>631292</b>	2 - Navigation lights	<b>631301</b>	11 - Horn
<b>631293</b>	3 - Anchor lights	<b>631302</b>	12 - Flap
<b>631294</b>	4 - Cabin	<b>631303</b>	13 - Stereo
<b>631295</b>	5 - Cockpit-Platform-Deck	<b>631304</b>	14 - Refrigerator
<b>631296</b>	6 - Courtesy lights - roll bar	<b>631305</b>	15 - Spotlight
<b>631297</b>	7 - Windshield wiper	<b>631306</b>	16 - Fishfinder
<b>631298</b>	8 - Vacuum fan	<b>631307</b>	17 - Anchorage
<b>631299</b>	9 - Bilge pumps		



## WATERPROOF ELECTRIC SWITCH PANELS

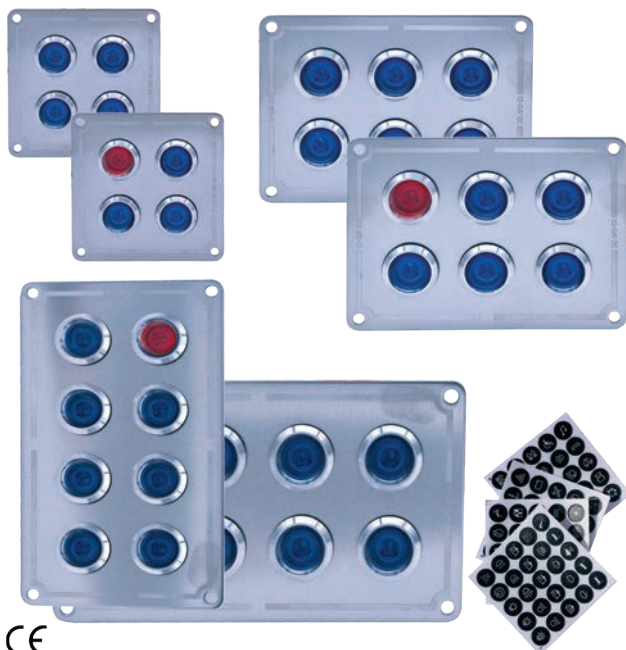
### LED STAINLESS STEEL WATERPROOF IP65 ELECTRIC PANEL

Waterproof electric control panel made of STAINLESS STEEL with LED push-button switches and fuse holder. Complete with adhesive labels for utility identification.

#### Technical features

Voltage	12 - 24 Volt
Amperage	10 Amp
Grade of protection	IP65

	No. switches	Led - Function	Fuse holder	Panel dimensions mm	Flush mount dimensions mm
<b>630557</b>	4	4x ON-OFF blue	2 x 15A	80 x 80	55 x 55
<b>630558</b>	4	3x ON-OFF blue + 1x(ON)-OFF red	2 x 15A	80 x 80	55 x 55
<b>630560</b>	6	6x ON-OFF blue	3 x 15A	110 x 80	85 x 55
<b>630561</b>	6	5x ON-OFF blue + 1x(ON)-OFF red	3 x 15A	110 x 80	85 x 55
<b>630564</b>	8	8x ON-OFF blue	4 x 15A	80 x 140	55 x 115
<b>630565</b>	8	7x ON-OFF blue + 1x(ON)-OFF red	4 x 15A	80 x 140	55 x 115



CE



### DUAL LED PANEL - WATERPROOF IP65

Aluminium waterproof electric control panel with backlit double blue LED rocker switches and adhesive labels for user identification.

#### Technical features

Voltage 12 - 24 Volt

Amperage 20 Amp at 12V – 10 Amp at 24V

Grade of protection IP65

	No. switches	Function	Panel dimensions mm	Flush mount dimensions mm
<b>630627</b>	2	1x ON-OFF + 1x(ON)-OFF	70 x 70	50 x 42
<b>630628</b>	4	3x ON-OFF + 1x(ON)-OFF	124 x 70	105 x 42
<b>630629</b>	6	5x ON-OFF + 1x(ON)-OFF	178 x 70	160 x 42
<b>630630</b>	8	7x ON-OFF + 1x(ON)-OFF	234 x 70	215 x 42



CE

### DUAL LED ELECTRIC PANEL WITH DIGITAL VOLTMETER - WATERPROOF IP65

#### Technical features

Voltage 12 - 24 Volt

Amperage 20 Amp at 12V – 10 Amp at 24V

Function 1x ON-OFF + 1x(ON)-OFF

Grade of protection IP65

Panel dimensions 124 x 70 mm

Flush mount dimensions 105 x 42 mm

**630632** Aluminium waterproof electric control panel with 2 backlit rocker switches with double blue LEDs, digital voltmeter and adhesive labels for utility identification.



CE

### LED ELECTRIC PANEL WITH VOLTMETER AND 2 USB WATERPROOF IP65

Electric control panel in aluminium with blue LED backlit rocker switches and associated resettable thermal devices, composed of

- 5 ON-OFF switches
- 1 (ON)-OFF switch with horn return
- 1 current socket
- 2 USB inputs
- 1 blue LED digital voltmeter

#### Technical features

Voltage 12 - 24 Volt

Grade of protection IP65

Panel dimensions 180 x 110 mm

Flush mount dimensions 165 x 95 mm

#### USB inlet

**630658** 5 Volts / 1.0 Amps - 5 Volts / 2,1 Amps

**630659** 5 Volts / 2,4 Amps - 5 Volts / 2,4 Amps



CE

### LED PANEL - WATERPROOF IP65

Electric control panel made of ABS and polycarbonate with blue LED-backlit rocker switches and associated rearmable thermal devices. Complete with adhesive labels for utility identification.

#### Technical features

Voltage 12 - 24 Volt

Grade of protection IP65

	No. switches	Function	Panel dimensions mm	Flush mount dimensions mm
<b>630664</b>	4	3 x ON-OFF + 1 x (ON) - OFF	130 x 120	100 x 90
<b>630666</b>	6	5 x ON-OFF + 1 x (ON) - OFF	183 x 120	155 x 90
<b>630668</b>	8	7 x ON-OFF + 1 x (ON) - OFF	236 x 120	210 x 90



CE



### ELECTRIC PANEL WITH CONNECTION BAR FOR NEGATIVES - WATERPROOF IP65

ABS electric control panel with blue LED backlit rocker switches, associated rearmable thermal devices and connection bar for negatives. Complete with user identification labels.

#### Technical features

Voltage 12 - 24 Volt

Grade of protection IP65

	No. switches	Function	Panel dimensions mm	Flush mount dimensions mm
<b>630674</b>	4	3x ON-OFF + 1x(ON)-OFF	131 x 120	105 x 85
<b>630676</b>	6	5x ON-OFF + 1x(ON)-OFF	183 x 120	160 x 85
<b>630678</b>	8	7x ON-OFF + 1x(ON)-OFF	235 x 120	215 x 85



CE

### LED STAINLESS STEEL WATERPROOF IP65 ELECTRIC PANEL

Elegant **STAINLESS STEEL** waterproof electric control panel with LED push-button switches. Complete with waterproof gasket, fuse holder and adhesive labels for utility identification.

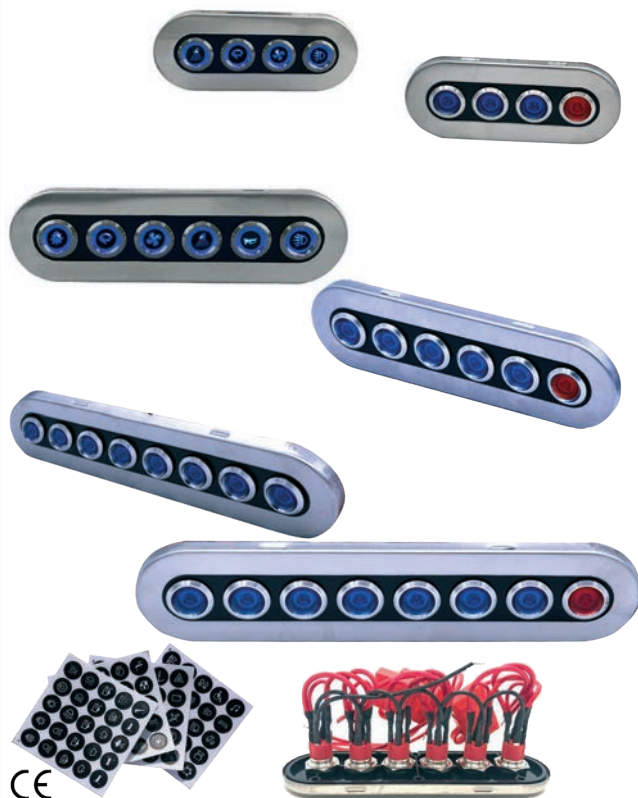
#### Technical features

Voltage 12 - 24 Volt

Amperage 10 Amp

Grade of protection IP65

	No. switches	Led - Function	Fuse holder	Panel dimensions mm	Flush mount dimensions mm
<b>630679</b>	4	4x ON-OFF blue	2 x 15A	130 x 52	105 x 25
<b>630680</b>	4	3x ON-OFF blue + 1x(ON)-OFF red	2 x 15A	130 x 52	105 x 25
<b>630681</b>	6	6x ON-OFF blue	3 x 15A	182 x 52	157 x 25
<b>630682</b>	6	5x ON-OFF blue + 1x(ON)-OFF red	3 x 15A	182 x 52	157 x 25
<b>630683</b>	8	8x ON-OFF blue	4 x 15A	234 x 52	209 x 25
<b>630684</b>	8	7x ON-OFF blue + 1x(ON)-OFF red	4 x 15A	234 x 52	209 x 25



CE

### LED TOUCH CONTROL PANEL - WATERPROOF IP65

ABS and nylon waterproof control panel with touch switches and LED backlighting composed of:

- programmable touch switches
- 1 control box
- connection cable
- installation screws and stickers

Complete with 45 adhesive labels for user identification.

#### Technical features

Voltage 12 - 24 Volt

Amperage for each switch 10 Amp

Total max amperage 40 Amp

Grade of protection IP65

	No. switches	Panel dimensions mm	Flush mount dimensions mm
<b>630686</b>	6	100 x 80	20 x 50
<b>630688</b>	8	130 x 80	20 x 50



CE

**BLUETOOTH WATERPROOF IP65 TOUCH CONTROL PANEL**

**Technical features**

Voltage	12 - 24 Volt
Grade of protection	IP65
Panel dimensions	130 x 80 x 14 mm
Flush mount dimensions	180 x 90 x 30 mm

**630690** Waterproof control panel made of ABS and nylon with **programmable touch switches via BLUETOOTH connection** consisting of:

- 8 switches
- 1 control box
- connection cable (type C) between panel and control box length 2 metres
- Anderson 50A power cable length 50 cm.
- screws and adhesive for installation.

Complete with 100 adhesive plates for utility identification.  
**Possibility to program each switch via mobile phone, customise each individual button, manage multiple panels and monitor voltage.**



CE

**ELECTRIC PANEL WITH IP65 WATERPROOF LED TOUCH SWITCHES**

ABS waterproof electric control panel with LED touch switches: blue (in ON function) white (in OFF function) and associated 10A resettable thermal devices. Complete with 45 adhesive labels for utility identification.

**Technical features**

Voltage	12 - 24 Volt
Amperage	20 Amp at 12V – 10 Amp at 24V
Max amperage	45 Amp
Grade of protection	IP65

	No. switches	Panel dimensions mm	Flush mount dimensions mm
<b>630694</b>	4	150 x 90	135 x 75
<b>630696</b>	6	210 x 90	195 x 75



CE

**FUSES AND FUSE HOLDERS**

**ANL FUSE HOLDER**

Fuse holder made of thermoplastic material with removable protective cover. Use ANL fuses item no. 068703 to item no. 068730.

**Technical features**

Base dimensions	123 x 37 mm
-----------------	-------------

Up to 300 Amp <b>068750</b>	Up to 500 Amp <b>068755</b>
--------------------------------	--------------------------------



### MINIVAL BLADE FUSE

MINIVAL blade fuses.

#### Product's features

Dimensions 11 x 16 x 3 mm



CE

Amp	50 pieces	blister 10 pcs moq 10 blisters	Colour
3	630923	630923B	purple
4	630924	630924B	pink
5	630925	630925B	beige
7.5	630927	630927B	brown
10	630929	630929B	red

## RING TERMINALS AND CABLE LUGS

### ANDERSON CONNECTOR

ANDERSON connector complete with terminals, which can be used in a variety of electrical applications: makes your work much easier as it allows you to connect cables faster, in less space and more reliably.

The price is per piece for no. 1 connector with 2 terminals: for male/female pair order 2 pcs.



	Amperage	Nominal voltage Volts	Dimensions mm
640591	50	600	36 x 48 x 16
640592	120	600	64 x 45 x 21
640593	175	600	56 x 79 x 25
640594	350	600	69 x 108 x 33

### CABLE JOINT FOR BATTERY CABLE



100 pieces	50 pieces	20 pieces	blister 10 pcs	Thickness mm <sup>2</sup>	internal Ø mm	external Ø mm	Length mm
640980	-	-	640980B	6	3,5	5,2	25,5
640982	-	-	640982B	10	4,5	6,5	30
640984	-	-	640984B	16	5,5	7,5	32,5
-	640985	-	640985B	25	7	9,5	35,5
-	640986	-	640986B	35	8,5	11	40,5
-	-	640987	640987B	50	10	13	40,5

### BRASS CLAMP FOR WIRE

Brass terminal for battery cable.



20 pieces	10 pcs.	blister 5 pcs	Cable thickness mm <sup>2</sup>	hole Ø mm
641010	-	641010B	16	8
641012	-	641012B	25	8
641014	-	641014B	35	10,5
-	641016	-	50	10
-	641018	-	70	13

## ELECTRIC WIRES AND BATTERY CABLES

### ELECTRIC WIRE

Copper wire PVC coated.

Flame retardant: CEI EN 60332-1-2.



CE

Cable thickness mm	m	No. Cables 2	No. Cables 3	No. Cables 7	No. Cables 13
1	100	640881	640891	640907	-
1,5	100	640885	640895	-	640913
2,5	100	-	640898	-	-





**COURTESY LIGHTS**

**RECESSED LED COURTESY LIGHT - WATERPROOF IP65**

Semicircular SMD LED courtesy light with downward light direction. Made of plastic with fully epoxy sealed circuitry to resist water, corrosion and vibration.

**Technical Features**

Led numbers	3
Voltage	12 Volt
<b>Grade of protection</b>	<b>IP65</b>
Dimensions	57 x 54 x 11 mm
Recessed diameter	30 mm x 15h mm

Finishing	Light colour	
	○ white	● blue
● chromed	<b>639095</b>	<b>639096</b>
● black	<b>639097</b>	<b>639098</b>



CE

**9-LED ROUND COURTESY LIGHT**

9-led courtesy round light with external 180° or 360° lighting. ABS body and **STAINLESS STEEL** cover.

**Technical features**

Led numbers	9
<b>Power</b>	<b>12 VDC</b>
Power	9 x 0,10 Watt
Thickness	10,5 mm

Light angle	Diameter mm	Led colour	
		○ white	● blue
180°	42	<b>639104</b>	<b>639105</b>
360°	40,1	<b>639106</b>	<b>639107</b>



CE

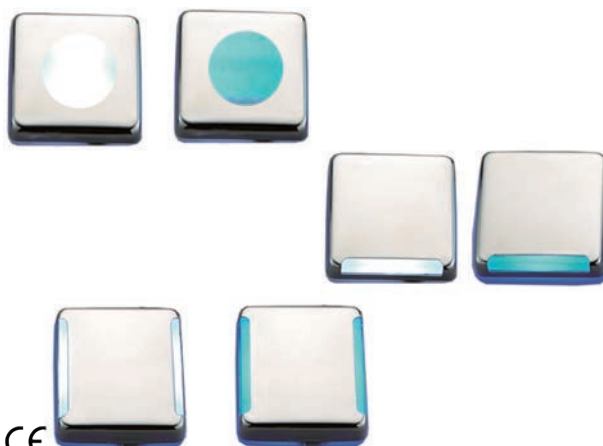
**9-LED SQUARE COURTESY LIGHT**

9-led courtesy square light with side or central lighting. ABS body and **STAINLESS STEEL** cover.

**Technical features**

Led numbers	9
<b>Power</b>	<b>12 VDC</b>
Power	9 x 0,10 Watt
Dimensions	45,3 x 45,3 mm
Thickness	10,5 mm

Light angle	Led colour	
	○ warm white	● blue
<input checked="" type="checkbox"/> central round light	<b>639110</b>	<b>639111</b>
<input type="checkbox"/> lower single light	<b>639113</b>	<b>639114</b>
<input type="checkbox"/> double side light	<b>639117</b>	<b>639118</b>



CE

**OVAL LED COURTESY LIGHT - WATERPROOF IP65**

SDM oval-shaped LED courtesy light with **STAINLESS STEEL** mirror-polished circuit fully sealed in epoxy resin to resist water, corrosion and vibration.

**Technical Features**

Led numbers	3
Voltage	12 Volt
<b>Grade of protection</b>	<b>IP65</b>
Dimensions	75 x 32 x 9 mm
Recessed diameter	19 mm

Frame	Light colour	
	○ white	● blue
<b>STAINLESS STEEL</b>	<b>639121</b>	<b>639122</b>



CE



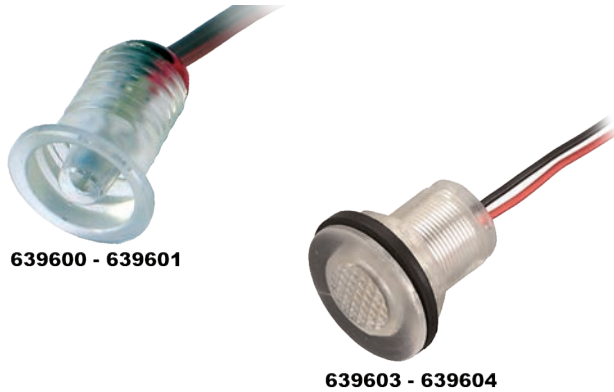
### 6 LED COURTESY LIGHT - WATERPROOF IP65

#### Technical Features

LED numbers	6
Voltage	12 Volt
Grade of protection	<b>IP65</b>
Dimensions	126 x 29 x 12 mm

**639123** 6 LED 12 V surface-mounting light. Polycarbonate body with chrome frame and fully sealed circuit.

CE



639600 - 639601

639603 - 639604

### LED LIGHT

LED light usable also as courtesy light, available in two colours. The single-block case and the resin coating makes it completely watertight so suitable for outdoor use. It can be mounted with adhesive fixing, pressure fixing and with screw and nut.

Suitable to mark or illuminate steps, border, davits, gangways, toilets, cockpits and lockers.

It can be use also as a simple control light.

#### Technical features

Protection class	IP68
------------------	------

white	blue	Voltage	Power Watt	Ø front mm
<b>639600</b>	<b>639601</b>	from 10 to 30 Vcc	0,3 (12 V) 0,6 (24 V)	18
<b>639603</b>	<b>639604</b>	12 Volt	0,2	33

## PLASTIC SPOTLIGHTS AND CEILING LAMPS



### TOUCH CEILING LIGHT - WATERPROOF IP67

#### Technical features

Light	white adjustable
Voltage	12 - 24 Volt
Grade of protection	<b>IP67</b>
External diameter	70 mm
Height	9 mm
Power	2 W

**639982** Highly durable, surface-mounted SDM LED ceiling light with touch switch and adjustable white light. Made of ABS and polycarbonate frame.

CE



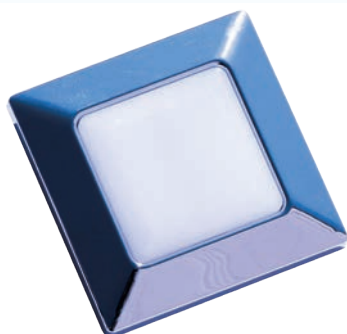
### 12 LED DIMMABLE CEILING LIGHT WITH DOUBLE FRAME

#### Technical features

LED numbers	12
Voltage	10 - 30 Volt
Grade of protection	<b>IP68</b>
External diameter	150 mm
Height	11 mm
Power	4,5 W
Luminous intensity	400 Lumens

**639996** SDM LED ceiling light featuring high durability, low power consumption and high standards of reliability and safety. Made of polyurethane with interchangeable white/silver frame. Surface-mounting with adjustable light effect from 10 to 100%.

CE



### LED SQUARE LIGHT - WATERPROOF IP67

#### Technical features

Light	white
Voltage	12 - 24 Volt
Grade of protection	<b>IP67</b>
Dimensions	70 x 70 x 14h mm
Power	2 W

**639999** Waterproof LED square light with removable bezel, made of aluminium and polycarbonate. Surface-mounting.

CE

**24 LED POLYCARBONATE CEILING LIGHT WATERPROOF IP67**

**Technical features**

Led number	24
Light	white warm
Voltage	12 Volt
<b>Grade of protection</b>	<b>IP67</b>
External diameter	125 mm
Height	30 mm
Power	4,4 W
Luminous intensity	328 Lumen

**640009** Polycarbonate ceiling light with 24 SMD LEDs featuring high durability, low power consumption and high standards of reliability and safety. Surface mounted.



**30 LED CEILING LIGHT LOW PROFILE**

**Technical Features**

LED numbers	30
Light	white
Voltage	12 Volt
External diameter	140 mm
Glass diameter	105 mm
Height	28 mm
Lighting cone	120°
Power	30 x 0,2W
Luminous intensity	180 Lumen

**640011** Indoor ceiling light with 30 SMD LEDs featuring high durability, low consumption and high standards of reliability and safety. Made of UV-resistant plastic material with a transparent dome equipped with a Star View lens designed to widen the distribution of illumination up to 120°. Equipped with a rocker switch and printed circuit board with compliant coating to resist corrosion, vibration and moisture.



**METAL SPOTLIGHTS AND CEILING LAMPS**

**6 LED INDOOR LIGHT**

**DOWN-LIGHT**

**Technical features**

Led numbers	6
<b>Power</b>	<b>12 V</b>
External diameter	65 mm
Recessed diameter	57 mm
Total thickness	14,7 mm
Flush mount thickness	12,4 mm
Colour temperature	Warm light: 3000° K Cold light : 4000° K

<b>Warm light</b>	<b>Cold light</b>
<b>639690</b>	<b>639691</b>

**POWER TRANSFORMER**

**639645** Power transformer SNP15-12VF with a primary 200-240V AC connection and a 12V DC secondary one for maximum 1.25 Amp.

**CONNECTOR**

Connector for the connection of more lights to the same power transformer.

	<b>N. users</b>
<b>639647</b>	4
<b>639648</b>	6
<b>639649</b>	12







### 6 LED CEILING LIGHT - WATERPROOF IP65

IP65 waterproof LED ceiling light with anodised aluminium body and ABS frame. Transparent polycarbonate glass with light pointing downwards with 100° cone to light a wide area. Featuring 6 super-bright, high-power LEDs with fully epoxy sealed circuit to ensure waterproofness  
Surface mount.

#### Technical features

LED numbers	6
Light	white
Voltage	10 - 30 Volt
<b>Grade of protection</b>	<b>IP65</b>
Power	6,5 W
Luminous intensity	450 Lumens

	Finishing	Dimensions mm
<b>639145</b>	white varnished	199 x 33
<b>639146</b>	chromed	303 x 35
<b>639147</b>	chromed w/switch	303 x 35

CE



### 6 LED STAINLESS STEEL CEILING LIGHT WATERPROOF IP67

6-LED ceiling light with **STAINLESS STEEL** mirror-polished ring nut and polycarbonate body. Surface-mounting.

#### Technical Features

LED numbers	6
Voltage	12 Volt
<b>Grade of protection</b>	<b>IP67</b>
External diameter	70,9 mm
Height	9 mm
Power	1,2 W

	Light colour	Luminous intensity Lumens
<b>639692W</b>	white cold	95
<b>639692B</b>	blue	13

CE



### 6 LED STAINLESS STEEL CEILING LIGHT

#### Technical features

LED numbers	6
Light	white warm
Voltage	12 Volt
External diameter	100 mm
Glass diameter	66 mm
Recessed diameter	56 mm
Height	20 mm
Lighting cone	120°
Power	6 x 0,5W
Luminous intensity	180 Lumen

**639695** Ceiling light made of **STAINLESS STEEL** mirror-polished 6 LEDs with clear glass for uniform wide-cone illumination up to 120°. Equipped with toggle switch and printed circuit board with compliant coating to resist corrosion, vibration and moisture.

CE



### 3 LED CEILING LIGHT - WATERPROOF IP66

3-LED ceiling light with **STAINLESS STEEL** and polycarbonate body. Recessed mounting.

#### Technical features

LED numbers	3
Voltage	12 Volt
<b>Grade of protection</b>	<b>IP66</b>
External diameter	70 mm
Recessed diameter	48,7 mm
Height	9,9 mm
Power	3 x 0,2W

	Light	Luminous intensity Lumen
<b>639997</b>	white cold	45
<b>639998</b>	blue	8

CE

**READING AND CHART LIGHTS**

**DIMMABLE LED READING LIGHT**

**Technical features**

Light	white
Voltage	10 - 30 Volt
Base diameter	65 mm
Height	118 mm
Power	3 W
Led angle	60°
Luminous intensity	193 Lumen

**639589** LED reading light with dimmable touch switch, made of brushed aluminium.



CE

**SWIVELLING LED LIGHT**

**Technical features**

Voltage	12 Volt
Consumption	2 Watts
Led colour	white light K 2900-3200
Base diameter	60 mm
Light diameter	34 mm
Height	245 mm

**639590** Adjustable LED light with aluminium body and switch on the base.



CE

**LED READING LIGHT WITH DIMMABLE TOUCH SWITCH**

**Technical features**

Light	white
Voltage	10 - 30 Volt
Base diameter	65 mm
Height	93 mm
Power	1 W
Led angle	60°
Luminous intensity	193 Lumen

**639592** LED reading light with dimmable touch switch, made of aluminium and acrylic with chrome finish.



CE

**LED ARTICULATED LIGHT**

**Technical features**

Voltage	12 Volt
Consumption	2 Watts
Led colour	white light K 2900-3200
Base diameter	60 mm
Light diameter	37 mm
Height	113 mm

**639593** LED light with swivel joint, aluminium body and switch on the base.



CE



### ADJUSTABLE READING LED LIGHT

#### Technical features

Light	white
Voltage	10-30 Volt
Base diameter	45 mm
Bracket length	350 mm
Power	3 W

**639594** Adjustable LED reading light with switch. Brushed and nickel-plated aluminium body with methacrylate reflector.

CE



### DIMMABLE READING LED LIGHT

#### Technical features

Light	white
Voltage	10 - 30 Volt
Base diameter	60 mm
Bracket length	350 mm
Power	1 W

**639596** Dimmable LED reading light with push-button switch, made of brushed and nickel-plated aluminium with methacrylate reflector.

CE

## SIGNALLING LIGHTS

### SIGNAL LED LIGHT FOR BUOYS AND FISHING NET

Flashing light. Equipped with a photocell, working only during the night, while it switches off in the morning.

#### Technical features

Light source 5 ultra bright LED

Light	Light	Voltage	Dimensions mm
○ white	● yellow		
<b>641146</b>	<b>641149</b>	1 torch 1.5 V alkaline	200 x 30
<b>641147</b>	<b>641148</b>	2 torches 1.5 V alkaline	220 x 30



## FLASHLIGHTS

### RECHARGEABLE LED LANTERN WITH BRIGHTNESS SETTINGS

#### Technical features

Voltage	4 Volt - 1,6 Ah (rechargeable battery included)
LED numbers	1 COB x 8 Watt
Brightness	550 lumens maximum intensity 150 lumens medium intensity
Charge time	20/24 hours
Autonomy	Approx 20 hours medium intensity Approx 1 hour of maximum intensity

**641167** ABS Led rechargeable lantern with different brightness settings. Thanks to its design it can be set up a tabletop or hanging lantern with its built in hook. Complete with recharge 220 V cable.







### "DIVING" UNDERWATER LED FLASHLIGHT

#### Technical features

Lighting	1 LUXEON TX WHITE
Voltage	4 AA size (our item n. 641254 included)
<b>Protection</b>	<b>IP6X</b>
Brightness	330 lumens
Autonomy	Approx 4,5 hours
Weight	422 g (with batteries)

**641181** Underwater LED flashlight with wide angle torch lens and reflector for diffused lighting. ABS body with anti-grip external finishing and ergonomic handle to ensure a safe grip underwater. Equipped with big size power switch to operate even with diving gloves and safety yarn thus avoiding accidental loss. Ideal for underwater photography.

**Assetto Positivo**



### RECHARGEABLE "SURVIVAL" LED FLASHLIGHT WITH POWERBANK AND KNIFE

#### Technical features

Lighting	1 LED OSRAM P8
Voltage	Li-Ion 18650 - 3,7 V - 2,2 Ah (rechargeable)
Input/Output USB charge	5V - 1Amp
<b>Protection</b>	<b>IP4X WATERPROOF and water splashes</b>
Brightness	400 lumens maximum intensity 40 lumens medium intensity 400 lumens strobe light
Autonomy	Approx 2,5 hours maximum intensity Approx 13 hours of medium intensity Approx 2,5 hours of strobe light
Dimensions	128 x Ø25 mm

**641184** LED flashlight with aluminium high resistance body. Thanks to its distinctive trait, this flashlight offers three solutions in one object:

- knife with easy-foldable blade made of **STAINLESS STEEL** 85 mm;
- PowerBank 2200 mAh with USB cable for electronic devices recharge;
- LED torch with adjustable intensity and stroboscopic light.

**POWER BANK 2200mAh**



**LUCE STROBOSCOPICA**

### HIGH BRIGHTNESS LED FLASHLIGHT

#### Technical features

LED numbers	1 COB
Voltage	3 AA size (our item n.641254 included)
<b>Protection</b>	<b>IP4X WATERPROOF and water splashes</b>
Brightness	200 lumens
Autonomy	4,5 hours
Light capacity	20 m
Dimensions	195 x 35 mm

**641187** LED flashlight with ABS high resistance body and external finishing "Grip Film" anti-grip and rubber effect. Ideal for hands-free works because it offers the double possibility to hang thanks to the presence of a magnet on the back side for metallic surfaces and a pivoting flush hook.



### "TANGO SLIM" LED COB LIGHT RECHARGEABLE WITH SWIVELING BASE

#### Technical features

LED numbers	1 COB x 5 Watt
Voltage	Li-Ion 18650 - 3,7 V - 1,8 Ah (rechargeable)
Brightness	250 lumens
Autonomy	2 hours approx
Charge time	4 hours approx

**641191** "TANGO Slim" rechargeable LED COB light with magnetic 360° swiveling base and reclinable hanging hook. On the lamp's body there's a push button dimmer switch to adjust the light's brightness and it is equipped with USB charge cable included in the box.



### ADJUSTABLE LIGHTS

#### REMOTE CONTROLLED SPOTLIGHT WITH LED BULB

Remote controlled spotlight with double-stranded bifocal **LED WATERTIGHT BULB**. 380° and 70° up and down rotation. UV resistant ABS case. Supplied with waterproof control panel. Available both 12 and 24 V.



#### SPOTLIGHT

##### Technical features

Power	27 Watt
Lumen	2600
Spot beam	100 m
Depth beam	320 m
Dimensions	210 x 180 x 220h mm

	Volts
<b>638822</b>	12
<b>638824</b>	24

#### SPARE PART

Spare bulb for remote controlled spotlight 638822 - 638824.

	Volts
<b>638823</b>	12 - 24

#### REMOTE CONTROLLED SPOTLIGHT WITH XENON BULB

Remote controlled spotlight with **XENON BULB** ideal for medium / large yachts, thanks to this new lighting technology, the xenon light beam is incredibly white and powerful. 380° and 70° up and down rotation. UV resistant ABS case. Supplied with waterproof control panel. Available both 12 and 24 V.



#### SPOTLIGHT

##### Technical features

Power	55 Watt
Dimensions	260 x 350 320h mm
Load capacity	400 m

	Volts
<b>638832</b>	12
<b>638834</b>	24

#### SPARE PART

Spare bulb for remote controlled spotlight 638822 - 638824.

	Volts
<b>638833</b>	12
<b>638835</b>	24

#### SEARCHLIGHT ADJUSTABLE FROM INSIDE

##### Technical features

Voltage	12 Volt
Power	55 Watt
Light diameter	100 mm
Ext. Height from deck	203 mm
Internal protrusion	130 mm

**638983** Search light with halogen lamp, manually adjustable with handle from under deck or under roll-bar. Horizontal rotation at 340° and vertical (high and low) at 70°. **STAINLESS STEEL** case.



### 24-LED HIGH BRIGHTNESS SPOTLIGHT

24-LED high brightness spotlight, **WATERPROOF IP67**. Made of die cast aluminium with **STAINLESS STEEL** bracket and polymethylmethacrylate lens.

#### Technical features

Led numbers	24
Power	10 - 30 VDC
Protection	IP67
Lighting cone	30°
Consumption	24 x 1W
Power	24 Watt
Luminous intensity	2400 Lumen
Endurance	50.000 hours

● black  
**639015**

○ white  
**639016**



### SEARCHLIGHT FOR ROLL BAR

#### Technical Features

Voltage	12 Volt
Power	55 Watt
Dimensions	117 x 115 x 88 mm

**638952** Spotlight for roll bar adjustable in vertical sense, white ABS with **STAINLESS STEEL** base.



## CHARTING ACCESSORIES

### SAILING AND MOTORBOAT LICENCE

**551312** The book is intended for obtaining the nautical licence **within 12 miles and without any limit from the coast, updated to MIMS Decree No. 323 of 10th August 2021 and including the new topics.**

This edition includes **80 videotutorials**, visible by means of QR codes, which are real little animated lessons, created to explain the most complex topics in the best possible way and to make everything that may seem apparently difficult easier. For the same reason, the topics developed in the manual follow one another in a precise, logical and progressive order that leads the student into the examination topics.

1. HULL - ENGINES - PROPELLER AND RUDDER - MOORINGS AND ANCHORAGES
2. CARTOGRAPHY - MARITIME SIGNALLING
3. CHARTING AND NAVIGATION
4. COLREG 72 - PREVENTION OF COLLISIONS AT SEA
5. SAFETY
6. METEOROLOGY
7. YACHTING AND ENVIRONMENTAL REGULATIONS
8. SAILING





## 777 PORTS AND ANCHORAGES



Publications containing plans for the coast with specified technical information: useful contacts for marine and harbor offices, service points and mooring modes, procurements.  
 Volumes A4 format with colour picture pages and paperback binding.

	Type	Harbours and Anchorages	N° charts	N° nautic plans
551380	IONIAN - ADRIATIC VENICE GULF	From Punta Pellaro (RC) To Valle San Bartolomeo (Trieste)	44	188
551383	TYRRHENIAN SEA - LIGURIAN SEA Flegree and Pontine Islands Tuscan archipelago	From Balzi Rossi (IM) To Reggio Calabria (RC)	100	420
551388	Adriatic Apulia and Tremiti Islands Calabria, Basilicata and Ionian Apulia	Da Bar (BA) To Reggio Calabria (RC)	49	118
551390	SICILY AND ARCHIPELAGOS - MALTA Aeolian - Aegadian - Pelagie Islands	Island circumnavigation	89	400
551393	SARDINIA AND CORSE	Island circumnavigation	107	435
551420	EAST ADRIATIC VOLUME 1	Istria, Dalmatian Coast from Smrika to Zadar, Kvarner Islands, Pag, Zadar Archipelagoes, Sibenik and Kornati	151	486
551421	EAST ADRIATIC VOLUME 2	Dalmatian Coast from Zadar to Molunat, South Dalmatian Islands and Montenegro	358	148
551425	IONIAN GREECE AND ALBANIA	From Velipoje to Capo Maleas and Isole Ioniche	190	559
551426	GREECE from Albanese borders to Antipaxos	Albanian border to the Gulf of Ambracia, Diapontie Islands, Corfu, Paxos and Antipaxos	51	169
551427	GREECE from the Lefkada Channel to Zakynthos	Lefkada Canal at the entrance to the Gulf of Patras, Lefkas, Ithaca, Kefalonia and Zakynthos	59	171



### MARINE BINOCULARS

#### "KONUS ABYSS" BINOCULARS

##### Technical features

Magnification/diameter	7 x 50
Focus	central
Visual field at 1000 m	112 m
Weight	950 gr

**549035** The 'ABYSS' 7x50 binoculars differ from other binoculars due to their original rubberizing and the 'Special Coated' treatment of the optics, specifically designed to counteract reflections from water or snow. The 'Dark Green' lens colour eliminates these reflections and guarantees a sharp view. The central focus and the non-slip rubber coating allows an easy adjustment and a secure grip. Being **WATERPROOF** it is ideal even in the harshest weather conditions, with rain, fog and for activities in humid conditions. Supplied complete with case, straps, lens caps and multilingual instructions.



### WIND SPEED INDICATORS AND AMMETERS

#### WINDEX

**THE MOST RELIABLE WIND DIRECTION INDICATOR MADE IN SWEDEN.**

##### WIND DIRECTION INDICATOR

Windex with diamond suspension to indicate wind direction with maximum precision and smoothness. Complete with reference markers with reflectors visible from below and adjustable on the windward angle. Sensitive to winds as low as 0.1 m/s - wind-tunnel tested up to 140 km/h. Packaged in an elegant display box.

**Particular feature of the DINGHY 6 (item no. 503606) is the universal vertical and horizontal attachment for 45 to 70 mm boom masts.**



Model	Length mm	Suitable for
<b>530606</b> Windex Dinghi 6	150	Optimist, Laser or multi-hull
<b>530609</b> Windex Dinghi	250	Dinghies
<b>530615</b> Windex 15"	380	Boats up to 11 m
<b>530620</b> Windex L	584	Boats up to 16 m

##### BASE

**530630** Bronze base for desk displaying.

##### DOWN-LIGHT

**530635** WINDEX wind direction indicator light. To be mounted directly to the masthead fitting, ideal for "reading the wind" during the night. 12 volts bulb.

### RADIOS AND CASES

#### BOSS MARINE MR632UAB RADIO WITH BLUETOOTH

Marine FM/AM receiver with USB and AUX inputs, placed on the front for an immediate connection and at the same time protected by a rubber cover. Studied for whom is used to do internet streaming with the smartphone, since it includes **Bluetooth** connectivity with A2DP protocol to grant an optimal streaming from Spotify, Pandora, Rhapsody, Google Music, Apple Music, MySpace etc. apps. Moreover it is equipped with voice speaker to efficiently reply to eventual calls even during music listening.

The SD CARD slot is under the removable frame for a better protection of this part.

The stereo was suitably deprived of CD player, to create a completely solid product, that is with no mechanical parts to better counter the marine agents and to ensure a longer life.

##### Technical Features

Compatibility	USB - SD Card - AUX
Power	50 W x 4 channels
Compatibility	ID3 - Tag
Outputs	2 pre amp outputs 2 audio RCA

**629065** Boss Marine FM/AM MR632UAB radio with **Bluetooth** receiver. Wireless remote control included.





### BLUETOOTH BT08 AM/FM, MP3 AND USB RECEIVER

BT08 is a **WATERPROOF** dash stereo with black grill and green backlighting. Circular and innovative design which suits the aesthetic lines of the other control boards instrumentations. Equipped with the universal AUX audio input, compatible with any smartphones and MP3 plays. Thanks to its **Bluetooth** connectivity it's possible to shuffle all the tracks on your smartphone or MP3 player, otherwise you may use the USB port with any player, or the AUX input. Provided with RCA output. USB and AUX are situated on the back of the stereo, but they can be moved onto the console through the optional accessory (item 629570 of our catalogue). Antenna not included (see our item 629098 optional). Supplied with screws, connection cables and mounting bracket.

Tested in compliance with European CE and RoHS regulations.

#### RADIO STEREO

##### Technical Features

Compatibility	USB - BLUETOOTH - MP3 - AUX
Power	40 W x 4 channels
Display	green backlighting
Waterproofness	IP66
Radio external diameter	105 mm
Radio recess diameter	79,9 mm
Radio depth	41 mm

**629535** Bluetooth BT08 AM/FM, MP3 and USB receiver.

#### CONTROL BOARD CABLE WITH AUX AND USB PORT

**629570** AUX and USB port cable to access the USB and AUX ports when they are on the back of the stereo. Length 1 m.



### BLUETOOTH H820 AM/FM, MP3 AND USB RECEIVER

H820 is an in-dash **WATERPROOF** radio with burnished chromed frame and blue backlighting. Circular and innovative design that follows the aesthetic lines of the other dashboard instruments. Provided with universal AUX input compatible with any smartphone and MP3 players. Thanks to its **Bluetooth** connectivity, it is possible to shuffle through all the tracks on your smartphone or MP3 player, otherwise you may use the USB port with any player, or the AUX input. Equipped also with RCA output. USB and AUX are situated on the back of the stereo, but they can be moved onto the console through the optional accessory (item 629570 of our catalogue). Antenna not included (see our item 629098 optional). Supplied complete with screws, connecting cables and mounting bracket.

Tested in compliance with European CE and RoHS regulations.

#### RADIO STEREO

##### Technical Features

Compatibility	USB - BLUETOOTH - MP3 - AUX
Power	45 W x 4 channels
Display	backlighted blue colour
Waterproofness	IP66
Radio external diameter	113 mm
Radio recess diameter	88,12 mm
Radio depth	70 mm

**629536** Bluetooth H820 AM/FM, MP3 and USB receiver.

#### CONTROL BOARD CABLE WITH AUX AND USB PORT

**629570** AUX and USB port cable to access the USB and AUX ports when they are on the back of the stereo. Length 1 m.





## BLUETOOTH H833 AM/FM, MP3 AND USB RECEIVER

H833 is an in-dash **WATERPROOF** radio with chromed frame and blue backlighting. Circular and innovative design that follows the aesthetic lines of the other dashboard instruments. Provided with universal AUX input compatible with any smartphone and MP3 players. Thanks to its **Bluetooth** connectivity, it is possible to shuffle through all the tracks on your smartphone or MP3 player, otherwise you may use the USB port with any player, or the AUX input. Equipped also with RCA output.

USB and AUX are situated on the back of the stereo, but they can be moved onto the console through the optional accessory (item 629570 of our catalogue). Antenna not included (see our item 629098 optional).

Supplied complete with screws, connecting cables and mounting bracket.

Tested in compliance with European CE and RoHS regulations.

### RADIO STEREO

#### Technical Features

Compatibility	USB - BLUETOOTH - MP3 - AUX
Power	45 W x 4 channels
Display	green backlighting
Waterproofness	IP66
Radio external diameter	113 mm
Radio recess diameter	94,5 mm
Radio depth	70 mm

**629537** Bluetooth H833 AM/FM, MP3 and USB receiver.

### CONTROL BOARD CABLE WITH AUX AND USB PORT

**629570** AUX and USB port cable to access the USB and AUX ports when they are on the back of the stereo. Length 1 m.



## BLUETOOTH H301 VIDEO MP4, AM/FM, MP3 AND USB RECEIVER

The best of the range is the in-dash stereo mod. H301: **WATERPROOF** with chromed frame and built-in TFT 3" TFT display. Circular and innovative design that follows the aesthetic lines of the other dashboard instruments. Provided with universal AUX input compatible with any smartphone and MP3 players. Thanks to its **Bluetooth** connectivity, it is possible to shuffle through all the tracks on your smartphone or MP3 player, otherwise you may use the USB port with any player and to watch at the videos MP4 format and AUX input. Provided with RCA output and 1 video in and output.

USB and AUX are situated on the back of the stereo, but they can be moved onto the console through the optional accessory (item 629570 of our catalogue). Antenna not included (see our item 629098 optional).

Supplied complete with screws, connecting cables and mounting bracket.

Tested in compliance with European CE and RoHS regulations.

### RADIO STEREO - VIDEO

#### Technical Features

Compatibility	MP4 Video - USB - BLUETOOTH - MP3 - AUX
Power	45 W x 4 channels
Display	3"
Waterproofness	IP66
Radio external diameter	113 mm
Radio recess diameter	89,50 mm
Radio depth	72,75 mm

**629538** Bluetooth H301 VIDEO MP4, AM/FM, MP3 and USB receiver.

### CONTROL BOARD CABLE WITH AUX AND USB PORT

**629570** AUX and USB port cable to access the USB and AUX ports when they are on the back of the stereo. Length 1 m.



**BRACKETS AND ACCESSORIES FOR ANTENNAS**
**INSTALLATION KIT FOR GPS/FISHFINDER**

**KIT**
**Technical features**

Bracket dimensions	160 x 80 mm
Height	53,5 mm

**629247** Quick release mounting kit, 360° swivelling, that allows the mounting of GPS or Fishfinder. Supplied with fixing screws.

**SPARE BASE**
**Technical features**

Dimensions	60 x 90 mm
------------	------------

**142419** Quick release base for deck or wall mounting.

**GIFTS**
**OUTDOOR WINDPROOF ASHTRAY**


These elegant and practical ashtrays have a weight at the base that makes them very stable as the boat moves. They also have a **STAINLESS STEEL** cap to make it easier for ash to enter the ashtray and at the same time prevent it from spilling out and soiling the table surface. They are made of synthetic leather or imitation suede with decorative screen printing.

**Technical Features**

Diameter	115 mm			
----------	--------	--	--	--

Material	navy blue	camel	flags inserts	water
<b>STAINLESS STEEL</b>	<b>601212</b>	-	<b>601217</b>	<b>601218</b>
imitation leather				
<b>STAINLESS STEEL</b>	-	<b>601216</b>	-	-
suede				

**FLOATING KEY RING**
**FLOATING FENDER-SHAPED KEY RING**

Floating fender-shaped key ring.



	Ø mm	Height mm	N. keys
<b>501971</b>	35	107	2
<b>501972</b>	30	90	1

**TRAY**
**GLASS HOLDER WITH BASE**

**GLASS HOLDER**
**Technical features**

Internal diameter	65 mm
-------------------	-------

**601203** White ABS glass holder with quick release base. Supplied with fixing screws.

**SPARE BASE**
**Technical features**


Dimensions	60 x 90 mm
------------	------------

**142419** Quick release base for deck or wall mounting.

**NORTHWIND SERIES**


**NORTHWIND PLATES SET**

Set of 6 plates made of unbreakable and **ANTISKID** melamine.

Dinner plates set Ø 25 cm	Soup plates set Ø 22,5 cm	Dessert plates set Ø 19 cm	 pieces
<b>544001</b>	<b>544002</b>	<b>544003</b>	6



**NORTHWIND MUGS**

	Type	Ø mm	Height mm	 pieces
<b>544020</b>	MUG	83	90	6
<b>544021</b>	Coffee cup with saucer	65	47	6



**SALAD BOWL WITH CUTLERY SET NORTHWIND SERIES**

**Technical features**

Salad bowl diameter 250 mm

**544006** Set composed of salad bowl and coordinated cutlery.



**NORTHWIND SET OF SERVING PLATES**

**Technical features**

Small oval plate dimensions 300 x 225 mm


Big oval plate dimensions 350 x 255 mm

**544004** Set composed of 2 serving oval plates.



**NORTHWIND NON-SLIP ECOZEN GLASSES**

NORTHWIND anti-slip glass set made of ECOZEN, a new material with the best features: it is extremely hard, almost unbreakable, can go in the dishwasher safely and is also suitable for the microwave. And above all, it looks like crystal!

	Type	Ø mm	Height mm	 pieces
<b>544043</b>	Stackable glass	78	91	6
<b>544045</b>	Wine glass	82	105	6
<b>544046</b>	Flute	75	220	6



**NOTHWIND CUTLERY**

**544018** Set of 24 pieces **STAINLESS STEEL** cutlery with acrylic grip suitable for dishwasher.



**NORTHWIND PLASTIFIED TABLE CLOTH**

Polyester and cotton plastified table cloth.

	Dimensions cm
<b>544025</b>	115 x 100
<b>544080</b>	155 x 130





**VENEZIA SERIES**
**VENEZIA PLATES SET**

 Set of 6 plates made of unbreakable and **ANTISKID** melamine.


Dinner plates set Ø 25 cm	Soup plates set Ø 19 cm	Dessert plates set Ø 20 cm	pieces
<b>544151</b>	<b>544152</b>	<b>544153</b>	6

**VENEZIA CUPS**

 Set of 6 MUGs or espresso cups with saucer in unbreakable and **ANTI-SLIP** melamine.


Type	Ø mm	Height mm	pieces
<b>544160</b> MUG	83	90	6
<b>544161</b> Coffee cup with saucer	65	52	6

**VENEZIA BOWL**
**Technical features**

Diameter 135 mm


**544162** Set consisting of 6 unbreakable melamine bowls and **ANTI-SLIP**.

**VENEZIA SALAD BOWL SET WITH CUTLERY**
**Technical features**

Salad bowl diameter 250 mm


**544156** Set consisting of salad bowl and matching cutlery made of unbreakable and **ANTI-SLIP** melamine.

**VENEZIA SERVING PLATES SET**
**Technical features**

Small oval plate dimensions 300 x 200 mm

Big oval plate dimensions 360 x 250 mm


**544154** Set consisting of 2 oval serving plates made of unbreakable and **ANTI-SLIP** melamine.

**VENEZIA TRAY**
**Technical features**

Dimensions 40 x 30 cm



**544155** Rectangular unbreakable and **ANTI-SLIP** melamine tray .

**VENEZIA CUTLERY**
**544175** 24-piece cutlery set made of **STAINLESS STEEL** with acrylic handle, also suitable for use in the dishwasher.




**PREMIUM BLUE ECOZEN NON-SLIP GLASSES**

Anti-slip glass set made of ECOZEN crystal effect, a new material with the best features: it is extremely hard, almost unbreakable, can go in the dishwasher safely and is also suitable for the microwave.

	Type	Ø mm	Height mm	 pieces
<b>544170</b>	Flute	75	220	6
<b>544171</b>	Wine glass	80	210	6
<b>544172</b>	Water glass	82	105	6
<b>544173</b>	Stackable glass	78	91	6



**NORTHWIND STAIN-RESISTANT TABLECLOTH**

Stain-resistant cotton and polyester tablecloth with innovative resin finish. Waterproof but soft at touch, it does not allow stains to penetrate the fabric.


	Dimensions cm
<b>544082</b>	155 X 130
<b>544083</b>	115 X 100



**HARMONY SERIES**

**HARMONY PLATES SET**

Set of 6 unbreakable melamine plates.

Dinner plates set Ø 27 cm	Soup plates set Ø 20,5 cm	Dessert plates set Ø 21,5 cm	 pieces
<b>544181</b>	<b>544182</b>	<b>544183</b>	6



**HARMONY MUG**

Set of 6 unbreakable melamine MUGs.

**Technical features**

Diameter	84 mm
Height	100 mm

**544190** Set of 6 unbreakable melamine MUGs.



**HARMONY BOWL**

**Technical features**

Bowl diameter	150 mm
---------------	--------

**544192** Set consisting of 6 unbreakable melamine bowls.



**HARMONY SALAD BOWL SET WITH CUTLERY**

**Technical features**

Salad bowl diameter	250 mm
---------------------	--------

**544186** Set consisting of salad bowl and matching melamine cutlery.





### HARMONY SERVING PLATES SET

#### Technical features

Small plate dimensions	300 x 200 mm
Large plate dimensions	360 x 250 mm

**544184** Set consisting of 2 melamine serving plates.



### HARMONY CUTLERY

**544195** 24-piece cutlery set made of **STAINLESS STEEL** with acrylic handle, also suitable for use in the dishwasher.



### ECOZEN PARTY GLASSES

Unbreakable glasses in different colours with non-slip ring at the base. Made of crystal-effect ECOZEN: the most innovative material on the market. Dishwasher- and scratch-resistant.

	Type	Ø mm	Height mm	pieces
<b>544210</b>	Flute	75	220	6
<b>544211</b>	Water or wine glass	80	210	6



### COASTAL STAIN-RESISTANT TABLECLOTH

Stain-resistant cotton and polyester tablecloth with innovative resin finish. Waterproof but soft at touch, it does not allow stains to penetrate the fabric.

	Dimensions cm
<b>544205</b>	155 X 130
<b>544206</b>	115 X 100



### CLEAR TRITAN PARTY GLASSES

Unbreakable glasses with a non-slip base made of Tritan, a high-quality material whose clarity and brilliance give the table the elegance of crystal. Dishwasher-safe and spill-resistant.

	Type	Ø mm	Height mm	pieces
<b>544200</b>	Flute	50	250	6
<b>544201</b>	Wine glass	80	215	6
<b>544202</b>	Water glass	90	100	6

## LOMBOK SERIES



### LOMBOK' GIFT SET

**543904** For modern design and square shapes lovers, this elegant LOMBOK series package consisting of 24 pieces in unbreakable melamine with an exclusive design has been created:

- 6 flat plates
- 6 soup plates
- 6 dessert plates
- 6 stackable, non-slip cups
- 1 zipped bag with shoulder strap.





## LIFE JACKETS MED APPROVED

### LIFE JACKETS MED - IMO MSC 200 (80) APPROVED

Life jackets MED homologated in compliance with RES. IMO MSC 81(70) – MSC 200(80) – MSC 207(81) – LSA CODE AS AMENDED, MARINE EQUIPMENT DIRECTIVE (MED) 2014/90/EU.

The new generation of life jackets produced according to the latest standards in terms of passengers transport, (cruise and ferries) and for goods transport (container, bulk&liquid). Highly performing with a particular design, this product has an excellent floating grade and rotation. Easy to wear and to store on board.

**COMPULSORY ON BOARD OF ALL EUROPEAN COMMUNITY MERCHANT SHIPS.**

	Size	Person weight Kg
<b>496770</b>	Baby	-15
<b>496771</b>	Teenagers	16 - 40
<b>496772</b>	Adults	40+



## FIRST AID KITS

### FIRST AID KIT "A" TABLE



#### Complies with the Decree of March 10, 2022

New first aid equipment table "A" in accordance with Ministerial Decree 10/03/2022 in force from 10/05/2022. Mandatory for:

Kind of use boats	Abilitation	Navigation from coast
<b>Passengers transport</b>	Class C coastal navigation Class B coastal national and international navigation. Class D local navigation	<b>Within 6 miles</b> <b>Within 20 miles</b> <b>Within 3 miles</b>
<b>Fishing</b> <b>Pleasure navigation</b>	<b>Coastal fishing</b> Navigation only in case the boat <b>satisfies three parameters:</b> <ul style="list-style-type: none"> <li>• Navigation without limited distance</li> <li>• competent maritim personnel on board</li> <li>• boat rent</li> </ul>	<b>Within 40 miles</b> <b>Beyond 12 miles</b>

Waterproof bag or floating PPL case water, dust, strikes and bad weather conditions resistant.

Rigid container features:

- certificated hermetic gasket
- pressure release valve
- double step safety closures for easy opening and anti-corrosion nylon pins
- thick anti-shock insides and hinge alongside the whole profile
- double lock.

	Model	Dimensions mm
<b>500277/22</b>	Waterproof first-aid bag "A" table without oximeter	280 x 280 x 600
<b>500278/22</b>	Table "A" first aid kit without oximeter	550 x 430 x 210

## ACCESSORIES

**500281** Oximeter.

### THE CONTENT IS IN COMPLIANCE WITH TABLE "A"

<ul style="list-style-type: none"> <li>• 1 bottle hydrogen peroxide ml 250</li> <li>• 1 neoxidine alcohol- Chlorhexidine 0.5%-ml 500</li> <li>• 10 syringes 10 cc</li> <li>• 5 heating patch cm 10x13</li> <li>• 1 nitrile flat tourniquet</li> <li>• 1 hemostatic belt</li> <li>• 10 hemmed gauze bandages 10 cm high</li> <li>• 10 sterile hydrophilic gauzes cm 18x40</li> <li>• 10 sterile hydrophilic gauze pads cm 20x20</li> <li>• 5 adhesive steri strip sutures mm 6x38</li> <li>• 2 fracture splint</li> <li>• 1 digital thermometer</li> </ul>	<ul style="list-style-type: none"> <li>• 2 packs of instant ice</li> <li>• 1 instant hot pack</li> <li>• 5 adhesive plasters cm 10x6</li> <li>• 1 reanimation balloon</li> <li>• 1 adult oronasal mask cal. 5</li> <li>• 1 child oronasal mask cal. 2</li> <li>• 1 Guedel cannula size 4</li> <li>• 1 Guedel cannula size 3</li> <li>• 1 Guedel cannula size 2</li> <li>• 1 pulse oximeter*</li> <li>• 1 multilingual manual</li> </ul>	<ul style="list-style-type: none"> <li>• 1 Guedel cannula size 0</li> <li>• 1 isothermic blanket</li> <li>• 1 absorbent cotton kg 1</li> <li>• 1 Lister scissors cm 14.5</li> <li>• 5 pairs of copolymer gloves size L</li> <li>• 10 pairs nitrile gloves size M</li> <li>• 1 pack of 10 surgical masks</li> <li>• 1 sharps waste container</li> <li>• 1 sphygmomanometer with phonendo</li> <li>• 1 copy of Ministerial Decree</li> </ul>
---	---	--

The contents are to be completed with the medical specialties listed in Ministerial Decree 03/2022. The purchase is at the expense of the end user.

### REPLENISHMENT KIT CHART "A"

Complies with the Decree of March 10, 2022

**500278KIT** Replenishment kit for cases and bags Chart "A" old regulations.

#### COMPLIANT CONTENTS OF REPLENISHMENT KIT CHART "A"

- |  |  |
|--|--|
| <ul style="list-style-type: none"> <li>• 1 Neoxidine Alcoholic - Chlorhexidine 0.5% - 500 ml</li> <li>• 5 Heating plasters 10 x 13 cm</li> <li>• 5 Bags of 6 sterile steri-strips 6 x 38 mm</li> </ul> | <ul style="list-style-type: none"> <li>• 1 Finger Pulse Oximeter</li> <li>• 1 Minigrip waste bag 20 x 30 cm</li> </ul> |
|--|--|

### REPLENISHMENT KIT CHART "D"

Complies with the Decree of March 10, 2022

**500283KIT** Replenishment kit for cases and bags Chart "D" old regulations.

#### COMPLIANT CONTENTS OF REPLENISHMENT KIT CHART "D"

- |  |   |
|--|---|
| <ul style="list-style-type: none"> <li>• 1 Neoxidine Alcoholic - Chlorhexidine 0.5% - 500 ml</li> <li>• 5 Bags of 6 sterile steri-strips 6 x 38 mm</li> <li>• Isothermal blanket 160 x 220 cm</li> </ul> | <ul style="list-style-type: none"> <li>• Digital thermometer</li> <li>• Finger pulse oximeter</li> <li>• 1 Minigrip waste bag 20 x 30 cm</li> </ul> |
|--|---|

### FIRST AID KIT TABLE "D"



Complies with the Decree of March 10, 2022

New first aid equipment table "D" in accordance with Ministerial Decree 10/03/2022 in force from 10/05/2022. | Mandatory for:

Kind of use boats	Abilitation	Navigation from coast
Fishing	Close-distance coastal fishing Coastal fishing	Within 12 miles Within 20 miles
Pleasure navigation	Boats not included in table "A"	

Available with waterproof bag or with PPL floating case, resistant to water, to dust and bad weather conditions.

Container features:

- hermetic gasket
- automatic pressurization valve
- double step safety closures for easy opening and anti-corrosion nylon pins
- thick anti-shock insides and hinge alongside the whole profile
- double lock

	Type	Dimensions mm
<b>500282/22</b>	Waterproof first aid bag Table "D"	280 x 280 x 600
<b>500283/22</b>	Table "D" first aid kit	464 x 366 x 176

#### THE CONTENT IS IN COMPLIANCE WITH TABLE "D"

- |  |  |  |   |
|--|--|--|---|
| <ul style="list-style-type: none"> <li>• 1 hydrogen peroxide vol. 10 ml 250</li> <li>• 1 adult reanimation bag</li> <li>• 1 adult reanimation mask</li> <li>• 1 child reanimation mask</li> <li>• 1 instant cold pack</li> <li>• 1 tourniquet</li> </ul> | <ul style="list-style-type: none"> <li>• 1 esmarktourniquet</li> <li>• 10 gauze bandages cm 10 h</li> <li>• 2 plasters cm 10x6</li> <li>• 1 cotton wool gr 1000</li> <li>• 1 medication scissors</li> <li>• 1 scissors for cloth slit</li> </ul> | <ul style="list-style-type: none"> <li>• 5 sterile gauze cm 18x40</li> <li>• 5 gauze cm 20x20</li> <li>• 1 pair of sterile latex free grooves size L</li> <li>• 5 pairs of sterile latex free gloves size M</li> </ul> | <ul style="list-style-type: none"> <li>• 1 bag for sharp-edged waste</li> <li>• 1 sphygmomanometer with stethoscope</li> <li>• 1 immobilization stick</li> <li>• 1 first aid booklet</li> </ul> |
|--|--|--|---|

The contents are to be completed with the medical specialties listed in Ministerial Decree 03/2022. The purchase is at the expense of the end user.

## POWDER FIRE EXTINGUISHERS

### POWDER FIRE EXTINGUISHER MED HOMOLOGATED WITH PRESSURE GAUGE

Fire extinguisher with pressure gauge and acetal resin valve for nautic use, powder pressurised, complete with bracket.  
**CERTIFIED in compliance with MED 2014/90/EU and PED 2014/68/EU directive and homologated by Ministry of Interior in compliance with EN3-7:2004** with bilingual italian-english label.

#### CLASS OF FIRE

A = dry material (paper,wood etc.)  
B = liquids (hydrocarbon)  
C = gas (propane, butane)

#### FIRE EXTINGUISHER ITALY HOMOLOGATION

	Capacity Kg	Fire class	Cylinder	pieces
<b>500301</b>	1	5A - 34 BC	aluminium	6
<b>500302</b>	2	13A - 89 BC	aluminium	4
<b>500313</b>	3	13A - 89 BC	steel	4

#### TAG FOR FIRE EXTINGUISHER

**500365** Tag for fire extinguisher.



### MED HOMOLOGATED POWDER FIRE EXTINGUISHER WITH PRESSURE GAUGE AND ALUMINIUM VALVE

Fire extinguisher with pressure gauge and aluminium valve for nautic use, powder pressurised. **CERTIFIED in compliance with MED 2014/90/EU and PED 2014/68/EU directive and homologated by Ministry of Interior in compliance with EN3-7:2004** with bilingual italian-english label.

#### CLASS OF FIRE

A = dry material (paper,wood etc.)  
B = liquids (hydrocarbon)  
C = gas (propane, butane)



#### FIRE EXTINGUISHER

	Capacity Kg	Fire class	Bracket	Fire hose	Cylinder	pieces
<b>500310</b>	1	8A - 34 BC	plastic	-	aluminium alloy	6
<b>500312</b>	2	13A - 89 BC	plastic	-	aluminium alloy	4
<b>500315</b>	6	34A - 233 BC	optional (our code 500316)	yes	steel	1

#### BRACKET

**500316** Steel bracket with s.s. clamp suitable for our item 500315.

#### TAG FOR FIRE EXTINGUISHER

**500365** Tag for fire extinguisher.

## BEACH EMERGENCY EQUIPMENT

### LIFE RING HOLDER FOR LIFE GUARD DISTRICT

#### CONTAINER

**495220** Container for life ring holder designed to be used in beach resorts, swimming pools and marinas.  
Ideal for our "MAGNUM" life ring our item 497021 and our regular rope item 523631.

#### BRACKET

#### Technical features

Height	150 cm
Tube diameter	40 x 60 mm
Base dimensions	300 x 300 mm
Base holes diameter	12 mm

**495221** Bracket made of galvanised steel for lifering holder our item 495220.





### WATERSKIIS

#### "RED SEA COMBO" ADULT WATERSKIIS



SPINERA "SEA COMBO" waterskiis can be used as monoski. The accurate design features a rise for starts in deep water and for controlling the overall balance, allowing fun for both beginners and advanced. Their V-bottom and shaped angles allow stability, granting good carving turns. Complete with adjustable bindings.

#### Technical features

Length 170 cm

Adjustable bindings size EU 37-47

●  
red  
**505015R**

●  
yellow  
**505015Y**

#### "BLUE DANUBE COMBO" JUNIOR WATERSKIIS

#### Technical features

Length 137 cm

Adjustable bindings size EU 33-40

**505020** SPINERA "BLUE DANUBE COMBO" waterskiis are the perfect choice for children. Feature V-bottom and shaped angles for stability and easy deep-water starts. Complete with adjustable bindings. Usable as monoski as well.



## NATIONAL AND NAVIGATION FLAGS

### SIGNAL FLAG

Signal flag 100% polyester bunting.

**On request this flag can be customized.**



Colour	Dimensions				Signal	
	20 x 30 cm	30 x 45 cm	40 x 60 cm	60 x 60 cm	On the sea	On the beach
○ white	<b>501298</b>	<b>501299</b>	<b>501300</b>	-	-	weather conditions safe for bathing
● yellow	<b>501302</b>	<b>501303</b>	<b>501304</b>	-	the boat has to clear custom controls	wind from mainland and presence of lifeguard
● red	<b>501306</b>	<b>501307</b>	<b>501308</b>	<b>501309</b>	-	adverse weather conditions with banned bathing

## ENGINE STANDS

### MOTOR STAND WITH TELESCOPIC AND FOLDING WHEELS

#### Technical features

For outboard engines up to	15 HP
Dimensions open	53 x 52 x 109h cm
Dimensions closed	42,5 x 24,5 x 65h cm
Weight	10,4 Kg

**097030** Folding and telescoping motor stand, sturdy and stable, made of painted steel with pneumatic rubber wheels.



## TOWING WHEELS

### STEEL TYRE WITH SOLID RUBBER

Tyre made of pressed and galvanized steel with solid rubber and hub on roller bearing. Two versions available: with galvanized steel support that swivels on double crown of balls or fixed. Good smoothness, suitable for non-continuous movements.

#### Product's features

Plate dimensions	105 x 85 mm
Hole-to-hole distance	80 x 60 mm
Hole diameter	9 mm

	Model	Ø tyre x width mm	Hub dimensions mm	Load capacity Kg	Total height mm	Pin dimensions mm
<b>095110</b>	Fixed	100 x 30	12 x 40	100	128	20 x 50
<b>095111</b>	Pivoting	100 x 30	12 x 40	100	128	20 x 50
<b>095120</b>	Fixed	125 x 37	150 White Shark 2S	130	153	27 x 60
<b>095121</b>	Pivoting	125 x 37	150 White Shark 2S	130	153	27 x 60



## ACCESSORIES FOR TRAILERS



### AL-KO COUPLING HEADS

#### ABSOLUTE SAFETY WITH IMPROVED DETAILS

AL-KO cast iron coupling head is provided with an automatic safety indicator: if the green indicator is visible when coupled up, the coupling is correctly connected to your towing vehicle. An additional indicator on the coupling handle shows you whether the WEAR LIMIT of your trailer ball or the coupling mechanism has been reached. CE HOMOLOGATED.

	Model	Load capacity Kg	Ø round fitting mm
750209	AK 351	3500	60

### TOWING BALL WITH FLANGE



#### Technical features

Sphere diameter	50 mm
Flange dimensions	125 x 50 mm
Hole-to-hole distance	90 mm

750212 Towing ball with flange.

### LAMPS FOR TRAILERS



	Fig.	Model	Dimensions
751180	A	Side marker with orange reflector	112 x 40 x 25
751183	B	Rectangular side end-outline lamp white/red colour with bracket	128 x 53 x 37
751193	C	Number plate lamp	94 x 52 x 52
751190	D	Number plate lamp	82 x 30 x 33
751185	E	Front white lamp with reflector	65 x 63 x 42
751186	F	Front orange lamp with reflector	65 x 63 x 42

### DISC SPEED LIMIT

Adhesive disc speed limit, homologated.



	Speed Km/h	Ø mm
751117	70	200
751118	80	200

### REAR TRAILER PLASTIC LIGHT BAR WITH LIGHTS

#### Technical features

Length 122 cm



751250 Rear trailer light bar complete with:

- Right lights: position, stop, arrow, license plate light.
- Left lights: position, stop, arrow.
- Reflective triangles.
- 7-pin plug .
- 5 meters central cable.

## ACCESSORIES FOR ORIGINAL ELLEBI TRAILERS

### BRAKE CABLE COUPLING

Brake cable coupling for AL-KO and KNOTT brake cable.




	For cables
750907	AL-KO
750908	KNOTT



## FISHING PRODUCTS

### NYLON NEEDLES FOR NETS

	Dimensions mm	 pieces
644700	120 x 10	10
644702	150 x 12	10
644703	175 x 13	10
644704	210 x 15	10
644705	230 x 17	10
644706	250 x 20	10
644707	280 x 23	10



### STAINLESS STEEL ROD HOLDERS

#### ADJUSTABLE S.STEEL ROD HOLDER

##### Technical features

Rod holder's internal diameter	42 mm
Rod holder length	250 mm
Total length	655 mm
Side rod holders inclination	20°
External diameter of inserting pipe	38 mm

**142295** STAINLESS STEEL 3-rod rack 360° adjustable with strap and safety snap hook.



#### HANDRAIL ROD HOLDER MADE OF STAINLESS STEEL AISI 316

**142297** STAINLESS STEEL AISI 316 rod holder with adjustable clamp, suitable for handrail mounting.



#### S.STEEL WALL ROD HOLDER

##### Technical features

Internal diameter	42 mm
Total length	250 mm

**142287** STAINLESS STEEL AISI 316 rod holder for wall mounting complete with 2 mounting brackets.



### ABS FISHING ROD HOLDERS

#### NYLON FLUSH MOUNT ROD HOLDER

##### Technical features

Internal diameter	42 mm
External diameter	48 mm
Superior base	95 x 120 mm
Total length	240 mm

**142278** Black reinforced nylon rod holder with 60° angle. Complete with cap with rubber gasket.



### ADJUSTABLE AND REMOVABLE ROD HOLDER



#### Technical features

Internal diameter	33 mm
Fixing base dimensions	100 x 51 mm

- 142416** Reinforced nylon rod holder with rod clamp. Swivels 360° horizontally and 90° vertically with quick and removable coupling system at the fixing base.

### DOUBLE REGULATION ROD HOLDER

#### FISHING ROD HOLDER

#### Technical features

Internal diameter	50 mm
Length	225 mm

- 142418** Nylon high resistance rod holder with rod lock ring, quick release base and mounting screws. Equipped with double adjustment: pivoting at 360° horizontally and 90° vertically.

#### SPARE BASE

#### Technical features

Dimensions	60 x 90 mm
------------	------------

- 142419** Quick release base for deck or wall mounting.



### BASE

#### Technical features

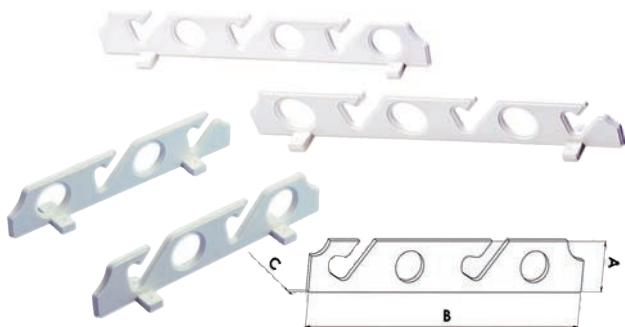
Dimensions	60 x 90 mm
------------	------------

- 142419** Quick release base for deck or wall mounting.



### WALL MOUNT FISHING ROD HOLDER

Wall mounting rod holder in white PVC.  
Pack with 2 pieces.



	N. of seats rod holder	A mm	B mm	C mm	Ø mm
<b>142424</b>	4	73	380	19	42
<b>142426</b>	6	73	560	19	42

### MOUNT WITH QUICK RELEASE BASE

#### BRACKET

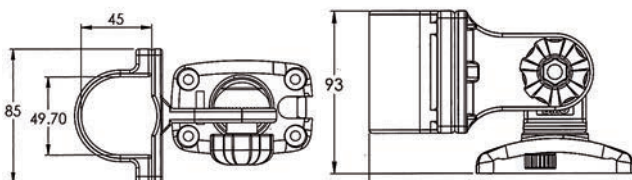
- 142405** Mount with quick release base for rod holder's installation. Supplied with fixing screws.

#### SPARE BASE

#### Technical features

Dimensions	60 x 90 mm
------------	------------

- 142419** Quick release base for deck or wall mounting.





### LURE RACK WITH SUCTION CUPS MOUNT

#### Technical features

Length	306 mm
Width	59 mm
Height	81 mm

**644750** Lure rack with suction cups for wall mounting.



### LURE RACK WITH QUICK RELEASE MOUNT

#### Technical features

Length	306 mm
Width	58,5 mm
Height	83,1 mm

**644751** Lure rack with suction cups and quick release for wall mounting.



## STAINLESS STEEL CLASP KNIVES AND MULTIPURPOSE ACCESSORIES

### FLOATING KNIFE

#### Technical features

Blade length	90 mm
Total length	215 mm

**648130** Floating knife with **STAINLESS STEEL** blade and yellow polypropylene handle.



## QUICKSILVER OIL FOR 4-STROKE OUTBOARD ENGINES

### QUICKSILVER SYNTHETIC OIL FOR 4-STROKE OUTBOARDS

Specially formulated for outboard engines for best performance, reliability and long-term running.

**New formula to reduce barrel wear and scratching, prevent rust and prevent the formation of unwanted foam.**

A viscosity-enhancing agent makes it easy to start the engine at both low and high temperatures, thus ensuring long engine life.

SAE 10 W-30.

	lt.	pieces
<b>439771</b>	1	6
<b>439774</b>	4	3



## MOTUL 4-STROKE OIL

### MOTUL 4100 POWER 4 STROKE OIL

#### TECHNOSYNTHÈSE FOR INBOARD AND I/O 4 STROKE ENGINES

Lubricant developed for high-performance 4-stroke engines, Diesel and gasoline, naturally aspirated or turbocharged, multi-valve, with carburetor or fuel injection, with or without catalytic converter.

Suitable for all types of fuel: gasoline with or without lead, ethanol, LPG and Diesel.

Standard API SL/CF and ACEA A3/B4.

SAE 15 W-50.

	lt.	pieces
<b>438891</b>	1	12
<b>438895</b>	5	4





## MOTUL SPECIAL OILS



### TRANSLUBE EXPERT

#### TECHNOSYNTHESE OIL FOR PROPELLER BOXES

Technosynthese® lubricant specially formulated to lubricate outboard big engine high loaded propeller boxes operating at low revolution speed, or moderate loads and high revolution speed. Formula reinforced with "extreme pressures" additive for an effective anti-wear protection, better resistance to high temperatures, extended lifetime and synthetic base stocks to increase oil film resistance even in the most extreme conditions. Anti-corrosion, anti-foam, high anti-emulsion properties.

Standard API GL-4 / GL-5 MIL-L-2105D.

SAE 75 W-90.

**439251** Motul Translube Expert 1 lt.  
12 pcs package.



### PUMP FOR DRIVESHAFT OIL TRANSFER

**600426** Hand pump with ring nut that can be screwed directly onto the engine crank case, complete with adapter for both US and European thread and 3 fittings (3/8" - M8 - M10) compatible with any 2- and 4-stroke outboard, Volvo SX, Mercruiser, OMC and OMC Cobra stern drives.

## GREASES, LUBRICANTS AND ANTICORROSIVES



### DEOXIDANT FOR ELECTRICAL CONTACTS

#### IT REMOVES CARBON DEPOSITS

Deoxidant that acts up to micropores, eliminating dust, ashes, carbon adhesions and oxides. It allows to keep the contacts in good conditions of efficiency by reducing sparking, cratering, electrical resistance and voltage drop.

**To be used on non-live circuits.**

**440360** Deoxidant for electrical contacts 250 ml.  
12 pcs package.

## ENGINE MAINTENANCE



### STABILIZER

#### ADDITIVE FOR FUEL CONSERVATION UP TO 24 MONTHS

Fuel preservation additive which is added directly to gasoline. Thanks to its multifunctional formulation it is suitable for protecting petrol from oxidation, preventing the formation of gum inside the carburetor making it easier to start after winter shutdown, it also prevents the formation of deposits in the injection system, injectors, carburetor, combustion chamber and on the valves, it also cleans the valves bringing the engine back to its initial performance.

Recommended for 2 and 4-stroke gasoline engines, motorbikes, gardening, etc.

**439128** Stabilizer 250 ml.  
12 pcs package.



### SHIELD

#### PROTECTIVE FOR MARINE ENGINES

Nanotechnological protective agent for inboard and outboard (under cowl) marine engines, mechanical and electrical components and sleeves. An anti-humidity, anti-salt, water-repellent and antistatic lubricant. The use of SHIELD, protects all treated parts over time, keeping them always as new and preventing deterioration because it creates a protective barrier for at least 12 months.

**439120** SHIELD 200 ml.  
Packing 15 pcs.



### VISION WINTER

#### WINTER WINDSHIELD FLUID -20°C.

Winter windshield fluid ready to use, recommended for ice protection until -20°C.  
Methanol-free formula : cleans and degreases improving visibility and preventing limescale.  
It dries quickly.  
Compatible with rubber, varnishes and with windshield wipers rubber.

**439141** Vision Winter 5 lt.  
Pack 4 pcs.



## PROTECTIVES AND BRIGHENERS FOR INFLATABLE BOATS

### NO STICKY

#### FILMING AGENT FOR STICKY INFLATABLE BOATS

Specific nano-polymer product to remove the stickiness of degraded neoprene and pvc fabrics, also ideal for fenders and cushions.  
Antistatic, anti-aging, prevents the formation of mildew.  
Before applying NO STICKY to the surface, thoroughly remove the mildew with NEW MAGIC (item 431005) and remove any mold stains with SHMUFFEX (item 430973), then apply NO STICKY evenly to the dry inflatable boat.



	250 ml	pieces
<b>431016</b>	250 ml	15
<b>431017</b>	1 lt	15

### NEW GUM SPRAY PROFESSIONAL

#### SPRAY WAX FOR INFLATABLE BOATS WITH NANO TECHNOLOGY SYSTEM

Polishes and protects all inflatable boat surfaces from UV rays, both neoprene and PVC fabrics. Does not cause thickness, does not yellow.  
High performance, long lasting.

**431011** New Gum Spray Professional 600 ml.  
Packing 24 pcs.



## CLEANING AND POLISHING

### SCHUTZ 1

#### ABRASIVE MORDANT GEL

Water-based abrasive mordant gel with Nano Technology, silicone-free. Easily removes scratches and dullness, making gelcoat shiny and scratch-free. Also excellent on **STAINLESS STEEL** and chrome plating.

**432001** Schutz 1 1 Kg.  
Packing 15 pcs.



### SCHUTZ 2

#### ABRASIVE GEL

Water-based, silicone-free abrasive gel. Easily removes scratches and halos, making gelcoat shiny. Also excellent on **STAINLESS STEEL** and chrome plating.  
Protects gelcoat for a long time thanks to the Schutz Nanotech system.

**432002** Schutz 2 1 Kg.  
Packing 15 pcs.





## SCHUTZ 3 ANTIHALONE GEL

Water-based, silicone-free antialone gel. Easily removes halos and polishing imperfections, making gelcoat shiny as new. Also excellent on **STAINLESS STEEL** and chrome. Protects gelcoat for a long time thanks to the Schutz Nanotech system.

**432003** Schutz 3 1 Kg.  
Packing 15 pcs.

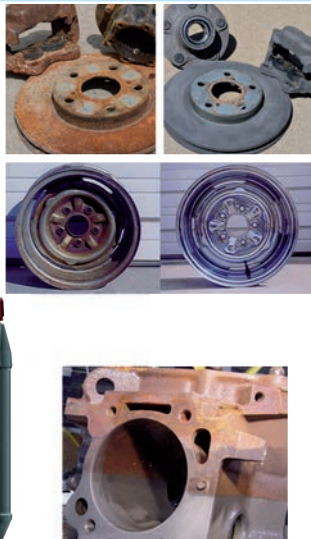


## DISOX

### POLISHING CREAM FOR STAINLESS STEEL, METAL AND GELCOAT

Lightly abrasive, fast-acting cream for cleaning and renewing **STAINLESS STEEL** parts, metals and gelcoats while keeping surfaces as good as new.

**440470** DISOX 250 ml.  
Packing 15 pcs.



## EVAPO RUST WATER-BASED ANTI-RUST

**EVAPO-RUST® rust remover is a water-based product that effectively removes even the hardest rust down to bare metal without scrubbing or sanding.**

It is extremely easy to use: no sanding or rubbing required, just let the rusted part soak in EVAPO-RUST® and even the deepest rust will disappear. Not only it is highly effective against rust, but it is also safe to use and environmentally friendly, unlike many other rust removers on the market.

- Non-toxic - Non-corrosive - Non-caustic
- Reusable with long-lasting effectiveness
- Does not release smokes or smells, water-soluble
- Non-flammable and contains no VOCs
- Does not damage non-rusting steel and is safe on other metals
- Does not affect plastics, PVC, Viton and most paints
- Ready to use. Just soak, rinse and reuse!

**440471**  
**440475**



lt.

1

5



pieces

6

2

## DETERGENTS FOR DISHES - LAUNDRY - GLASSES - MOQUETTE AND BODY



## IOSSO ANTIMOLD "RAFT MOULD" ELIMINATES MOLD STAINS

Removes mold stains from any rinseable surface such as inflatable boats, fiberglass, faux leather, etc.

Spray on the stained surface and wait, without scrubbing, until the stain is completely removed.  
Rinse with water.

**430971** "Raft Mould" 750 ml.  
12 pcs package.



## BIO SHOWERSHAMPOO BOTH WITH FRESH AND SALT WATER

Shower Shampoo for men/women/children. Gently cleanses all skin and hair types. Respects the environment.

Man	Woman	Baby
<b>430001</b>	<b>430002</b>	<b>430003</b>



pieces

12



TEAK MAINTENANCE

**NANO TEAK PLUS  
WATER-REPELLENT PROTECTIVE**

Nano Teak Plus is a water-repellent protectant with exceptional properties for teak and marine woods, oil-, silicone- and solvent-free. Thanks to hydrophobizing nano-molecules, they allow teak to breathe without getting wet, preventing deterioration. The product provides long-lasting protection from UV rays, saline, weathering, does not grease, does not make the surface slippery, does not give off unpleasant smells, does not alter the original color of teak, and does not affect the caulking.

**431066** Nano Teak Plus 500 ml.  
Packing 15 pcs.



**SYNTEAK ECO  
ECO-FRIENDLY CLEANER FOR SYNTHETIC TEAK**

An environmentally biodegradable detergent, formulated with plant-derived surfactants, for frequent cleaning of synthetic teak decks. Degreases, cleans and removes any stains without drying or damaging synthetic teak, rubbers, plastics, gel-coat and metals.

**478231** Syntek Eco 1 lt.  
12 pcs package.



BRUSHES, BUCKETS AND SPRAYERS

**COMFORT WASH PAD**

Technical Features

Dimensions 245 x 135 mm

**595456** The "Comfort Wash Pad" is the new high quality microfiber pad that attracts and removes stain protecting the surfaces. It is composed of different types of microfiber:  
- Long pile side in chenille microfibre for a deep and accurate initial wash, optimal as a first step to deal with the most stubborn dirt and remove it from small cracks and all bodywork.  
- Short pile side ideal for general dirt and wash finishing, consisting of thousands of fine fibres capable of holding a large amount of water/shampoo solution.  
Packing 12 pcs.



ACCESSORIES FOR MAINTENANCE

**ROLLER FOR ANTI FOULING APPLICATION**

Microfiber roller frame with anti-drop high absorbency handle.

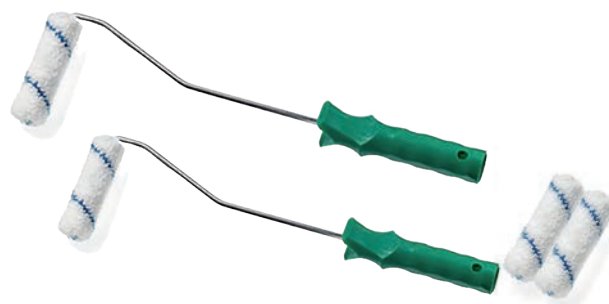
FRAME WITH NAP ROLLER

	Roller length mm
<b>472561</b>	100
<b>472562</b>	120

SPARE ROLLER

Spare nap rollers sold in pair.

	Roller length mm	pc
<b>472565</b>	100	2
<b>472566</b>	120	2



### MARINE GLUES AND RESINS

#### PARAFFIN



Paraffin is used in addition to a gelcoat or a resin, to reduce external surface oxidation which makes the fiberglass product "sticky" even after complete polymerization. Adding paraffin to the gelcoat requires a good shaking for a correct dispersion of the material. For a correct use it is recommended to add it to a gelcoat in the maximum percentage of 2% in order not to deteriorate its characteristics. In winter and in general when the temperature is very low, it is advisable to shake the paraffin solution before using it.

500 ml  
478992

1 lt  
478993

#### GELCOAT SPRAY GELCOAT FOR RETOUCH



High density special paint, in a handy spray can, for quick retouch of FRP parts treated with gelcoat and polyester resin. It restores the treated parts and allows an excellent and fast coverage, does not drip.

White cream  
478999

Pure white  
479000

ml  
400

pieces  
12

### ADHESIVE AND ANTI-SLIP TAPES

#### RIFÀTTUTTO TAPE RESISTANT LIKE STEEL IN A FEW MINUTES



Fiberglass cloth and polyurethane tape, for emergency or definitive rigid repairs. It hardens in 15/30 minutes and once completely polymerized, it can be pierced, sanded, grinded, polished and painted. It sticks to any material: metals, cast iron, wood, glass, stone, marble, plastic, rubber, ceramic, PVC, polyester, nylon, fiberglass and cement (even between different material). Resistant and stable until 150° C.

##### Technical features

Tape height 5 cm  
Tape length 60 cm

**461100** Rifattutto Tape, composed of:  

- 2 fiberglass bandages
- 1 vinyl tape
- 1 pair of gloves
- Sand paper

 12 pcs package.

#### RIFÀTTUTTO STEEL REINFORCED EPOXY SEALANT



Bi-component epoxy steel-reinforced sealant for universal use, easy to use thanks to its ready-to-use dosage. It seals, moulds, glues, reconstructs, repairs, fills, plasters, **it hardens even underwater, in a few minutes**: wood, stone, plastic, metal, PVC, ABS, cement, ceramic, glass, cast iron, fiberglass, aluminium, nylon, marble etc. When hardened RIFÀTTUTTO can be pierced, sanded, polished, planed, cut and painted, thus offering and optimal resistance to solvents, fuel, salt water, saline fog and humidity.

**461101** Rifattutto 56 g. sealant.  
12 pcs package.

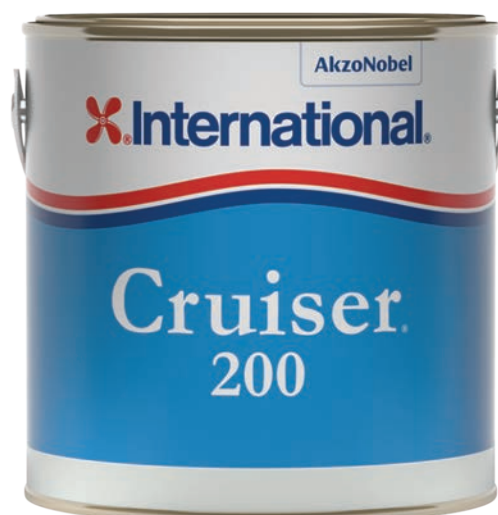


## INTERNATIONAL ANTIFOULING

### CRUISER 200

#### ERODENT ANTIFOULING FOR FRESH AND SALT WATER

Cruiser 200 is an effective antifouling against vegetation, silt, algae and marine organisms in both fresh and salt water. Suitable for both FRP and aluminum sail and motor boats; also recommended for stern feet, shaft lines, propellers and outboards. The erodent technology prevents paint buildup and provides up to one year of protection.



### HOW AND WHEN TO USE CRUISER 200

<b>Compatibility</b>	Suitable for all supports, including aluminum
<b>Application</b>	Brush, roller and spray
<b>Number of coatings</b>	<b>Brush/roller:</b> apply 2 dry 50-micron coats for seasonal protection (total dry film thickness of 100 microns) <b>Spray:</b> apply 1 coat 100 microns dry for seasonal protection (total dry film thickness of 100 microns) In all cycles, apply an extra coat in areas that are subject to increased wear such as rudders, stern drives, keel, shoreline, etc.
<b>Practical coverage</b>	9 m <sup>2</sup> /lt by brush/roller, 3 m <sup>2</sup> /lt by spray (method for professional use only)
<b>Launch</b>	min. 8 hours - max 6 months at 23°C min.12 hours - max 6 months at 15°C
<b>HULL'S MATERIAL</b>	<b>TREATMENT</b>
Bare Grp	Prime with Gelshield 200 for osmosis protection
Aluminum/Light alloys/Galvanized metals	Use INTERPROTECT or PRIMOCOCON primer.
<b>EXISTING ANTIFOULING</b>	<b>TREATMENT</b>
In good conditions	Wash under high pressure (3000 psi/207 bar) with fresh water and/or roughen and wet sand with 80120 grit paper to completely remove all pollutants and vegetation, including the leach layer. Do not sand dry.
In bad conditions	If the old antifouling is incompatible or unknown, isolate with PRIMOCOCON. Remove antifouling with INTERSTRIP

### CRUISER 200 ANTIFOULING

white	black		
477181	477185		
477182	477186	750 ml 2,5 lt	6 2

### PRIMER

	Item		
477400	Primocon		
477401	Primocon	2,5 lt	2
477421	Interprotect	750 ml	6
		750 ml	6

### THINNER

Thinning not recommended.

	Item		
477353	Thinner n. 3		
		1 lt	6

### OTHER PRODUCTS

	Item	Colour		
477360	Interstrip paint stripper	-		
477751	Gelshield 200 anti-osmosis	● grey	1 lt	6
477761	Gelshield 200 anti-osmosis	● green	750 ml	6
			750 ml	6



# GIBELLATO FORNITURE NAUTICHE



ORDINI VELOCI ED AFFIDABILI  
USA LA CORSIA PREFERENZIALE !  
ORDINA ON-LINE [www.gfn.it](http://www.gfn.it)

BATTELLI  
MOTORI

ANCORAGGIO  
ORMEGGIO

ATTREZZATURE

FERRAMENTA

ELETTRICITA'  
SEGNALAZIONE

ELETTRONICA  
STRUMENTAZIONE

ARREDO  
OGGETTISTICA

SICUREZZA  
SPORT

OLII  
COLLANTI VERNICI  
DETERGENTI

TAPPEZZERIA  
CORDAME

SISTEMI DI  
COMANDO e GUIDA

COMPLEMENTI  
MOTORE

ELETTRODOMESTICI  
SANITARI  
IDRAULICA POMPE







**G.F.N. s.r.l.**

Via Frattina, 3  
**35011 CAMPODARSEGO**  
(PADOVA) - ITALY  
Tel. (+39) 049 9200196 r.a.  
Fax (+39) 049 5564050  
e-mail: [info@gfn.it](mailto:info@gfn.it)  
**[www.gfn.it](http://www.gfn.it)**